

# **MITSUBISHI DIESEL ENGINE**

## **PARTS LIST**

**ENGINES**      **K4C**  
**K4D**  
**K4E**  
**K4F**

**'88-12**

**MM201422**



**MITSUBISHI**  
**HEAVY INDUSTRIES**

## **MITSUBISHI GENUINE PARTS**

"MITSUBISHI GENUINE PARTS" are superior and reliable because they have been produced under the excellent quality-control system, and have passed the standard after strict inspections.

Imitation parts are not recommended from the viewpoint of their material and manufacturing method which are entirely incomparable with those of genuine parts.

A large assortment of "MITSUBISHI GENUINE PARTS" is always available at any of our authorized dealers so do your purchasing at your nearest dealer by specifying "MITSUBISHI GENUINE PARTS."

## HOW TO USE PARTS LIST

1. This Parts List covers all service parts of Mitsubishi Model K4C, K4D, K4E, K4F Diesel Engine.

Details engine model:

Engine Model	Use	Engine Model	Use		
K4C	-61A	For industrial use (STD Model)	-62SDG	For generator	
	-61JC	For bus cooler	-62WM	For sailing boat (3600rpm)	
	-61SA	For SAMOFA	-61A	For industrial use (STD Model)	
	-61SS	For sailing boat	-61DA	For distributor (1800rpm)	
	-61WH	For hof track	-61DM	For sailing boat	
K4D	-61A	For industrial use (STD Model)	-61EM	For marine	
	-61AG	For generator	-61ES	For power shovel	
	-61DA	For distributor	-61RA*	For sailing boat	
	-61FT	For tractor	-61SA	For SAMOFA	
	-61KL	For loader	-61SC	For bus cooler	
	-61MS	For shovel	-61SM	For marine	
	-61PA	For ANI perking	-61TC	For compressor	
	-61SA	For sailing boat	-62DA	For distributor (3000rpm)	
	-61SDG	For generator	-61TM	For marine	
	-61SM	For marine	-61WH	For hof track	
	-61SS	For sailing boat	K4F	-61WM	For sailing boat (1800rpm)
	-61ST	For Tractor		-62WM	For sailing boat (3600rpm)
	-61TM	For marine		-61A	For industrial Use (STD model)
	-61WM	For sailing boat		-61DA	For distributor (3000rpm)
	-62DA	For distributor			

2. These parts listed in the list are divided into group, main and sub, in accordance with their order of construction.
3. The "Key No." indicates a code number led out by the arrow pointing to the part illustrated in each figure.
4. The quantity of the parts are listed in the column "Model & No. Req'd."
5. When a part has been modified, an old part are indicated by marking the quantity of the part with "○" in the column "Model & No. Req'd."
6. R/P (Replaceability)

When a part has been modified, the interchangeability between new and old parts are indicated by using the following symbols.

Symbol	Interpretation
O	Both new and old parts are usable on new and old engine.
X	New parts are usable only on new engine and the old parts only on old engine.
Y	New parts can be used on both new and old engine but old parts can be used only on old engine.
Z	New parts can be used only on new engine but old parts can be used on both new and old engine.
#	The parts are not usable on either new or old engine but they are usable if they are reworked or combined with other parts.

7. This parts list uses the following abbreviations.

- |                      |                   |
|----------------------|-------------------|
| ASSY : Assembly      | OS : Over size    |
| STD : Standard       | C. : Choose       |
| Req'd. : Required    | US : Under size   |
| No. : Number         | S. : Sum required |
| R/P : Replaceability | Exc. : Except     |

8. With regard to the phase of the engine.

- |                               |                           |
|-------------------------------|---------------------------|
| Front : the Crank pulley side | Left : the Starter side   |
| Rear : the Flywheel side      | Right : the Oil Pump side |

9. E/E (Effective Engine No.)

When a part has been modified, the effective Engine No. of the old and new parts are indicated by using symbols. Details of Engine No. are listed in the end of this book.

Example:

### 1-04 MAIN MOVING PARTS

FIG. No. 1-04

1 ENGINE

Key No.	Part No.	Part Name	Model & No. Req'd				R / P	E / E	Remarks
			K4C	K4D	K4E	K4F			
1	MM408728	PISTON & PIN SET STD	④	.	.	.			
	MM408593	PISTON & PIN SET STD	④	.	.	.	O	A4	
	MM435034	PISTON & PIN SET STD	4	.	.	.	O	A42	
	MM406610	PISTON & PIN SET STD	.	④	.	.			

10. Whenever you place an order for some parts, please be sure to let us know all of the following items.

10-1: Engine Model & Engine No.

10-2: Part No. & Part Name

10-3: No. Required

11. The part number index in the end of this book the page and key No. where the description of the part is shown.

12. The parts listed on this Parts List are subject to change without notice.

## GROUP INDEX

### 1. ENGINE

01	CRANK CASE	2
02	OIL PAN & GEAR CASE	10
03	CYLINDER HEAD	14
04	MAIN MOVING PARTS	18
05	TIMING PARTS	26

### 2. FUEL SYSTEM

01	FUEL SUPPLY PARTS	30
02	FUEL INJECTION PUMP	38
03	NOZZLE & NOZZLE HOLDER	48
04	FUEL FILTER	52

### 3. GOVERNOR SYSTEM

01	GOVERNOR PARTS	56
----	----------------	----

### 4. LUBRICATION SYSTEM

01	LUBRICATING PARTS	62
----	-------------------	----

### 5. COOLING SYSTEM

01	COOLING PARTS	68
02	RADIATOR	72

### 6. INLET & EXHAUST SYSTEM

01	AIR CLEANER	76
02	INTAKE & EXHAUST PARTS	80

### 7. ELECTRICAL SYSTEM

01	ELECTRICAL EQUIPMENT	84
02A	STARTER(1.6 KW)	90
02B	STARTER(2.0 KW)	94
03A	ALTERNATOR(35A)	98
03B	ALTERNATOR(50A)	100
03C	ALTERNATOR(15A)	102
03D	ALTERNATOR(35A)	104
03E	ALTERNATOR(40A)	108

### 8. INSTRUMENT PARTS

01	INSTRUMENT PARTS	110
----	------------------	-----

### 9. TOOL

01	TOOL	114
----	------	-----

### 10. REPAIR GASKET KIT

01	REPAIR GASKET KIT	116
----	-------------------	-----

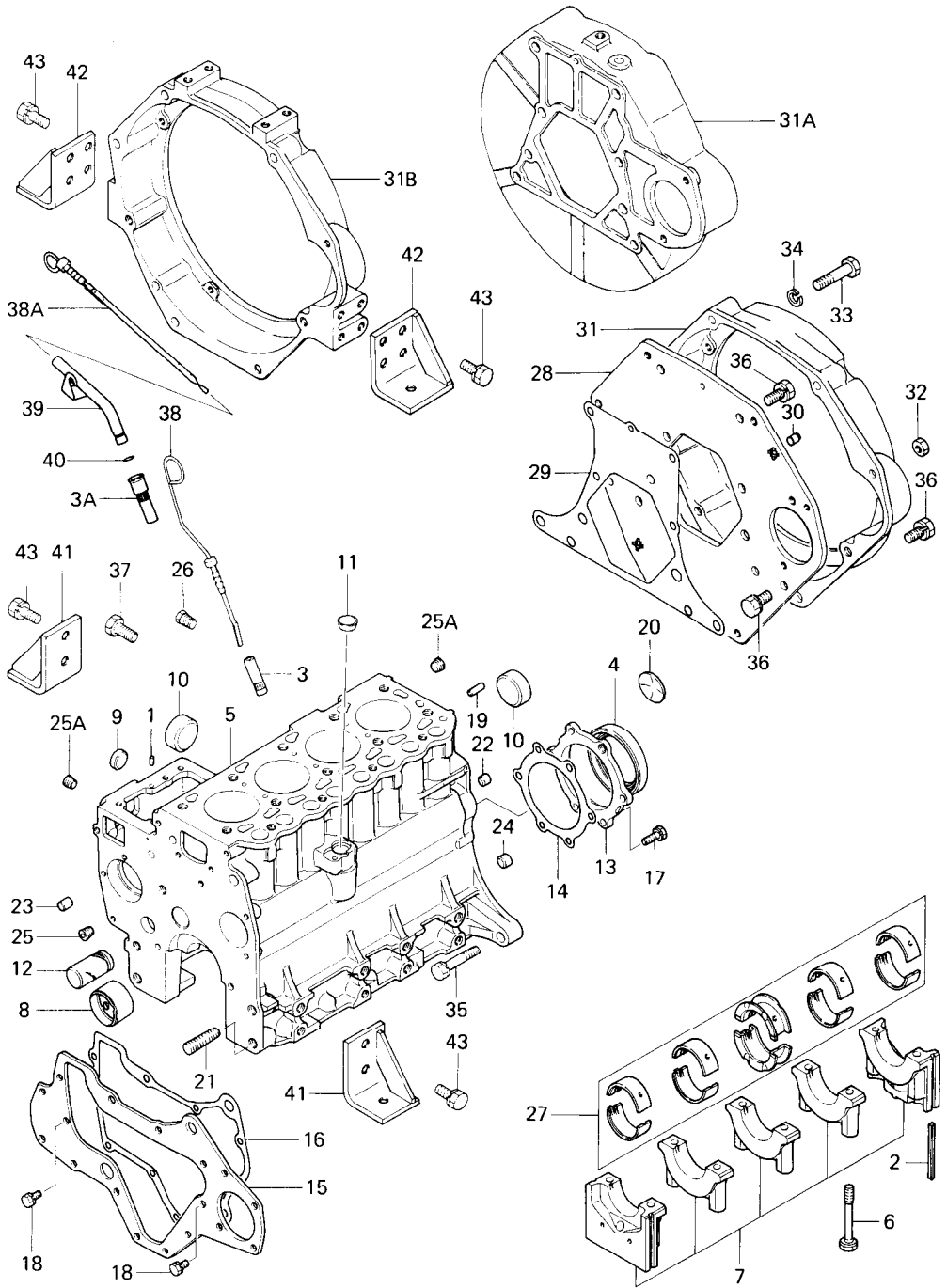
### 11. OPTIONAL PARTS

01	RECONSTRUCTION PARTS	120
----	----------------------	-----

EFFECTIVE ENGINE No.	122
----------------------	-----

PARTS No. INDEX	127
-----------------	-----

FIG. No. 1-01



# 1-01 CRANK CASE

FIG. No. 1-01

1 ENGINE

Key No.	Part No.	Part Name	Model & No. Req'd				R / P	E / E	Remarks
			K4C	K4D	K4E	K4F			
1	MD000268	PIN, dowel	②	②	.	.			
	MM409645	PIN, dowel	2	2	2	2	O		
2	MM406228	SEAL, side (CSS : 4X4X82)	4	4	4	4			
3	MM406235	GUIDE, oil level gauge	①	①	.	.			
	MM430613	GUIDE, oil level gauge	1	1	1	1	O	A26 Exc.61ES,KL	
3A	MM434729	RETAINER, oil level gauge	.	1	1	.		For 61ES,KL	
4	MM406242	OIL SEAL (70X92X12)	1	1	1				
5~10	MM408346	BLOCK SUB ASSY, cylinder	①	.	.	.			
	MM413888	BLOCK SUB ASSY, cylinder	1	.	.	.	O	A27 Exc. 61JC	
	MM430184	BLOCK SUB ASSY, cylinder	①	.	.	.		For 61JC	
	MM413888	BLOCK SUB ASSY, cylinder	1	.	.	.	X	A95 For 61JC	
	MM408287	BLOCK SUB ASSY, cylinder	.	①	.	.		For 61A	
	MM413866	BLOCK SUB ASSY, cylinder	.	1	.	.	O	A27 Exc. 61ST,WM,62WM	
	MM408358	BLOCK SUB ASSY, cylinder	.	①	.	.		For 61WM	
	MM413859	BLOCK SUB ASSY, cylinder	.	①	.	.	O	A27 For 61WM	
	MM413861	BLOCK SUB ASSY, cylinder	.	①	.	.	O	A77 For 61WM	
	MM437480	BLOCK SUB ASSY, cylinder	.	1	.	.	O	A71 For 61ST,WM,62WM	
	MM413894	BLOCK SUB ASSY, cylinder	.	.	1	.		For 61RA	
	MM430185	BLOCK SUB ASSY, cylinder	.	.	1	.		Exc. 61RA	
	MM437174	BLOCK SUB ASSY, cylinder	.	.	.	1		For 61WM,62WM	
	MM437292	BLOCK SUB ASSY, cylinder	.	.	.	1		For D61A,D62DA	
6	MM406217	BOLT, bearing cap	10	10	10	10			
7	*	CAP ASSY, bearing	1	1	1	1			

1-01 CRANK CASE

1 ENGINE

FIG. No. 1-01

Key No.	Part No.	Part Name	Model & No. Req'd				R / P	E / E	Remarks
			K4C	K4D	K4E	K4F			
8	MM408176	BUSHING, camshaft	1	1	1	1			
9	MF665538	CAP, sealing (25)	2	2	2	2		Exc. 61WM	
	0482622500	CAP, sealing (25)	•	②	•	•		For 61WM	
	MF665538	CAP, sealing (25)	•	2	•	2	O	A77 For 61WM	
10	MF665543	CAP, sealing (45)	3	3	3	3		Exc. 61WM	
	0482624500	CAP, sealing (45)	•	③	•	•		For 61WM	
	MF665543	CAP, sealing (45)	•	3	•	3	O	A77 For 61WM	
11	MF665537	CAP, sealing (22)	•	1	1	1		A77 For 61AG, DA, DM, ES, SC, SDG, SM, TC, WM, 62SDG, WM	
12	MM408175	SHAFT, idler	①	①	•	•			
	MM408169	SHAFT, idler	①	①	•	•	O		
	MM430113	SHAFT, idler	1	1	1	1	O		
13	MM408200	CASE, oil seal	1	1	1	1			
14	MM408205	GASKET, oil seal	1	1	1	1			
15	MM408221	PLATE, front	1	1	1	1		Exc. 61AG, DA, ES, KL, SC, SDG, TC, 62SDG	
	MM408221	PLATE, front	•	①	①	•		For 61DA	
	MM408222	PLATE, front	•	1	1	•	X	A72 For 61AG, DA, ES, KL, SC, SDG, TC, 62SDG	
16	MM408226	GASKET, front plate	1	1	1	1			
17	MF240054	BOLT, with washer (4T : 8X22)	6	6	6	6			
18	MF241251	BOLT, with washer (7T : 8X16)	③	③	•	•			
	MF240051	BOLT, with washer (4T : 8X16)	3	3	3	3	O		
19	MF472404	PIN, dowel (8)	1	1	1	1			
20	MF665511	PLUG, expansion (40)	1	1	1	1			
21	MF402635	STUD (7T : 14X30)	②	•	2	•		For 61WH	



1-01 CRANK CASE

1 ENGINE

FIG. No. 1-01

Key No.	Part No.	Part Name	Model & No. Req'd				R / P	E / E	Remarks
			K4C	K4D	K4E	K4F			
22	MS471104	BUSHING, knock (8X9)	2	2	2	2			
23	MS471105	BUSHING, knock (8X13)	2	2	2	2			
24	MS471110	BUSHING, knock (12X9)	1	1	1	1			
25	MS661121	PLUG, taper (PT 1/4)	1	1	1	1		(61WM,62WM : 2pcs.)	
25A	MS661121	PLUG, taper (PT 1/4)	②	②	②	•		(61WM : 1pc.)	
	MS661141	PLUG, taper (PT 1/4)	2	2	2	2	○ A37	(61WM,62WM : 1pc.)	
26	MD000269	PLUG, taper (NPTF 1/4)	1	1	1	1			
27	MM408164	BEARING SET, crankshaft STD	①	①	•	•		Exc.61WM	
	MM437313	BEARING SET, crankshaft STD	1	1	•	•	○ A75	Exc.61WM,62WM	
	MM408164	BEARING SET, crankshaft STD	•	①	•	•		Exc.61WM	
	MM409590	BEARING SET, crankshaft STD	•	①	•	•	○ A73	For 61WM,62WM	
	MM434602	BEARING SET, crankshaft STD	•	①	•	①	○ A74	For 61WM,62WM, D61A,D62DA	
	MM437313	BEARING SET, crankshaft STD	•	1	•	1	○ A75	For 61WM,62WM, D61A,D62DA	
	MM409590	BEARING SET, crankshaft STD	•	•	①	•			
	MM437313	BEARING SET, crankshaft STD	•	•	1	•	○ A75		
	MM408165	BEARING SET, crankshaft 0.25US	①	①	•	•		Exc.61WM	
	MM437884	BEARING SET, crankshaft 0.25US	1	1	•	•	○ A75	Exc.61WM,62WM	
	MM408165	BEARING SET, crankshaft 0.25US	•	①	•	•		Exc.61WM	
	MM409591	BEARING SET, crankshaft 0.25US	•	①	•	•	○ A73	For 61WM,62WM	
	MM435447	BEARING SET, crankshaft 0.25US	•	①	•	①	○ A74	For 61WM,62WM, D61A,D62DA	
	MM437884	BEARING SET, crankshaft 0.25US	•	1	•	1	○ A75	For 61WM,62WM, D61A,D62DA	
	MM409591	BEARING SET, crankshaft 0.25US	•	•	①	•			
	MM437884	BEARING SET, crankshaft 0.25US	•	•	1	•	○ A75		

1-01 CRANK CASE

FIG. No. 1-01

1 ENGINE

Key No.	Part No.	Part Name	Model & No. Req'd				R / P	E / E	Remarks
			K4C	K4D	K4E	K4F			
	MM408166	BEARING SET, crankshaft 0.50US	①	①	•	•			Exc.61WM
	MM437885	BEARING SET, crankshaft 0.50US	1	1	•	•	○	A75	Exc.61WM,62WM
	MM408166	BEARING SET, crankshaft 0.50US	•	①	•	•			Exc.61WM
	MM409592	BEARING SET, crankshaft 0.50US	•	①	•	•	○	A73	For 61WM,62WM
	MM435448	BEARING SET, crankshaft 0.50US	•	①	•	①	○	A74	For 61WM,62WM, D61A,D62DA
	MM437885	BEARING SET, crankshaft 0.50US	•	1	•	1	○	A75	For 61WM,62WM D61A,D62DA
	MM409592	BEARING SET, crankshaft 0.50US	•	•	①				
	MM437885	BEARING SET, crankshaft 0.50US	•	•	1	•	○	A75	
	MM408167	BEARING SET, crankshaft 0.75US	①	①	•	•			Exc.61WM
	MM437886	BEARING SET, crankshaft 0.75US	1	1	•	•	○	A75	Exc.61WM,62WM
	MM408167	BEARING SET, crankshaft 0.75US	•	①	•	•			For 61WM
	MM409593	BEARING SET, crankshaft 0.75US	•	①	•	•	○	A73	For 61WM,62WM
	MM435449	BEARING SET, crankshaft 0.75US	•	①	•	①	○	A74	For 61WM,62WM, D61A,D62DA
	MM437886	BEARING SET, crankshaft 0.75US	•	1	•	1	○	A75	For 61WM,62WM, D61A,D62DA
	MM409593	BEARING SET, crankshaft 0.75US	•	•	①				
	MM437886	BEARING SET, crankshaft 0.75US	•	•	1	•	○	A75	
28	MM408213	PLATE, rear	①	•	•	•			Exc. 61WM
	MM408212	PLATE, rear	1	1	1	1	○	A1	Exc. 61AG,DM,FT,ST, WM,62WM
	MM408211	PLATE, rear	•	1	•	•			For 61ST
29	MM408217	GASKET, rear plate	①	•	•	•			
	MM409577	GASKET, rear plate	1	1	1	1	○		Exc. 61AG,ST,WM, 62WM
	MM408216	GASKET, rear plate	•	1	•	1			For 61ST,WM,62WM
30	MM408245	PIN, knock (10X12)	2	2	2	2			Exc.61AG,DM,FT,ST, WM,62WM

1-01 CRANK CASE

1 ENGINE

FIG. No. 1-01

Key No.	Part No.	Part Name	Model & No. Req'd				R / P	E / E	Remarks
			K4C	K4D	K4E	K4F			
	MM408240	PIN, knock (8X10)	•	1	•	•			For 61ST
31	MM408850	HOUSING, flywheel	1	1	1	1			For 61A,EM,JC,KL,MS, RA,TC,SA,WH,D61A
31A	MM412960	HOUSING, flywheel	•	1	•	•			For 61AG
31B	MM431538	HOUSING, flywheel	•	①	①	•			For 62DA
	MM412962	HOUSING, flywheel	•	1	1	1	X	A72	For 61DA,SDG,62DA,D62A
	MM431538	HOUSING, flywheel	•	1	1	•			For 61ES,PA,62SDG
32	MF430006	NUT (4T : 10)	1	1	1	1			Exc. 61AG,DM,FT,SC, RA,SM,SS,ST,TM,WM, 62WM
33	MF104919	BOLT (7T : 12X55)	④	•	•	•			For 61WH
34	MF450407	WASHER, spring (12)	④	•	•	•			For 61WH
35	MF241315	BOLT, with washer (7T : 12X50)	④	②	•	•	O		For 61A, WH
	MF241315	BOLT, with washer (7T : 12X50)	4	4	4	4			Exc.61AG,DM,FT,SC,SM, SS,ST,TM,WM,62WM
36	MF241308	BOLT, with washer (7T : 12X28)	⑨	⑬	•	•			For 61A, WH
	MF241308	BOLT, with washer (7T : 12X28)	11	11	11	11			For 61A,DA,EM,ES,JC, KL,MS,PA,RA,SA,SDG, TC,WH,62DA,SDG, D61A,D62DA For 61SS
	MF241308	BOLT, with washer (7T : 12X28)	⑥	•	•	•			
	MF241308	BOLT, with washer (7T : 12X28)	8	8	8	•			For 61AG,RA,SC,SM,SS, TM
	MF241308	BOLT, with washer (7T : 12X28)	•	6	•	•			For 61ST
37	MF100110	BOLT (4T : 12X25)	4	4	4	4			
	MF101310	BOLT (7T : 12X25)	•	4	4	•			For 61TM
38	MM409226	GAUGE, oil level	1	1	1	1			Exc. 61AG,ES,KL
38A	MM409227	GAUGE, oil level	•	1	•	•			For 61AG
	MM436330	GAUGE, oil level	•	1	•	•			For 61KL
	MM409257	GAUGE, oil level	•	•	1	•			For 61ES
39	MM436473	GAUGE, oil level	•	1	1	•			For 61ES,KL

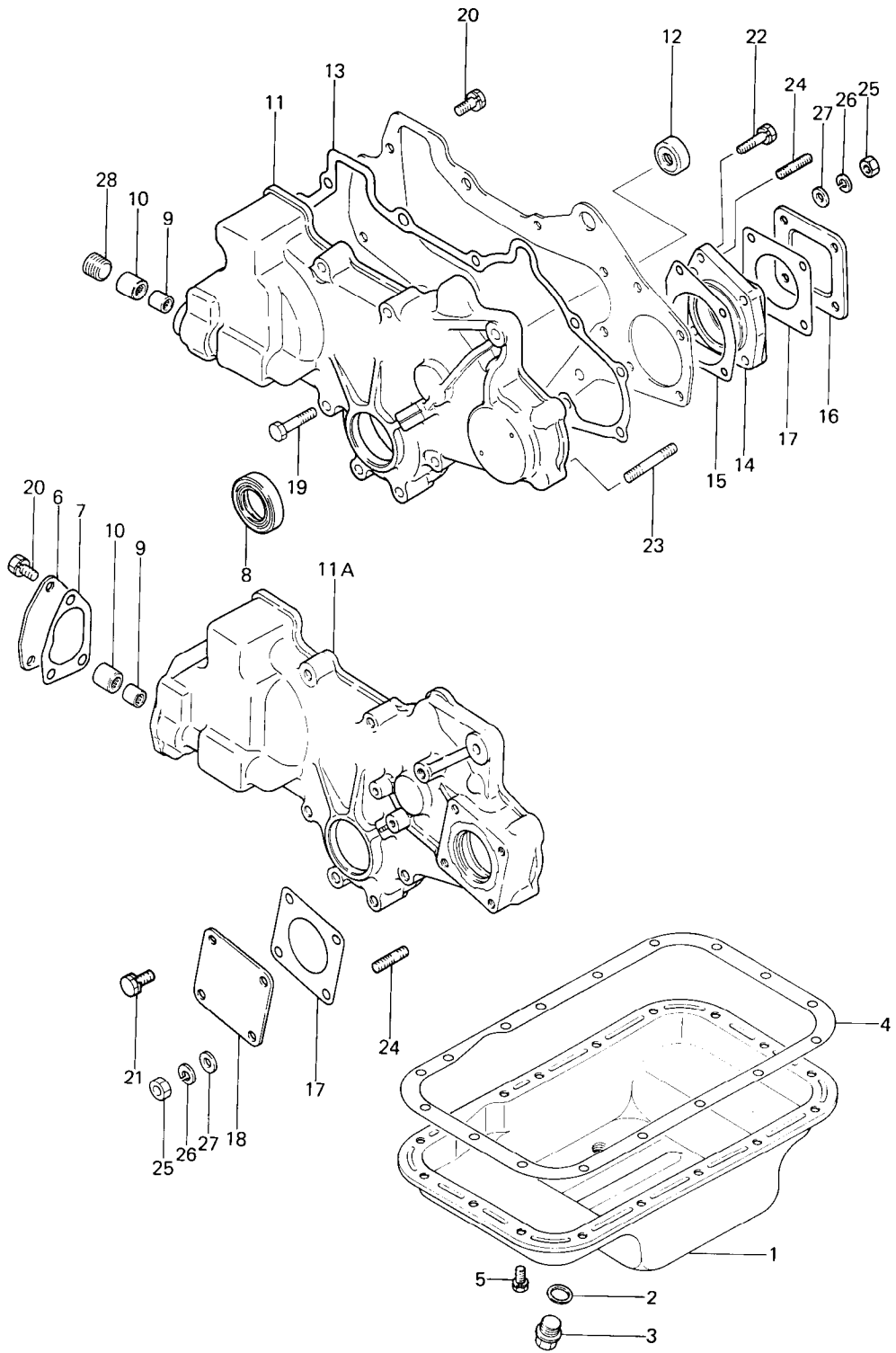
# 1-01 CRANK CASE

FIG. No. 1-01

1 ENGINE

Key No.	Part No.	Part Name	Model & No. Req'd				R / P	E / E	Remarks
			K4C	K4D	K4E	K4F			
40	MF520004	O-RING (9)	•	1	1	•		For 61ES, KL	
41	MM431417	SUPPORT, engine	•	2	•	•		For 61PA	
42	MM431535	SUPPORT, engine	•	2	•	•		For 61PA	
43	MF241308	BOLT, with washer (7T : 12X28)	•	12	•	•		For 61PA	
	MF241309	BOLT, with washer (7T : 12X30)	•	12	•	•		For 61KL	
	MF241284	BOLT, with washer (7T : 10X30)	•	12	•	•		For 61KL	

FIG. No. 1-02



1-02 OIL PAN & GEAR CASE

1 ENGINE

FIG. No. 1-02

Key No.	Part No.	Part Name	Model & No. Req'd				R / P	E / E	Remarks
			K4C	K4D	K4E	K4F			
1~3	MM408305	PAN ASSY, oil	1	1	•	•		For 61A,JC,SS,TM,WH	
	MM412608	PAN ASSY, oil	•	1	•	•		For 61AG	
	MM408297	PAN ASSY, oil	•	1	•	1		For 61WM,62WM	
	MM412616	PAN ASSY, oil	•	1	•	•		For 61FT	
	MM408305	PAN ASSY, oil	①	①	①	•		For 61SA	
	MM412605	PAN ASSY, oil	1	1	1	•	X A38	For 61EM,ES,KL,MS,PA, SA,K4E-61A,TM,WH	
	MM412606	PAN ASSY, oil	•	1	1	1		For 61DA,RA,SC,SDG,TC,62DA, SDG,D61A,D62A	
	MM437827	PAN ASSY, oil	•	1	•	•		For 61ST	
1	MM412649	PAN, oil	•	1	1	1		For 61DM, SM	
2	MD000312	GASKET, oil drain plug (18)	1	1	1	1		Exc. 61DM, SM	
3	MD000318	PLUG, oil drain	1	1	1	1		Exc. 61DM, SM	
4	MM408322	GASKET, oil pan	1	1	1	1		(61TM, K4D-61SM : 2pcs.)	
	MM408291	GASKET, oil pan	•	1	1	•		For 61DM, SM	
5	MF240051	BOLT, with washer (4T : 8×16)	17	17	17	17			
6	MM408233	COVER, governor	•	1	1	1		For 61DA,DM,FT,SDG,SS, ST,62DA,SDG,D62DA	
7	MM408234	GASKET, governor cover	•	1	1	1		For 61DA,DM,FT,SDG,SS, ST,62DA,SDG,D62DA	
8	K9413390	OIL SEAL (35×50×8)	①	①	①	•			
	MD008762	OIL SEAL (35×50×8)	1	1	1	1	O A39		
9	MM406420	BEARING, needle (10×14×15)	1	1	1	1			
10	MM406421	BEARING, needle (10×17×15)	1	1	1	1			
11	MM408230	GEAR CASE	①	①	•	•			
	MM408227	GEAR CASE	1	1	1	1	# A2	Exc. 61DA,DM,FT,SDG, ST,62DA,SDG,D62DA, K4D-61SS	
11A	MM409719	GEAR CASE	•	1	1	1		For 61DA,DM,FT,SDG, SS,ST,62DA,SDG, D62DA	

1-02 OIL PAN & GEAR CASE

FIG. No. 1-02

1 ENGINE

Key No.	Part No.	Part Name	Model & No. Req'd				R / P	E / E	Remarks
			K4C	K4D	K4E	K4F			
12	MM409718	PLUG, thrust	1	1	1	1			
13	MM408236	GASKET, gear case (0.8t)	①	①	•	•			
	MM408235	GASKET, gear case (0.5t)	1	1	1	1	O		
14	MM409230	HOUSING, pump gear bearing	1	1	1	1		Exc.61AG,DA,ES,KL, SC,SDG,TC,62SDG	
	MM409230	HOUSING, pump gear bearing	•	①	•	•	A97	For 61DA	
15	MM409235	GASKET, housing	1	1	1	1		Exc.61AG,DA,ES,KL,SC, SDG,TC,62SDG	
	MM409235	GASKET, housing	•	①	•	•	A97	For 61DA	
16	K7910451	COVER, oil pump	1	1	1	1		Exc. 61AG,DA,ES,KL,SC, SDG,ST,TC,62SDG	
17	MM401206	GASKET, oil pump cover	1	1	1	1	A72	Exc. 61AG,DM,ES, FT,KL,SC,ST,TC, 62DA,D62DA,K4D-61SS For 61DM,FT,ST, SS,62DA,D62DA	
	MM401206	GASKET, oil pump cover	•	2	2	2			
18	MM401205	COVER, oil pump shaft	•	1	1	1		For 61DA,DM,SDG,SS, 62DA,SDG,D62DA	
19	MF100064	BOLT (4T : 8X45)	8	8	8	8			
20	MF240053	BOLT, with washer (4T : 8X20)	②	②	•	•			
	MF240051	BOLT, with washer (4T : 8X16)	2	2	2	2	O	Exc.61AG,DA,DM, ES,FT,KL,SC,SDG, ST,TC,62DA,SDG, D62DA,K4D-61SS For 61AG,DM,ES,KL, SC,SS,TC (61FT, 62DA,D62DA : 9pcs.) For 61DM, SS	
	MF240051	BOLT, with washer (4T : 8X16)	•	6	6	6			
21	MF241253	BOLT, with washer (7T : 8X20)	•	1	1	•			
	MF241253	BOLT, with washer (7T : 8X20)	•	13	13	•		For 61DA, SDG,62SDG	
	MF241253	BOLT, with washer (7T : 8X20)	•	5	5	•		For 61FT,ST	
22	MF241257	BOLT, with washer (7T : 8X30)	1	1	1	•		Exc.61AG,DA,EM,ES, KL,SC,SDG,TC, 62SDG,K4D-61SS For 61DA	
	MF241257	BOLT, with washer (7T : 8X30)	•	①	•	•	A97		
	MF241261	BOLT, with washer (7T : 8X40)	•	1	1	•		For 61SS,EM	
	MF240059	BOLT, with washer (4T : 8X35)	•	3	3	•		For 61DM,SS	
23	MF400683	STUD (7T : 8X45)	③	③	•	•			

1-02 OIL PAN & GEAR CASE

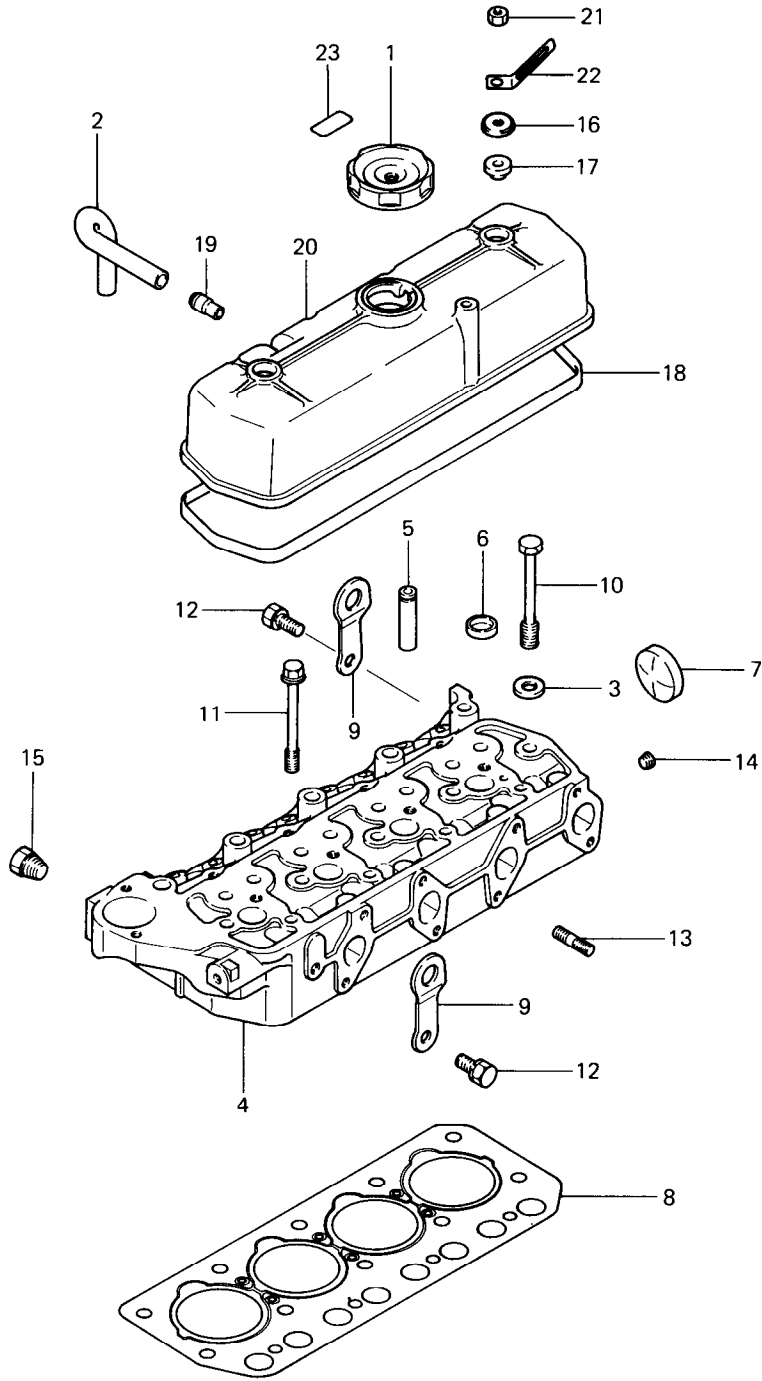
1 ENGINE

FIG. No. 1-02

Key No.	Part No.	Part Name	Model & No. Req'd				R / P	E / E	Remarks
			K4C	K4D	K4E	K4F			
24	MS401434	STUD (7T : 8X42)	3	3	3	3	O	Exc.61AG,DA,DM,ES, KL,SC,SDG,TC, 62SDG,K4D-61SS For 61DA	
	MS401434	STUD (7T : 8X42)	.	③	.	.	A97		
	MF402566	STUD (7T : 8X25)	①	①	.	.			
	MM402565	STUD (7T : 8X22)	1	1	1	1			
	MM402565	STUD (7T : 8X22)	.	①	.	.	A97		
	MM402565	STUD (7T : 8X22)	.	3	3	.			
	MM402565	STUD (7T : 8X22)	.	5	5	.			
25	MF430005	NUT (4T : 8)	4	4	4	4		Exc.61AG,DA,DM,ES,FT, KL,SC,SDG,ST,TC, 62SDG,K4D-61SS For 61DA	
	MF430005	NUT (4T : 8)	.	④	.	.	A97		
	MF430005	NUT (4T : 8)	.	3	3	.			
	MF430005	NUT (4T : 8)	.	5	5	.			
26	MF450405	WASHER, spring (8)	4	4	4	4		Exc.61AG,DA,DM,ES,FT, SC,SDG,ST,TC, 62SDG,K4D-61SS For 61DA	
	MF450405	WASHER, spring (8)	.	④	.	.	A97		
	MF450405	WASHER, spring (8)	.	3	3	.			
	MF450405	WASHER, spring (8)	.	5	5	.			
27	MF450005	WASHER, plain (8)	4	4	4	4		Exc.61AG,DA,DM,ES,FT, KL,SC,SDG,ST,TC, 62SDG,K4D-61SS For 61DA	
	MF450005	WASHER, plain (8)	.	④	.	.	A97		
	MF450005	WASHER, plain (8)	.	3	3	.			
	MF450005	WASHER, plain (8)	.	5	5	.			
28	MS661123	PLUG, taper (PT 1/2)	1	1	1	1		Exc. 61DA,DM,FT,SDG, 62DM,SDG,D62DA, 4D-61SS	



FIG. No. 1-03



## 1-03 CYLINDER HEAD

1 ENGINE

FIG. No. 1-03

Key No.	Part No.	Part Name	Model & No.Req'd				R /	E /	Remarks
			K4C	K4D	K4E	K4F			
1	MD008784	CAP, oil filler	1	1	1	1			
2	MM408537	PIPE, air breather	•	•	1	•			For 61RA
	MM408537	PIPE, air breather	•	①	①	•			For 61A
	MM432044	PIPE, air breather	•	1	1	•	#	A76	For 61A
	MM408537	PIPE, air breather	•	①	①	•			For 61WM,K4D-61SA
	MM408536	PIPE, air breather	①	①	①	•	Z	A40	Exc. 61RA,K4D,E-61A
	MM432044	PIPE, air breather	1	1	1	1	O	A41	Exc.K4D,E-61A,RA
3	MD020733	WASHER, cylinder head bolt	10	10	10	10			
4~7	MM408409	HEAD ASSY, cylinder	①	①	•	•			Exc.61WM
	MM434950	HEAD ASSY, cylinder	1	1	•	•	Y	A42	Exc.61WM,62WM
	MM408418	HEAD ASSY, cylinder	•	①	•	•			For 61WM
	MM434951	HEAD ASSY, cylinder	•	①	•	•	Y	A42	For 61WM,62WM
	MM434950	HEAD ASSY, cylinder	•	①	•	•	O	A77	For 61WM,62WM
	MM434952	HEAD ASSY, cylinder	•	1	•	•	O	A73	For 61WM,62WM
	MM409758	HEAD ASSY, cylinder	•	•	①	•			Exc.61DM
	MM433761	HEAD ASSY, cylinder	•	•	①	•	O	A43	Exc.61DM, SM
	MM434953	HEAD ASSY, cylinder	•	•	1	•	Y	A42	Exc.61DM,SM
	MM412528	HEAD ASSY, cylinder	•	•	①	•			For 61DM
	MM434152	HEAD ASSY, cylinder	•	•	①	•	O	A43	For 61DM,SM
	MM434954	HEAD ASSY, cylinder	•	•	1	1	Y	A42	For 61DM,SM,WM,62DM
	MM433586	HEAD ASSY, cylinder	•	•	•	1			For D61A,D62DA
5	MM408441	GUIDE, valve	8	8	8	8			
6	MF665538	CAP, sealing (25)	4	4	4	4			Exc.61WM

1-03 CYLINDER HEAD

FIG. No. 1-03

1 ENGINE

Key No.	Part No.	Part Name	Model & No.Req'd				R / P	E / E	Remarks
			K4C	K4D	K4E	K4F			
	0482622500	CAP, sealing (25)	•	④	•	•		For 61WM	
	MF665538	CAP, sealing (25)	•	4	•	4	O A77	For 61WM	
7	MF665543	CAP, sealing (45)	1	1	1	1		Exc.61WM	
	0482624500	CAP, sealing (45)	•	①	•	•		For 61WM	
	MF665543	CAP, sealing (45)	•	1	•	1	O A77	For 61DM	
8	MM408456	GASKET, cylinder head	1	•	•	•			
	MM408448	GASKET, cylinder head	•	1	•	•			
	MM408457	GASKET, cylinder head	•	•	1	•			
	MM436658	GASKET, cylinder head	•	•	•	1		For 61WM,62WM	
	MM437314	GASKET, cylinder head	•	•	•	1		For D61A,D62DA	
	MM436941	GASKET, cylinder head	•	•	•	1E		For D61A,D62DA	
	MM436942	GASKET, cylinder head	•	•	•	1E		For D61A,D62DA	
9	MM408470	HANGER, engine	2	2	2	2			
10	MM408481	BOLT, cylinder head	10	10	10	10			
11	MM404316	BOLT (10×90)	4	4	4	4			
12	MF241280	BOLT, with washer (7T : 10×20)	2	2	2	2			
13	MF401936	STUD (4T : 8×25)	1	1	1	1		Exc.61DM,EM,SM,SS, TM,WM,62WM	
14	MS661120	PLUG, taper (PT 1/8)	①	①	①	•			
	MS661140	PLUG, taper (PT 1/8)	1	1	1	1	O A37		
15	MM104556	PLUG, taper (PT 3/8)	•	①	•	•		For 61WM	
	MS661122	PLUG, taper (PT 3/8)	•	1	•	1	O	For 61SS,WM,62WM	
16	MD000522	WASHER	②	②	•	•			
	MM408509	WASHER	2	2	2	2	O		

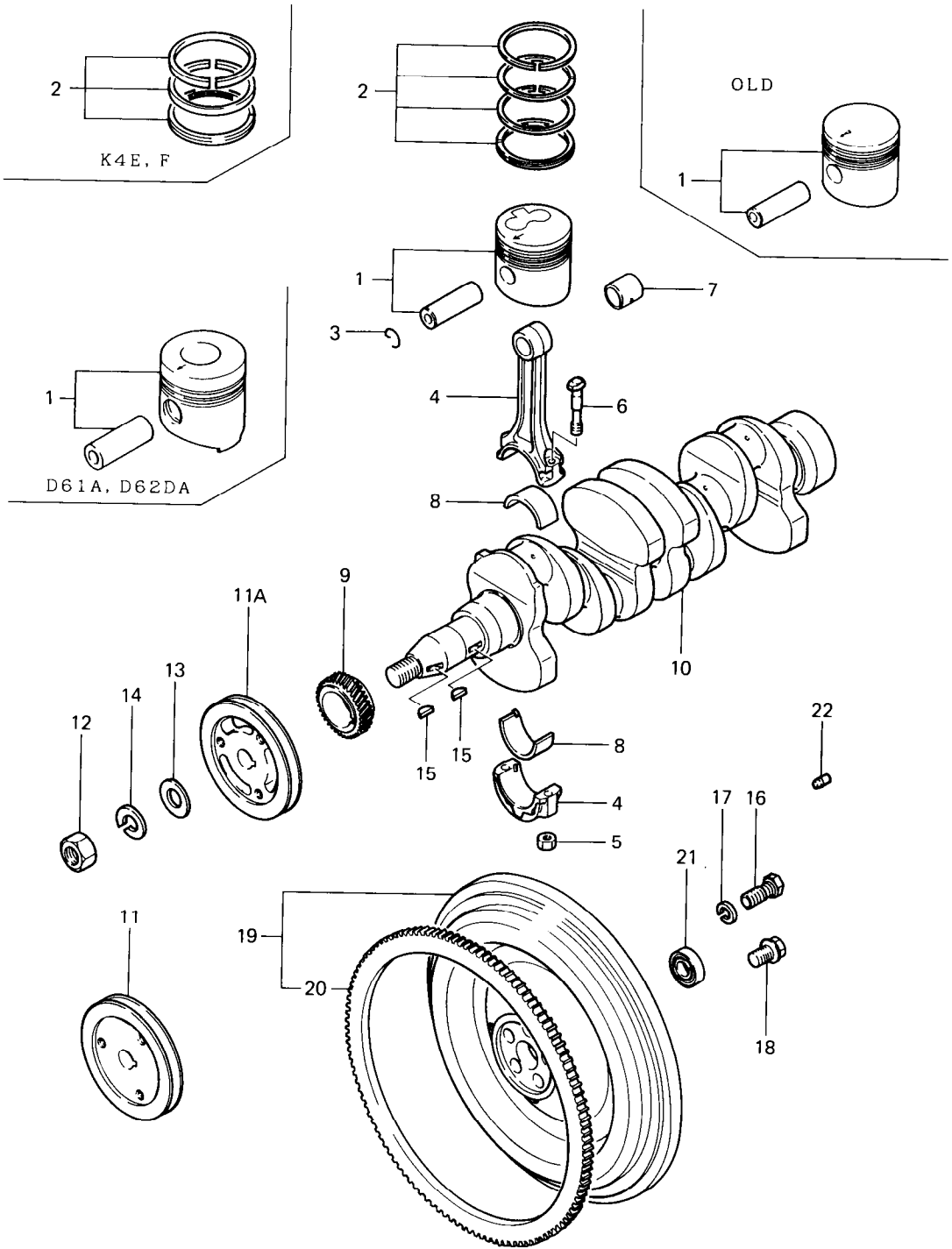
# 1-03 CYLINDER HEAD

FIG. No. 1-03

1 ENGINE

Key No.	Part No.	Part Name	Model & No. Req'd				R / P	E / E	Remarks
			K4C	K4D	K4E	K4F			
17	MD000523	OIL SEAL	2	2	2	2			
18, 19	MM408492	COVER ASSY, rocker	1	1	1	1			
19	K9644171	PIPE	1	1	1	1			
20	MM408502	GASKET, rocker cover	1	1	1	1			
21	MF430005	NUT (4T : 8)	2	2	2	2			
22	MS470058	CLIP (60)	•	•	•	1			For 61WM,62WM
23	MM436926	LABEL, model	•	1	•	1			For 61WM
	MM436927	LABEL, model	•	1	•	1			For 62WM

FIG. No. 1-04



1-04 MAIN MOVING PARTS

1 ENGINE

FIG. No. 1-04

Key No.	Part No.	Part Name	Model & No. Req'd				R / P	E / E	Remarks
			K4C	K4D	K4E	K4F			
1	MM408728	PISTON & PIN SET STD	④	.	.	.			
	MM408593	PISTON & PIN SET STD	④	.	.	.	O	A4	
	MM435034	PISTON & PIN SET STD	4	.	.	.	O	A42	
	MM406610	PISTON & PIN SET STD	.	④	.	.			
	MM408520	PISTON & PIN SET STD	.	④	.	.	O	A5	
	MM433046	PISTON & PIN SET STD	.	④	.	.	Y	A43	
	MM435035	PISTON & PIN SET STD	.	④	.	.	O	A42	
	MM436618	PISTON & PIN SET STD	.	4	.	.	O	A78	
	MM409730	PISTON & PIN SET STD	.	.	④	.			
	MM432929	PISTON & PIN SET STD	.	.	④	.	Y	A44	
	MM433759	PISTON & PIN SET STD	.	.	④	.	O	A45	
	MM435036	PISTON & PIN SET STD	.	.	4	.	O	A42	
	MM437204	PISTON & PIN SET STD	.	.	4	.			For 61WM,62WM
	MM435388	PISTON & PIN SET STD	.	.	4	.			For D61A,D62DA
	MM408616	PISTON & PIN SET 0.25OS	④	.	.	.			
	MM408594	PISTON & PIN SET 0.25OS	④	.	.	.	O	A4	
	MM435337	PISTON & PIN SET 0.25OS	4	.	.	.	O	A42	
	MM406611	PISTON & PIN SET 0.25OS	.	④	.	.			
	MM408521	PISTON & PIN SET 0.25OS	.	④	.	.	O	A5	
	MM433047	PISTON & PIN SET 0.25OS	.	④	.	.	Y	A43	
	MM435340	PISTON & PIN SET 0.25OS	.	④	.	.	O	A42	
	MM436620	PISTON & PIN SET 0.25OS	.	4	.	.	O	A78	
	MM412780	PISTON & PIN SET 0.25OS	.	.	④	.			

1-04 MAIN MOVING PARTS

FIG. No. 1-04

1 ENGINE

Key No.	Part No.	Part Name	Model & No.Req'd				R / P	E / E	Remarks
			K4C	K4D	K4E	K4F			
	MM432930	PISTON & PIN SET 0.25OS	•	•	④	•	Y	A44	
	MM434157	PISTON & PIN SET 0.25OS	•	•	④	•	O	A45	
	MM435343	PISTON & PIN SET 0.25OS	•	•	4	•	O	A42	
	MM437369	PISTON & PIN SET 0.25OS	•	•	•	4			For 61WM,62WM
	MM437371	PISTON & PIN SET 0.25OS	•	•	•	4			For D61A,D62DA
	MM408617	PISTON & PIN SET 0.50OS	④	•	•	•			
	MM408595	PISTON & PIN SET 0.50OS	④	•	•	•	O	A4	
	MM435338	PISTON & PIN SET 0.50OS	4	•	•	•	O	A42	
	MM406612	PISTON & PIN SET 0.50OS	•	④	•	•			
	MM408522	PISTON & PIN SET 0.50OS	•	④	•	•	O	A5	
	MM433048	PISTON & PIN SET 0.50OS	•	④	•	•	Y	A43	
	MM435341	PISTON & PIN SET 0.50OS	•	④	•	•	O	A42	
	MM436620	PISTON & PIN SET 0.50OS	•	4	•	•	O	A78	
	MM412781	PISTON & PIN SET 0.50OS	•	•	④	•			
	MM432931	PISTON & PIN SET 0.50OS	•	•	④	•	Y	A44	
	MM434158	PISTON & PIN SET 0.50OS	•	•	④	•	O	A45	
	MM435344	PISTON & PIN SET 0.50OS	•	•	4	•	O	A42	
	MM437370	PISTON & PIN SET 0.50OS	•	•	•	4			For 61WM,62WM
	MM437372	PISTON & PIN SET 0.50OS	•	•	•	4			For D61A,D62DA
	MM408618	PISTON & PIN SET 0.75OS	④	•	•	•			
	MM408596	PISTON & PIN SET 0.75OS	④	•	•	•	O	A4	
	MM435339	PISTON & PIN SET 0.75OS	4	•	•	•	O	A42	
	MM406613	PISTON & PIN SET 0.75OS	•	④	•	•			

1-04 MAIN MOVING PARTS

1 ENGINE

FIG. No. 1-04

Key No.	Part No.	Part Name	Model & No.Req'd				R / P	E / E	Remarks
			K4C	K4D	K4E	K4F			
	MM408523	PISTON & PIN SET 0.75OS	•	④	•	•	O	A5	
	MM433049	PISTON & PIN SET 0.75OS	•	④	•	•	Y	A43	
	MM435342	PISTON & PIN SET 0.75OS	•	④	•	•	O	A42	
	MM436621	PISTON & PIN SET 0.75OS	•	4	•	•	O	A78	
	MM412782	PISTON & PIN SET 0.75OS	•	•	④	•			
	MM432932	PISTON & PIN SET 0.75OS	•	•	④	•	Y	A44	
	MM434159	PISTON & PIN SET 0.75OS	•	•	④	•	O	A45	
	MM435345	PISTON & PIN SET 0.75OS	•	•	4	•	O	A42	
2	MM408760	RING SET, piston STD	④	•	•	•			
	MM408603	RING SET, piston STD	④	•	•	•	O	A4	
	MM432981	RING SET, piston STD	4	•	•	•	Y	A46	
	MM406600	RING SET, piston STD	•	④	•	•			
	MM431601	RING SET, piston STD	•	④	•	•	O	A47	
	MM433050	RING SET, piston STD	•	4	•	•	Z	A43	
	MM409753	RING SET, piston STD	•	•	④	•			Exc. 61DM
	MM431579	RING SET, piston STD	•	•	4	•	Z	A44	
	MM433921	RING SET, piston STD	•	•	•	4			
	MM408761	RING SET, piston 0.25OS	④	•	•	•			
	MM408586	RING SET, piston 0.25OS	④	•	•	•	O	A4	
	MM432982	RING SET, piston 0.25OS	4	•	•	•	Y	A46	
	MM406601	RING SET, piston 0.25OS	•	④	•	•			
	MM431602	RING SET, piston 0.25OS	•	④	•	•	O	A47	
	MM433051	RING SET, piston 0.25OS	•	4	•	•	Z	A43	



1-04 MAIN MOVING PARTS

FIG. No. 1-04

1 ENGINE

Key No.	Part No.	Part Name	Model & No.Req'd				R / P	E / E	Remarks
			K4C	K4D	K4E	K4F			
	MM409765	RING SET, piston 0.25OS	•	•	④	•			Exc. 61DM
	MM431631	RING SET, piston 0.25OS	•	•	4	•	Z	A44	
	MM433922	RING SET, piston 0.25OS	•	•	•	4			
	MM408762	RING SET, piston 0.50OS	④	•	•	•			
	MM408587	RING SET, piston 0.50OS	④	•	•	•	O	A4	
	MM432983	RING SET, piston 0.50OS	4	•	•	•	Y	A46	
	MM406602	RING SET, piston 0.50OS	•	④	•	•			
	MM431603	RING SET, piston 0.50OS	•	④	•	•	O	A47	
	MM433052	RING SET, piston 0.50OS	•	4	•	•	Z	A43	
	MM409766	RING SET, piston 0.50OS	•	•	④	•			Exc. 61DM
	MM431632	RING SET, piston 0.50OS	•	•	4	•	Z	A44	
	MM433923	RING SET, piston 0.50OS	•	•	•	4			
	MM408763	RING SET, piston 0.75OS	④	•	•	•			
	MM408588	RING SET, piston 0.75OS	④	•	•	•	O	A4	
	MM432984	RING SET, piston 0.75OS	4	•	•	•	Y	A46	
	MM406603	RING SET, piston 0.75OS	•	④	•	•			
	MM431604	RING SET, piston 0.75OS	•	④	•	•	O	A47	
	MM433053	RING SET, piston 0.75OS	•	4	•	•	Z	A43	
	MM409767	RING SET, piston 0.75OS	•	•	④	•			Exc. 61DM
	MM431633	RING SET, piston 0.75OS	•	•	4	•	Z	A44	
3	K8221251	CLIP, piston pin	•	•	8	8			
4~7	MM408790	ROD ASSY, connecting	4	4	•	•			
	MM409733	ROD ASSY, connecting	•	•	4	4			

1-04 MAIN MOVING PARTS

FIG. No. 1-04

1 ENGINE

Key No.	Part No.	Part Name	Model & No. Req'd				R / P	E / E	Remarks
			K4C	K4D	K4E	K4F			
5	MD000704	NUT, con rod	8	8	8	8			
6	MM402547	BOLT, con rod	⑧	⑧	⑧	⑧			
	MD000704	BOLT, con rod	8	8	8	8	○ A79		
7	MM430145	BEARING, small end	.	.	4	4			
8	MM408795	BEARING SET, con rod STD	④	④	.	.		Exc.61WM,62WM	
	MM437982	BEARING SET, con rod STD	4	4	.	.	○ A75	Exc.61WM,62WM	
	MM408795	BEARING SET, con rod STD	.	④	.	.		For 61WM	
	MM409608	BEARING SET, con rod STD	.	④	.	.	○ A73	For 61WM,62WM	
	MM434607	BEARING SET, con rod STD	.	④	.	④	○ A74	For 61WM,62WM, D61A,D62DA	
	MM437982	BEARING SET, con rod STD	.	4	.	4	○ A75	For 61WM,62WM, D61A,D62DA	
	MM409608	BEARING SET, con rod STD	.	.	④	.			
	MM437982	BEARING SET, con rod STD	.	.	4	.	○ A75		
	MM408796	BEARING SET, con rod 0.25US	④	④	.	.		Exc.61WM,62WM	
	MM437983	BEARING SET, con rod 0.25US	4	4	.	.	○ A75	Exc.61WM,62WM	
	MM408796	BEARING SET, con rod 0.25US	.	④	.	.		For 61WM	
	MM409605	BEARING SET, con rod 0.25US	.	④	.	.	○ A73	For 61WM,62WM	
	MM435462	BEARING SET, con rod 0.25US	.	④	.	④	○ A73	For 61WM,62WM, D61A,D62DA	
	MM437983	BEARING SET, con rod 0.25US	.	4	.	4	○ A75	For 61WM,62WM, D61A,D62DA	
	MM409605	BEARING SET, con rod 0.25US	.	.	④	.			
	MM437983	BEARING SET, con rod 0.25US	.	.	4	.	○ A75		
	MM408797	BEARING SET, con rod 0.50US	④	④	.	.		Exc.61WM,62WM	
	MM437984	BEARING SET, con rod 0.50US	4	4	.	.	○ A75	Exc.61WM,62WM	
	MM408797	BEARING SET, con rod 0.50US	.	④	.	.		For 61WM	

1-04 MAIN MOVING PARTS

FIG. No. 1-04

1 ENGINE

Key No.	Part No.	Part Name	Model & No. Req'd				R / P	E / E	Remarks
			K4C	K4D	K4E	K4F			
	MM409606	BEARING SET, con rod 0.50US	•	④	•	•	○	A73	For 61WM,62WM
	MM435463	BEARING SET, con rod 0.50US	•	④	•	④	○	A74	For 61WM,62WM, D61A,D62DA
	MM437984	BEARING SET, con rod 0.50US	•	4	•	4	○	A75	For 61WM,62WM, D61A,D62DA
	MM409606	BEARING SET, con rod 0.50US	•	•	④	•			
	MM437984	BEARING SET, con rod 0.50US	•	•	4	•	○	A75	
	MM408798	BEARING SET, con rod 0.75US	④	④	•	•			Exc.61WM,62WM
	MM437985	BEARING SET, con rod 0.75US	4	4	•	•	○	A75	Exc.61WM,62WM
	MM408798	BEARING SET, con rod 0.75US	•	④	•	•			For 61WM
	MM409607	BEARING SET, con rod 0.75US	•	④	•	•	○	A73	For 61WM,62WM
	MM435464	BEARING SET, con rod 0.75US	•	④	•	④	○	A74	For 61WM,62WM, D61A,D62DA
	MM437985	BEARING SET, con rod 0.75US	•	4	•	4	○	A75	For 61WM,62WM, D61A,D62DA
	MM409607	BEARING SET, con rod 0.75US	•	•	④	•			
	MM437985	BEARING SET, con rod 0.75US	•	•	4	•	○	A75	
9	MM406570	GEAR, crankshaft	①	①	•	•			
	MM430859	GEAR, crankshaft	1	1	1	1	○		
10	MM408817	CRANKSHAFT	1	1	•				Exc. 61PA
	MM408896	CRANKSHAFT	•	1	1	1			For 61PA,K4E,F : all
11	MM408813	PULLEY, crankshaft	•	①	•	•			
11A	MM408823	PULLEY, crankshaft	①	①	①	•	○		
	MM436741	PULLEY, crankshaft	1	1	1	1	○	A80	Exc.61FT,ST
	MM436278	PULLEY, crankshaft	•	1	•	•			For 61FT,ST
12	MF430126	NUT (6T : 18)	1	1	1	1			
13	MF450010	WASHER, plain (18)	1	1	1	1			

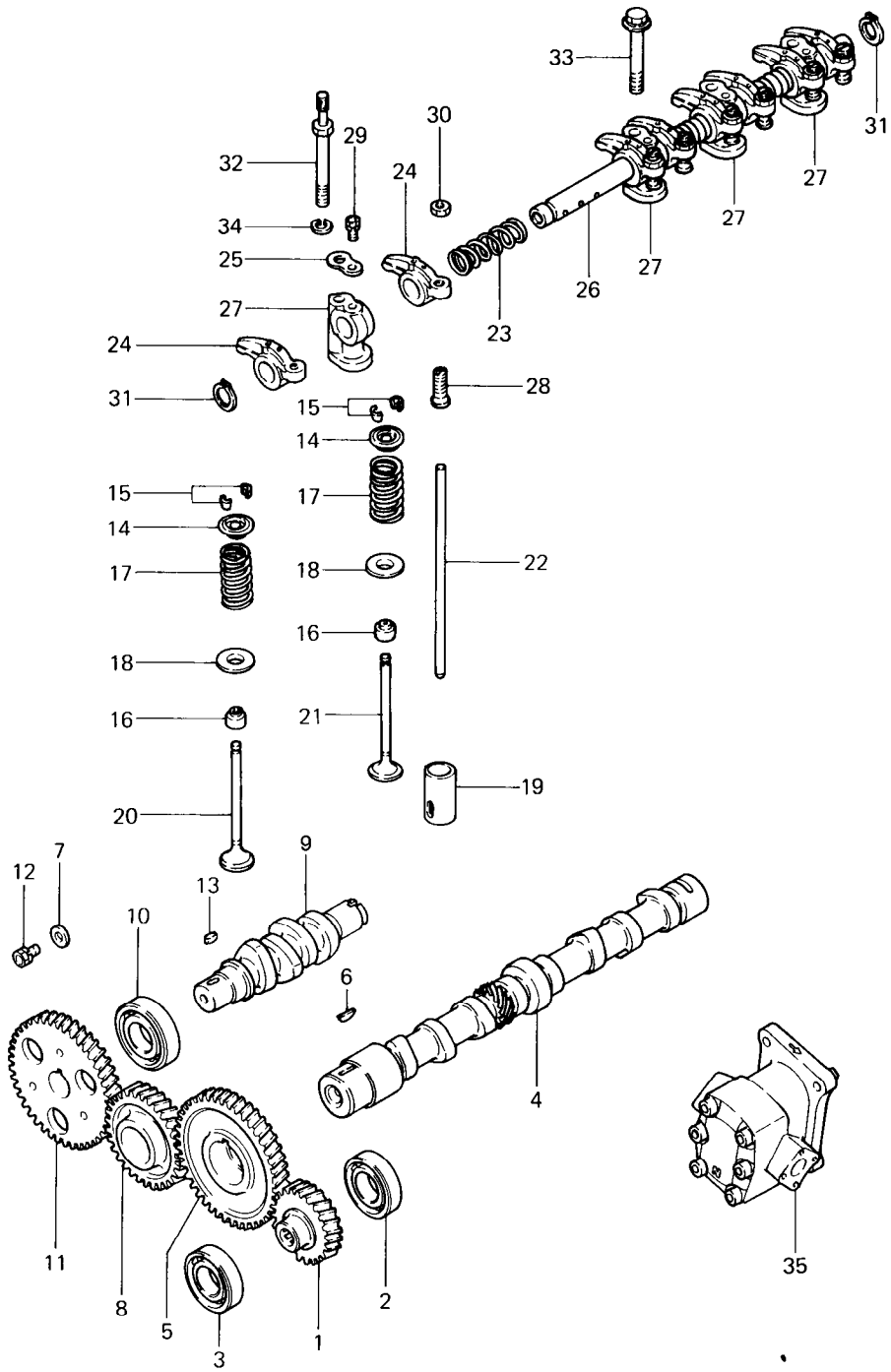
1-04 MAIN MOVING PARTS

1 ENGINE

FIG. No. 1-04

Key No.	Part No.	Part Name	Model & No. Req'd				R / P	E / E	Remarks
			K4C	K4D	K4E	K4F			
14	MF450410	WASHER, spring (18)	1	1	1	1			
15	MF476215	KEY, woodruff (5X19)	2	2	2	2			
16	MD002620	BOLT, flywheel	⑤	⑤	•	•			
17	MD014236	WASHER, special spring (12)	⑤	⑤	•	•			
18	MD952231	BOLT, drive plate	5	5	5	5	O		
19, 20	MM408855	FLYWHEEL ASSY	1	1	1	1		Exc. 61AG, DA, ES, FT, PA, SDG, ST, WM, 62DA, SDG, WM, D62DA For 61FT	
19, 20	MM408860	FLYWHEEL ASSY	1	•	•	•		For 61FT	
	MM408855	FLYWHEEL ASSY	•	①	•	•		For 61AG, 62DA	
	MM412965	FLYWHEEL ASSY	•	1	•	•		For 61AG	
	MM412946	FLYWHEEL ASSY	•	1	1	1	X A72	For 61DA, SDG, 62DA, D62DA	
	MM430867	FLYWHEEL ASSY	•	1	1	•		For 61ES, PA, 62SDG	
	MM437743	FLYWHEEL ASSY	•	1	•	•		For 61ST	
20	MD024812	GEAR, ring	1	1	1	1		Exc. 61FT, ST, WM, 62WM	
	MD000612	GEAR, ring	•	1	•	1		For 61FT, ST, WM, 62WM	
21	MD002613	BEARING, ball	1	1	1	•		For 61FT, MS, SA, TC	
	MD002613	BEARING, ball	•	•	①	•	A36	For 61DM	
	MM437991	BEARING, ball	•	1	•	•		For 61ST	
22	MF472403	PIN, dowel (6)	•	3	•	•		For 61ST	

FIG. No. 1-05



1-05 TIMING PARTS

FIG. No. 1-05

1 ENGINE

Key No.	Part No.	Part Name	Model & No. Req'd				R / P	E / E	Remarks
			K4C	K4D	K4E	K4F			
1	MM407265	GEAR, pressure oil pump	1	1	1	1			For 61MS,RA,SA,WH, D61A,K4E-61A
	MM409240	GEAR, pressure oil pump	1	1	1	1			For 61EM,TM,WM,62WM K4C-61SS
	MM409245	GEAR, pressure oil pump	•	1	1	•			For 61DM,SS
	MM409241	GEAR, pressure oil pump	•	1	•	•			For 61FT,ST
2	K7631161	BEARING, ball	①	①	•	•			Exc.61A
	K7631160	BEARING, ball	①	①	①	•	O		For 61DM,RA,SA,SS, WH,WM,K4E-61A
	MD712517	BEARING, ball	1	1	1	1	O	A48	For 61DM,EM,MS,SA, SS,TM,WH,WM,62WM, D61A,K4E-61A Exc. 61A
3	K7831160	BEARING, ball	①	①	•	•			
	MD700127	BEARING, ball	1	1	1	1	O		For 61EM,MS,SA,TM, WH,WM,62WM,D61A, K4C-61SS,K4E-61A For 61DM,SS
	K7631160	BEARING, ball	•	①	①	•			
	MD712517	BEARING, ball	•	1	1	1	O	A48	For 61DM,SS,ST
4	MM408907	CAMSHAFT	①	①	①	•			
	MM434614	CAMSHAFT	1	1	1	1	Y	A42	
5	MM406722	GEAR, camshaft	1	1	1	1			
6	MF476215	KEY, woodruff (5X19)	1	1	1	1			
7	MD000425	WASHER	1	1	1	1			
8	MM408908	GEAR ASSY, idle	1	1	1	1			
9	MM408965	CAMSHAFT, fuel injection pump	1	1	1	1			Exc.D61A,D62DA
	MM431416	CAMSHAFT, fuel injection pump	•	•	•	1			For D61A,D62DA
10	MM406682	BEARING, ball	①	①	•	•			
	MD703856	BEARING, ball	1	1	1	1	O		
11	MM406685	GEAR, injection pump camshaft	1	1	1	1			
12	MF241251	BOLT, with washer (7T : 8X16)	1	1	1	1			

# 1-05 TIMING PARTS

FIG. No. 1-05

1 ENGINE

Key No.	Part No.	Part Name	Model & No. Req'd				R / P	E / E	Remarks
			K4C	K4D	K4E	K4F			
13	MF476018	KEY, sunk (5×12)	1	1	1	1			
14	MD016482	RETAINER, valve spring	8	8	8	8			
15	MD016483	LOCK, valve spring retainer	16	16	16	16			
16	MD016490	SEAL, valve stem	8	8	8	8			
17	MM402381	SPRING, valve	8	8	8	8			
18	MM408459	SEAT, valve spring	·	·	8	8	A73	For 61DM,SM,WM,62WM	
19	MM402737	TAPPET	8	8	8	8			
20	MM408450	VALVE, intake	4	4	4	4		Exc. D61A, D62DA	
	MM433590	VALVE, intake	·	·	·	4		For D61A, D62DA	
21	MM408455	VALVE, exhaust	4	4	4	4		Exc. D61A, D62DA	
	MM433591	VALVE, exhaust	·	·	·	4		For D61A, D62DA	
22	MM408920	ROD, push	8	8	8	8			
23	MD000963	SPRING, rocker shaft	3	3	3	3			
24	MM406732	ROCKER ARM	8	8	8	8			
25	MM406745	WASHER, seat	2	2	2	2			
26	MM408936	SHAFT ASSY, rocker	1	1	1	1			
27	MM314770	STAY, rocker	4	4	4	4			
28	K7231220	SCREW, adjusting	8	8	8	8			
29	MF241225	BOLT, with washer (7T : 6×16)	2	2	2	2			
30	MF430726	NUT, jam (4T : 10)	8	8	8	8			
31	MF522010	SNAP RING (19)	2	2	2	2			
32	MM408950	BOLT	2	2	2	2			
33	MF244892	BOLT, with washer (7T : 10×70)	2	2	2	2			

1-05 TIMING PARTS

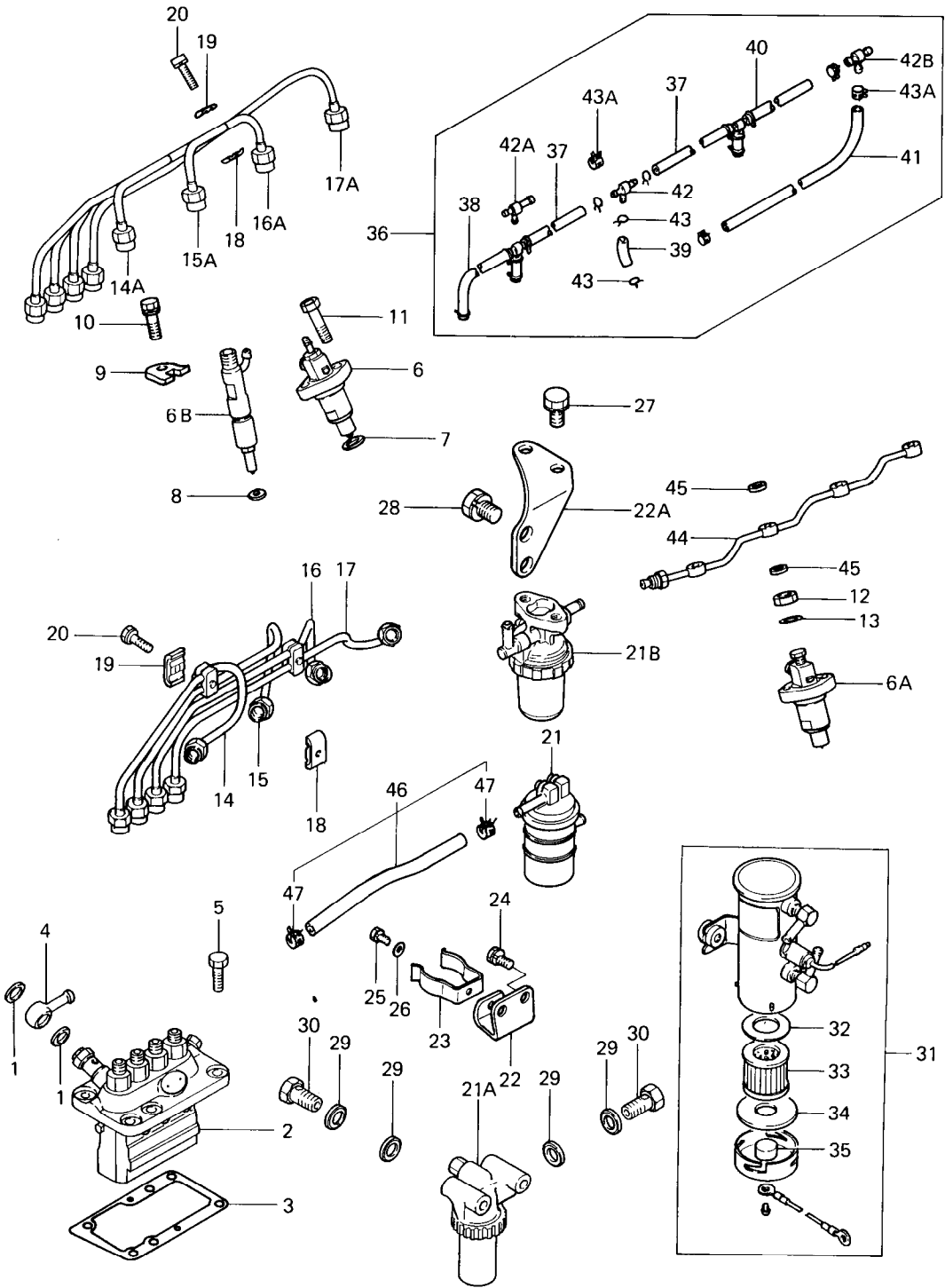
FIG. No. 1-05

1 ENGINE

Key No.	Part No.	Part Name	Model & No.Req'd				R / P	E / E	Remarks
			K4C	K4D	K4E	K4F			
34	MF450406	WASHER, spring (10)	2	2	2	2			
35	MM413501	PUMP ASSY, hydraulic	•	1	•	•		For 61FT,MS	
	MM435487	PUMP ASSY, hydraulic	•	1	•	•		For 61FT	
	MM437667	PUMP ASSY, hydraulic	•	1	•	•		For 61ST	
	MM437668	PUMP ASSY, hydraulic	•	1	•	•		For 61ST	



FIG. No. 2-01



## 2-01 FUEL SUPPLY PARTS

## 2 FUEL SYSTEM

FIG. No. 2-01

Key No.	Part No.	Part Name	Model & No. Req'd				R / P	E / E	Remarks
			K4C	K4D	K4E	K4F			
1	MK66114000	WASHER, seal	2	2	2	2			
2	MM409016	PUMP ASSY, fuel injection	1	.	.	.			For 61SS DENSO (See page 39)
	MM409012	PUMP ASSY, fuel injection	1	.	.	.			For 61JC DENSO (See page 39)
	MM409012	PUMP ASSY, fuel injection	①	.	.	.			For 61WH DENSO (See page 39)
	MM409263	PUMP ASSY, fuel injection	1	.	.	.	X	A6	For 61WH DENSO (See page 39)
	MM409016	PUMP ASSY, fuel injection	①	.	.	.			For 61A DENSO (See page 39)
	MM413224	PUMP ASSY, fuel injection	1	.	.	.	X	A76	For 61ASA DENSO (See page 39)
	MM409027	PUMP ASSY, fuel injection	.	①	.	.			For 61A DENSO (See page 39)
	MM409026	PUMP ASSY, fuel injection	.	1	.	.	X	A76	For 61A, FT, PA, SA, 62DA, SDG DENSO (See page 39)
	MM409026	PUMP ASSY, fuel injection	.	①	.	.			For 61SM, SS DENSO (See page 39)
	MM435568	PUMP ASSY, fuel injection	.	1	.	.	X	A70	For 61SM, SS, TM DENSO (See page 39)
	MM409027	PUMP ASSY, fuel injection	.	①	.	.			For 61WM DENSO (See page 39)
	MM409055	PUMP ASSY, fuel injection	.	①	.	.	Y	A7	For 61WM DENSO (See page 39)
	MM436930	PUMP ASSY, fuel injection	.	1	.	.	X	A73	For 61WM DENSO (See page 39)
	MM409057	PUMP ASSY, fuel injection	.	1	.	.			For 61AG DENSO (See page 39)
	MM433621	PUMP ASSY, fuel injection	.	1	.	.			For 61MS DENSO (See page 39)
	MM409026	PUMP ASSY, fuel injection	.	①	.	.			For 61DA DENSO (See page 39)
	MM436829	PUMP ASSY, fuel injection	.	1	.	.	X	A72	For 61DA, SDG DENSO (See page 39)
	MM436929	PUMP ASSY, fuel injection	.	1	.	.			For 61WM DENSO (See page 39)
	MM437666	PUMP ASSY, fuel injection	.	1	.	.			For 61ST DENSO (See page 39)
	MM436818	PUMP ASSY, fuel injection	.	1	.	.			For 61KL DENSO (See page 39)
	MM413239	PUMP ASSY, fuel injection	.	.	1	.			For 61A, RA, SA, SC, TC, 62DA DENSO (See page 39)
	MM413239	PUMP ASSY, fuel injection	.	.	①	.			For 61WH DENSO (See page 39)

2-01 FUEL SUPPLY PARTS

FIG. No. 2-01

2 FUEL SYSTEM

Key No.	Part No.	Part Name	Model & No. Req'd				R / P	E / E	Remarks
			K4C	K4D	K4E	K4F			
	MM433764	PUMP ASSY, fuel injection	•	•	1	•	O	A49	For 61WH DENSO (See page 39)
	MM413239	PUMP ASSY, fuel injection	•	•	①	•			For 61DM DENSO (See page 39)
	MM413254	PUMP ASSY, fuel injection	•	•	①	•	X	A50	For 61DM, SM DENSO (See page 40)
	MM434297	PUMP ASSY, fuel injection	•	•	1	•	X	A51	For 61DM, SM DENSO (See page 40)
	MM435569	PUMP ASSY, fuel injection	•	•	1	•			For 61EM, TM DENSO (See page 40)
	MM433772	PUMP ASSY, fuel injection	•	•	1	•			For 61ES DENSO (See page 40)
	MM435725	PUMP ASSY, fuel injection	•	•	1	•			For 61DA DENSO (See page 40)
	MM437176	PUMP ASSY, fuel injection	•	•	•	1			For 61WM DENSO (See page 40)
	MM437177	PUMP ASSY, fuel injection	•	•	•	1			For 62WM DENSO (See page 40)
	MM435944	PUMP ASSY, fuel injection	•	•	•	1			For D61A, D62DA DENSO (See page 40)
3	MM409898	SHIM SET, adjusting	S	S	S	S			t=0.2, 0.3, 0.4, 0.8
4	MM409126	COLLAR, union	1	1	1	1			Exc. 61ES, WH
	MM409125	COLLAR, union	1	•	1	•			For 61WH
	MM437140	COLLAR, union	•	•	1	•			For 61ES
5	MF100055	BOLT (4T : 8×20)	6	6	6	6			
6	MM402971	NOZZLE & HOLDER ASSY	④	•	•	•			
	MM401110	NOZZLE & HOLDER ASSY	4	4	4	•	O		Exc. 61DM, SM, SS, TM, WM, 62WM
6A	MM408880	NOZZLE & HOLDER ASSY	4	4	4	4	#	A8	For 61DM, SM, SS, TM, WM, 62WM
6B	MM432624	NOZZLE & HOLDER ASSY	•	•	•	4			For D61A, D62DA
7	K6515430	GASKET, nozzle holder	4	4	4	4			Exc. D61A, D62DA
8	MM432045	GASKET, nozzle holder	•	•	•	4			For D61A, D62DA
9	MM437137	SUPPORT, nozzle	•	•	•	4			For D61A, D62DA
10	MF244855	BOLT, with washer (7T : 8×30)	•	•	•	4			For D61A, D62DA

2-01 FUEL SUPPLY PARTS

2 FUEL SYSTEM

FIG. No. 2-01

Key No.	Part No.	Part Name	Model & No. Req'd				R / P	E / E	Remarks
			K4C	K4D	K4E	K4F			
11	MF101260	BOLT (7T : 8X32)	8	8	8	8			Exc.D61A,D62DA
12	MF430006	NUT (4T : 10)	4	4	•	•			For 61SS
13	MF450005	WASHER, plain (8)	4	4	•	•			For 61SS
14	MM409094	PIPE ASSY, fuel injection No.1	1	1	1	•			Exc.61AG,DM,EM,SDG, SM,ST,TM,WM,62WM, K4D-61SS
	MM430954	PIPE ASSY, fuel injection No.1	•	1	1	•			For 61AG,EM,SDG,SS, ST,TM,K4D-61SM
	MM409094	PIPE ASSY, fuel injection No.1	•	①	•	•	A96		For 61WM,62WM
	MM430954	PIPE ASSY, fuel injection No.1	•	•	①	•			For 61DM
	MM431567	PIPE ASSY, fuel injection No.1	•	1	1	1	O	A52	For 61DM,SM,WM,62WM
14A	MM431423	PIPE ASSY, fuel injection No.1	•	•	•	1			For D61A,D62DA
15	MM409095	PIPE ASSY, fuel injection No.2	1	1	1	•			Exc.61AG,DM,EM,SDG, SM,ST,TM,WM, 62WM,K4D-61SS
	MM430955	PIPE ASSY, fuel injection No.2	•	1	1	•			For 61AG,EM,SDG, SS,ST,TM,K4D-61SM
	MM409095	PIPE ASSY, fuel injection No.2	•	①	•	•	A96		For 61WM,62WM
	MM430955	PIPE ASSY, fuel injection No.2	•	•	①	•			For 61DM
	MM431568	PIPE ASSY, fuel injection No.2	•	1	1	1	O	A52	For 61DM,SM,WM,62WM
15A	MM431424	PIPE ASSY, fuel injection No.2	•	•	•	1	O		For D61A,D62DA
16	MM409096	PIPE ASSY, fuel injection No.3	1	1	1	•			Exc.61AG,DM,EM,SDG, SM,ST,TM,WM, 62WM,K4D-61SS
	MM430956	PIPE ASSY, fuel injection No.3	•	1	1	•			For 61AG,EM,SDG, SS,ST,TM,K4D-61SM
	MM409096	PIPE ASSY, fuel injection No.3	•	①	•	•	A96		For 61WM,62WM
	MM430956	PIPE ASSY, fuel injection No.3	•	•	①	•			For 61DM
	MM431569	PIPE ASSY, fuel injection No.3	•	1	1	1	O	A52	For 61DM,SM,WM,62WM
16A	MM431425	PIPE ASSY, fuel injection No.3	•	•	•	1			For D61A,D62DA
17	MM409097	PIPE ASSY, fuel injection No.4	1	1	1	•			Exc. 61AG,DM,EM,SDG, SM,ST,TM,WM,62WM, K4D-61SS
	MM430957	PIPE ASSY, fuel injection No.4	•	1	1	•			For 61AG,EM,SDG, SS,ST,TM,K4D-61SM

## 2-01 FUEL SUPPLY PARTS

FIG. No. 2-01

2 FUEL SYSTEM

Key No.	Part No.	Part Name	Model & No. Req'd				R / P	E / E	Remarks
			K4C	K4D	K4E	K4F			
	MM409097	PIPE ASSY, fuel injection No.4	•	①	•	•	A96	For 61WM,62WM	
	MM430957	PIPE ASSY, fuel injection No.4	•	•	①	•		For 61DM	
	MM431570	PIPE ASSY, fuel injection No.4	•	1	1	1	O	A52 For 61DM,SM,WM,62WM	
17A	MM431426	PIPE ASSY, fuel injection No.4	•	•	•	1		For D61A,D62DA	
18	MM400956	CLAMP (B)	③	③	•	•			
	MM430614	CLAMP (B)	2	2	2	2	O		
	MM430614	CLAMP (B)	①	①	①	•	A81		
19	MM400955	CLAMP (A)	③	③	•	•			
	MM430703	CLAMP (A)	2	2	2	2	O		
	MM430703	CLAMP (A)	①	①	①	•	A81		
20	MF243628	BOLT, with washer (4T : 6×25)	2	2	2	2			
	MF243628	BOLT, with washer (4T : 6×25)	①	①	①	•	A81		
21	MM400861	FILTER ASSY, fuel	①	①	①	•		For 61A,AG,SA,SS	
	MM435190	FILTER ASSY, fuel	1	1	1	1	O	A53 Exc. 61DM,PA,RA,SM, TM,WH,WM,62WM	
21A	K9442113	FILTER ASSY, fuel	•	1	•	1		For 61WM,62WM	
21B	MM408870	FILTER ASSY, fuel	1	•	1	•		For 61WH	
	MM408898	FILTER ASSY, fuel	•	1	•	•		For 61PA	
22	MM409121	SUPPORT, fuel filter	1	1	1	1		Exc.61DM,PA,RA,SM, TM,WH,WM,62WM	
22A	MM409120	SUPPORT, fuel filter	1	•	1	•		For 61WH	
	MM431553	SUPPORT, fuel filter	•	1	•	•		For 61PA	
23	MM400880	CLAMP, filter	1	1	1	1		Exc.61DM,PA,RA,SM, TM,WH,WM,62WM	
24	MF240051	BOLT, with washer (4T : 8×16)	2	2	2	2		Exc.61DM,RA,SM,TM, WH,WM,62WM	
25	MF241223	BOLT, with washer (7T : 6×12)	1	1	1	1		Exc.61DM,PA,RA,SM, TM,WH,WM,62WM	

2-01 FUEL SUPPLY PARTS

2 FUEL SYSTEM

FIG. No. 2-01

Key No.	Part No.	Part Name	Model & No.Req'd				R / P	E / E	Remarks
			K4C	K4D	K4E	K4F			
26	MF450004	WASHER, plain (6)	①	①	①	•		A82	Exc.61DM,PA,RA,SM, TM,WH,WM
27	MF240080	BOLT, with washer (4T : 10X20)	2	1	2	•			For 61PA,WH
28	MF240105	BOLT, with washer (4T : 12X20)	2	•	2	•			For 61WH
29	MK66114000	WASHER, seal	•	4	•	4			For 61WM,62WM
30	MM100090	BOLT, eye (14)	•	②	•	•			For 61WM
	MH037087	BOLT, eye (14)	•	2	•	2	○	A28	For 61WM,62WM
31	MD025280	PUMP ASSY, electric fuel	1	1	1	•			For 61ES,MS,SA,SDG, ST,TC,WH,62SDG
	MM408993	PUMP ASSY, electric fuel	•	1	•	1			For 61WM,62WM
	MM408998	PUMP ASSY, electric fuel	•	1	1	•			For 61KL,RA
	MM200542	PUMP ASSY, electric fuel	•	•	1	•			For 61EM
32	MM409881	GASKET (coil side)	1	1	1	1			For 61EM,ES,KL,MS,RA, SA,SDG,ST,TC,WH,WM, 62SDG,WM
33	MM408992	FILTER, fuel pump	1	1	1	1			For 61EM,ES,KL,MS,RA, SA,SDG,ST,TC,WH,WM, 62SDG,WM
34	MM409880	GASKET (cover side)	1	1	1	1			For 61EM,ES,KL,MS,RA, SA,SDG,ST,TC,WH, WM,62SDG,WM
35	MM409882	MAGNET	1	1	1	1			For 61EM,ES,KL,MS,RA, SA,SDG,ST,TC,WH, WM,62SDG,WM
36	MM409101	PIPE ASSY, fuel return	1	•	•	•			For 61JC
	MM409101	PIPE ASSY, fuel return	①	•	•	•		A9	For 61SS,61WH
	MM409104	PIPE ASSY, fuel return	1	1	1	•	X	A10	Exc.61AG,DM,ES,JC,SM, SS,TM,WM,62WM
	MM413194	PIPE ASSY, fuel return	•	1	•	•			For 61AG
	MM436474	PIPE ASSY, fuel return	•	•	•	1			For D61A,D62DA
	MM437785	PIPE ASSY, fuel return	•	•	1	•			For 61ES
37	MM413104	PIPE, rubber (4X80)	2	2	2	2		A29	Exc. 61DM,ES,SM,SS,TM, WM,62WM
	MM430131	PIPE, rubber (5X80)	•	•	2	•			For 61ES
38	MM413107	PIPE, rubber (4X110)	1	1	1	1		A29	Exc.61DM,ES,SM,SS, TM,WM,62WM

## 2-01 FUEL SUPPLY PARTS

## 2 FUEL SYSTEM

FIG. No. 2-01

Key No.	Part No.	Part Name	Model & No.Req'd				R / P	E / E	Remarks
			K4C	K4D	K4E	K4F			
	MM430806	PIPE, rubber (5X110)	•	•	1	•		For 61ES	
39	MM413132	PIPE, rubber (4X35)	3	3	3	3	A29	Exc.61DM,ES,SM,SS, TM,WM,62WM	
	MM430130	PIPE, rubber (5X35)	•	•	3	•		For 61ES	
40	MM413119	PIPE, rubber (4X255)	•	1	•	•		For 61AG	
	MM413117	PIPE, rubber (4X225)	1	•	•	•		For 61JC	
	MS604026	PIPE, rubber (5X180)	•	•	1	•		For 61ES	
41	MS604037	PIPE, rubber (5X360)	•	•	1	•		For 61ES	
42	MM100088	JOINT	③	•	•	•	A9	For 61SS,61WH	
	MM100088	JOINT	2	2	2	2	X A10	Exc.61AG,DM,ES,JC, SM,SS,TM,WM,62WM	
	MM100088	JOINT	3	3	•	•		For 61AG,JC	
42A	MM400886	JOINT	1	1	1	1	X A10	Exc.61AG,DM,ES,JC, SM,SS,TM,WM,62WM	
42B	MM437198	JOINT, T	•	•	3	•		For 61ES	
43	MM100089	CLAMP, hose	⑬	•	•	•	A9	For 61SS,61WH	
	MM100089	CLAMP, hose	12	12	12	8	X A10	Exc.61AG,DM,ES,JC, SM,SS,TM,WM,62WM	
	MM100089	CLAMP, hose	13	13	•	•		For 61AG,JC	
43A	MS660169	CLAMP, hose (10)	•	•	16	•		For 61ES	
44	MM409078	PIPE ASSY, fuel return	•	①	•	•		For 61WM	
	MM409743	PIPE ASSY, fuel return	•	1	1	1	X A11	For 61DM,SM,TM,WM, 62WM	
45	MK66108000	WASHER, seal	•	8	8	8		For 61DM,SM,TM,WM, 62WM	
46	MM406922	HOSE ASSY, fuel	①	•	•	•		For 61WH	
	MM406924	HOSE ASSY, fuel	1	•	1	•	O	For 61WH	
	MM409069	HOSE ASSY, fuel	1	1	1	1		Exc.61DM,SM,TM,WH, WM,62WM,K4D-61SS	
47	MS661006	CLAMP, hose (15)	②	•	•	•		For 61WH	

2-01 FUEL SUPPLY PARTS

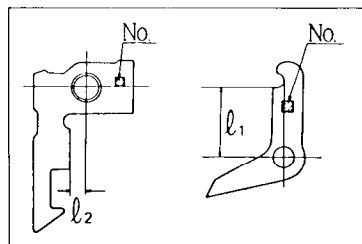
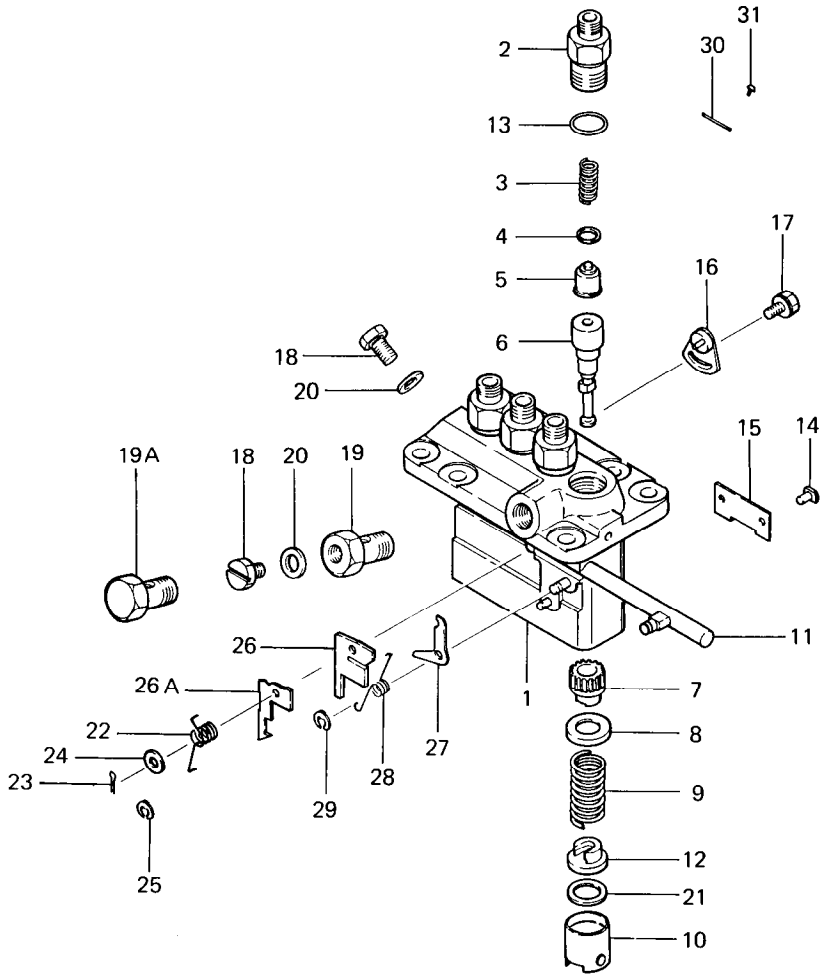
2 FUEL SYSTEM

FIG. No. 2-01

Key No.	Part No.	Part Name	Model & No. Req'd				R / P	E / E	Remarks
			K4C	K4D	K4E	K4F			
	MS660164	CLIP, hose (13.1)	2	·	2	·	○	For 61WH	
	MS660004	CLAMP, hose (13)	②	②	·	·		For 61A,61SS	
	MS660163	CLIP, hose (11.6)	2	2	2	2	○	Exc. 61DM, SM, TM, WH, WM, 62WM, K4D-61SS	



FIG. No. 2-02



2-02 FUEL INJECTION PUMP

FIG. No. 2-02

2 FUEL SYSTEM

Key No.	Part No.	Part Name	Model & No.Req'd				R / P	E / E	Remarks
			K4C	K4D	K4E	K4F			
1~31	MM409016	PUMP ASSY, fuel injection	1	.	.	.			For 61SS DENSO
	MM409012	PUMP ASSY, fuel injection	1	.	.	.			For 61JC DENSO
	MM409027	PUMP ASSY, fuel injection	.	①	.	.			For 61WM DENSO
	MM409055	PUMP ASSY, fuel injection	.	①	.	.	Y	A7	For 61WM DENSO
	MM436930	PUMP ASSY, fuel injection	.	1	.	.	X	A73	For 61WM DENSO
	MM409057	PUMP ASSY, fuel injection	.	1	.	.			For 61AG DENSO
	MM433621	PUMP ASSY, fuel injection	.	1	.	.			For 61MS DENSO
	MM409012	PUMP ASSY, fuel injection	①	.	.	.			For 61WH DENSO
	MM409263	PUMP ASSY, fuel injection	1	.	.	.	X	A6	For 61WH DENSO
	MM409016	PUMP ASSY, fuel injection	①	.	.	.			For 61A DENSO
	MM413224	PUMP ASSY, fuel injection	1	.	.	.	X	A76	For 61ASA DENSO
	MM409027	PUMP ASSY, fuel injection	.	①	.	.			For 61A DENSO
	MM409026	PUMP ASSY, fuel injection	.	1	.	.	X	A76	For 61A,FT,PA,SA, 62DA,SDG DENSO
	MM409026	PUMP ASSY, fuel injection	.	①	.	.			For 61DA,SM,SS DENSO
	MM435568	PUMP ASSY, fuel injection	.	1	.	.	X	A70	For 61SM,SS,TM DENSO
	MM436829	PUMP ASSY, fuel injection	.	1	.	.	X	A72	For 61DA,SDG DENSO
	MM436929	PUMP ASSY, fuel injection	.	1	.	.			For 61WM DENSO
	MM437666	PUMP ASSY, fuel injection	.	1	.	.			For 61ST DENSO
	MM436818	PUMP ASSY, fuel injection	.	1	.	.			For 61KL DENSO
	MM413239	PUMP ASSY, fuel injection	.	.	1	.			For 61A,RA,SA,SC,TC, 62DA DENSO
	MM413239	PUMP ASSY, fuel injection	.	.	①	.			For 61WH DENSO
	MM433764	PUMP ASSY, fuel injection	.	.	1	.	O	A49	For 61WH DENSO
	MM413239	PUMP ASSY, fuel injection	.	.	①	.			For 61DM DENSO

2-02 FUEL INJECTION PUMP

2 FUEL SYSTEM

FIG. No. 2-02

Key No.	Part No.	Part Name	Model & No. Req'd				R / P	E / E	Remarks
			K4C	K4D	K4E	K4F			
	MM413254	PUMP ASSY, fuel injection	•	•	①	•	X	A50	For 61DM,SM DENSO
	MM434297	PUMP ASSY, fuel injection	•	•	1	•	X	A51	For 61DM,SM DENSO
	MM435569	PUMP ASSY, fuel injection	•	•	1	•			For 61EM,TM DENSO
	MM433772	PUMP ASSY, fuel injection	•	•	1	•			For 61ES DENSO
	MM435725	PUMP ASSY, fuel injection	•	•	1	•			For 61DA DENSO
	MM437176	PUMP ASSY, fuel injection	•	•	•	1			For 61WM DENSO
	MM437177	PUMP ASSY, fuel injection	•	•	•	1			For 62WM DENSO
	MM435944	PUMP ASSY, fuel injection	•	•	•	1			For D61A,D62DA DENSO
1	MM501070	HOUSING SUB ASSY, pump	1	1	•	•			For 61AG,JC, K4C-61SS
	MM501070	HOUSING SUB ASSY, pump	①	①	•	•		A96	For 61A,WH,WM
	MM501253	HOUSING SUB ASSY, pump	1	1	1	1	X	A6	Exc. 61AG,JC, K4C-61SS
2	MM500224	HOLDER, delivery valve	4	4	4	4			Exc. D61A,D62DA
	MM501754	HOLDER, delivery valve	•	•	•	4			For D61A,D62DA
3	MM501161	SPRING, delivery valve	4	4	4	•			For 61AG,ES,KL, K4E-61DA,K4C : all
	MM501047	SPRING, delivery valve	•	4	4	4			Exc. 61AG,ES,KL,ST, K4E-61DA
4	MM500336	GASKET, delivery valve	4	4	4	•			Exc. 61SDG,WM,62WM, K4D-61DA
5	MM500227	VALVE SUB ASSY, delivery	4	4	4	4			For 61A,FT,KL,DA,PA, RA,SA,SC,ST,WM, 62DA,WM,SDG, K4C-61SS,K4E-61WH
	MM501046	VALVE SUB ASSY, delivery	4	•	4	•			For 61ES,JC, K4C-61WH
	MM501076	VALVE SUB ASSY, delivery	•	4	•	•			For 61AG, MS
	MM501961	VALVE SUB ASSY, delivery	•	4	4	•			For 61DM,EM,SM,TM, K4D-61SS
	MM501980	VALVE SUB ASSY, delivery	•	4	•	•			For 61DA,SDG
	MM514105	VALVE SUB ASSY, delivery	•	•	•	4			For 61WM,62WM
	MM501862	VALVE SUB ASSY, delivery	•	•	•	4			For D61A,D62DA

2-02 FUEL INJECTION PUMP

2 FUEL SYSTEM

FIG. No. 2-02

Key No.	Part No.	Part Name	Model & No. Req'd				R / P	E / E	Remarks
			K4C	K4D	K4E	K4F			
6	MM501179	ELEMENT SUB ASSY, pump	4	4	•	•			Exc. 61AG, FT, MS, PA, SM, TM, 62DA, SDG, K4D-61A, SA, SS Exc. 61DA, ES, KL, SDG, ST, WM, 62WM
	MM501254	ELEMENT SUB ASSY, pump	•	4	4	•			
	MM501071	ELEMENT SUB ASSY, pump	•	•	4	•		For 61ES	
	MM514043	ELEMENT SUB ASSY, pump	•	•	4	•		For 61DA	
	MM500228	ELEMENT SUB ASSY, pump	•	•	•	4		For 61WM, 62WM	
	MM501896	ELEMENT SUB ASSY, pump	•	•	•	4		For D61A, D62DA	
7	MM500229	SLEEVE, plunger control	4	4	4	4			
8	MM501098	SEAT, spring upper	4	4	4	4			
9	MM500360	SPRING, pump plunger	4	4	4	4			
10	MM500230	TAPPET SUB ASSY	4	4	4	4			
11	MM501216	RACK ASSY, control	1	1	•	•	O		For 61AG, JC, K4C-61SS
	MM501216	RACK ASSY, control	①	①	•	•	A96		For 61A, WM
	MM501072	RACK ASSY, control	①	①	•	•			For 61WH, K4D-61A
	MM501255	RACK ASSY, control	1	1	1	1	X	A6	Exc. 61AG, JC, K4C-61SS
	MM501255	RACK ASSY, control	①	①	•	•		A96	For 61A, WM
12	MM500316	SEAT, spring lower	4	4	4	4			
13	MM500438	O-RING	4	4	4	4			
14	MM500231	PIN, tappet guide	4	4	4	4			
15	MM500232	PLATE	2	2	2	2			
16	MM501077	PLATE ASSY, adjusting	3	3	3	•			Exc. 61ST
	MM514109	PLATE ASSY, adjusting	•	3	•	3			For 61ST, K4F : all
17	MM501244	BOLT, with washer	3	3	3	3			
18	MM501152	SCREW, air breather	2	2	2	2			(D61A, D62DA : 1pc.)

2-02 FUEL INJECTION PUMP

FIG. No. 2-02

2 FUEL SYSTEM

Key No.	Part No.	Part Name	Model & No. Req'd				R / P	E / E	Remarks
			K4C	K4D	K4E	K4F			
19	MM500446	SCREW, hollow	1	1	1	1		Exc.D61A,D61DA, K4D-62WM	
	MM500100	SCREW, hollow	•	1	•	1		For D61A,D61DA, K4D-62WM	
20	MM500114	WASHER	2	2	2	2		(D61A,D62DA : 1pc.)	
21	MM500299	SHIM, plate (0.6t)	C	C	C	C			
	MM500309	SHIM, plate (0.2t)	C	C	C	C			
	MM500310	SHIM, plate (0.3t)	C	C	C	C			
	MM500311	SHIM, plate (0.4t)	C	C	C	C			
	MM500312	SHIM, plate (0.5t)	C	C	C	C			
	MM500314	SHIM, plate (0.25t)	C	C	C	C			
	MM500315	SHIM, plate (0.35t)	C	C	C	C			
	MM501246	SHIM, plate (0.45t)	C	C	C	C			
	MM501364	SHIM, plate (0.55t)	C	C	C	C			
	MM501365	SHIM, plate (0.65t)	C	C	C	C			
22	MM501073	SPRING, return	1	1	1	•		For 61DM,EM,KL,SM,SS, ST,TM,WH,K4C : all	
	MM501074	SPRING, return	•	1	•	•		For 61A,FT,PA,SA	
	MM501074	SPRING, return	•	①	•	•	A97	For 61DA,WM	
	MM501247	SPRING, return	•	1	1	•		For 61AG,D61A,D62DA, K4E-61A,DA,ES,RA, SA,SC,TC,62DA	
	MM501459	SPRING, return	•	1	•	1	Y A7	For 61WM,62WM	
	MM501676	SPRING, return	•	1	•	•	X A72	For 61DA,MS,SDG	
23	MM500431	PIN, split	①	①	•	•			
24	MM500928	WASHER, plate	①	①	•	•			
25	MM501496	E-RING	1	1	1	1	X		
26	MM501605	STOPPER mark : 68	C	•	•	•		For 61SS	

2-02 FUEL INJECTION PUMP

2 FUEL SYSTEM

FIG. No. 2-02

Key No.	Part No.	Part Name	Model & No.Req'd				R / P	E / E	Remarks
			K4C	K4D	K4E	K4F			
	MM501606	STOPPER mark : 70	C	.	.	.		For 61SS	
	MM501607	STOPPER mark : 71	C	.	.	.		For 61JC,SS	
	MM501608	STOPPER mark : 73	C	.	.	.		For 61JC,SS	
	MM501609	STOPPER mark : 74	C	C	.	.		For 61AG,JC, K4C-61SS	
	MM501610	STOPPER mark : 76	C	C	.	.		For 61AG,JC, K4C-61SS	
	MM501611	STOPPER mark : 77	C	C	.	.		For 61AG,JC, K4C-61SS	
	MM501612	STOPPER mark : 79	C	C	.	.		For 61AG,JC, K4C-61SS	
	MM501613	STOPPER mark : 80	C	C	.	.		For 61AG,JC, K4C-61SS	
	MM501614	STOPPER mark : 82	C	C	.	.		For 61AG,JC, K4C-61SS	
	MM501615	STOPPER mark : 83	C	C	.	.		For 61AG,JC	
	MM501616	STOPPER mark : 85	C	C	.	.		For 61AG,JC	
	MM501617	STOPPER mark : 86	.	C	.	.		For 61AG	
	MM501618	STOPPER mark : 88	.	C	.	.		For 61AG	
	MM501060	STOPPER mark : 66	C	.	.	.		For 61JC	
	MM501061	STOPPER mark : 69	C	.	.	.		For 61SS	
	MM501062	STOPPER mark : 72	C	.	.	.		For 61JC,SS	
	MM501063	STOPPER mark : 75	C	C	.	.		For 61AG,JC, K4C-61SS	
	MM501064	STOPPER mark : 78	C	C	.	.		For 61AG,JC, K4C-61SS	
	MM501065	STOPPER mark : 81	C	C	.	.		For 61AG,JC, K4C-61SS	
	MM501066	STOPPER mark : 84	C	C	.	.		For 61AG,JC	
	MM501067	STOPPER mark : 87	.	C	.	.		For 61AG	
26A	MM514041	PLATE, smoke set mark : 50	.	.	C	.		For 62WM	
	MM514042	PLATE, smoke set mark : 49	.	.	C	.		For 62WM	

2-02 FUEL INJECTION PUMP

2 FUEL SYSTEM

FIG. No. 2-02

Key No.	Part No.	Part Name	Model & No. Req'd				R / P	E / E	Remarks
			K4C	K4D	K4E	K4F			
	MM501262	PLATE, smoke set mark : 51	•	•	C	•		For 61DA,SDG,WM,62WM	
	MM501562	PLATE, smoke set mark : 52	•	•	C	•		For 61DA,SDG,WM,62WM	
	MM501263	PLATE, smoke set mark : 53	•	C	C	•		For 61DM,KL,SDG,ST, K4D-61DA,WM,62WM, K4E-61SM	
	MM501563	PLATE, smoke set mark : 54	C	C	C	C	A6	For 61DM,KL,SDG,ST,WM, 62WM,D61A,D62DA, K4C-61A,SA,K4D-61DA, K4E-61SM	
	MM501264	PLATE, smoke set mark : 55	C	C	C	C	A6	For 61DM,KL,SDG,ST,WM, 62WM,D61A,D62DA, K4C-61A,SA,K4D-61DA, K4E-61SM	
	MM501564	PLATE, smoke set mark : 56	C	C	C	C	A6	For 61DM,KL,SDG,SM, ST,WM,62WM,K4C-61A, SA,K4D-61DA,SS,TM	
	MM501265	PLATE, smoke set mark : 57	C	C	C	C	A6	For 61DM,KL,SDG,SM, ST,WM,62WM,K4C-61A, SA,K4D-61DA,SS,TM	
	MM501565	PLATE, smoke set mark : 58	C	C	C	C	A6	Exc. 61AG,ES,JC,SC,TC, D61A,D62DA,K4C-61SS, K4E-61A,DA,RA, SA,WH,62DA	
	MM501266	PLATE, smoke set mark : 59	C	C	C	C	A6	Exc. 61AG,ES,JC,SC,TC, D61A,D62DA,K4C-61SS, K4E-61A,DA,RA, SA,WH,62DA	
	MM501566	PLATE, smoke set mark : 60	C	C	C	C		Exc. 61AG,JC,SC,TC, D61A,D62DA,K4C-61SS, K4E-61A,DA,RA,SA, WH,62DA	
	MM501267	PLATE, smoke set mark : 61	C	C	C	C		Exc. 61AG,D61A,D62DA, K4C-61SS,K4E-61DA	
	MM501567	PLATE, smoke set mark : 62	C	C	C	C		Exc. 61AG,JC,D61A,D62DA, K4C-61SS,K4E-61DA	
	MM501268	PLATE, smoke set mark : 63	C	C	C	C	A6	Exc. 61AG,JC,D61A,D62DA, K4C-61SS,K4E-61DA	
	MM501568	PLATE, smoke set mark : 64	C	C	C	C	A6	Exc. 61AG,JC,D61A,D62DA, K4C-61SS,K4D-62WM, K4E-61DA	
	MM501269	PLATE, smoke set mark : 65	C	C	C	C	A6	Exc. 61AG,JC,D61A,D62DA, K4C-61SS,K4D-62WM, K4E-61DA	
	MM501569	PLATE, smoke set mark : 66	C	C	C	C	A6	Exc. 61AG,JC,SDG,D61A, D62DA,K4C-61SS, K4D-61WM,62WM	
	MM501270	PLATE, smoke set mark : 67	C	C	C	C	A6	Exc. 61AG,JC,SDG, K4C-61SS,K4D-61WM, 62WM	
	MM501570	PLATE, smoke set mark : 68	C	C	C	C	A6	Exc. 61AG,JC,KL,SDG, ST,K4C-61SS, K4D-61WM,62WM	
	MM501271	PLATE, smoke set mark : 69	C	C	C	C	A6	Exc. 61AG,JC,KL,SDG, ST,WM,62WM, K4C-61A,SA,SS	
	MM501571	PLATE, smoke set mark : 70	C	C	C	C	A6	Exc. 61AG,JC,KL,SDG, ST,WM,62WM, K4C-61A,SA,SS	
	MM501272	PLATE, smoke set mark : 71	C	C	C	C	A6	Exc. 61AG,JC,KL,SDG, SS,ST,WM,62WM, K4C-61A,K4D-61TM	
	MM501572	PLATE, smoke set mark : 72	C	C	C	C	A6	Exc. 61AG,JC,KL,SDG, SS,ST,WM,62WM, K4C-61A,K4D-61TM	
	MM501273	PLATE, smoke set mark : 73	•	•	C	C	A6	Exc. 61EM,TM,WM, 62WM	

2-02 FUEL INJECTION PUMP

2 FUEL SYSTEM

FIG. No. 2-02

Key No.	Part No.	Part Name	Model & No. Req'd				R / P	E / E	Remarks
			K4C	K4D	K4E	K4F			
	MM501573	PLATE, smoke set mark : 74	•	•	C	C		A6	Exc.61EM,TM,WM, 62WM
	MM501274	PLATE, smoke set mark : 75	•	•	C	C		A26	Exc.61EM,ES,TM,WM, 62WM
	MM501574	PLATE, smoke set mark : 76	•	•	C	C			For 61DA,D61A, D62DA
	MM501275	PLATE, smoke set mark : 77	•	•	C	C			For 61DA,D61A, D62DA
	MM501575	PLATE, smoke set mark : 78	•	•	C	C			For 61DA,D61A, D62DA
	MM501386	PLATE, smoke set mark : 79	•	•	C	C			For 61DA,D61A, D62DA
	MM501576	PLATE, smoke set mark : 80	•	•	•	C			For D61A,D62DA
	MM501387	PLATE, smoke set mark : 81	•	•	•	C			For D61A,D62DA
27	MM501257	PLATE, angleich set mark : 1	C	C	•	•			For 61A,FT,MS,PA,WM, SA,SM,TM,62DA,SDG, K4D-61SS
	MM501258	PLATE, angleich set mark : 2	C	C	•	•			For 61A,FT,MS,PA,WM, SA,SM,TM,62DA,SDG, K4D-61SS
	MM501259	PLATE, angleich set mark : 3	C	C	•	•			For 61A,FT,MS,PA,WM, SA,SM,TM,62DA,SDG, K4D-61SS
	MM501260	PLATE, angleich set mark : 4	C	C	•	•			For 61A,FT,MS,PA,WM, SA,SM,TM,62DA,SDG, K4D-61SS
	MM501261	PLATE, angleich set mark : 5	C	C	•	•			For 61A,FT,MS,PA,WM, SA,SM,TM,62DA,SDG, K4D-61SS
	MM501497	PLATE, angleich set mark : 6	•	C	C	C			For 61DM,EM,ES,KL, RA,SC,ST,TC,WH, D61A,D62DA,K4E-61A, SA,SM,TM,62DA
	MM501498	PLATE, angleich set mark : 7	•	C	C	C			For 61DM,EM,ES,KL, RA,SC,ST,TC,WH, D61A,D62DA,K4E-61A, SA,SM,TM,62DA
	MM501499	PLATE, angleich set mark : 8	•	C	C	CC			For 61DM,EM,ES,KL, RA,SC,ST,TC,WH, D61A,D62DA,K4E-61A, SA,SM,TM,62DA
	MM501500	PLATE, angleich set mark : 9	•	C	C	C			For 61DM,EM,ES,KL, RA,SC,ST,TC,WH, D61A,D62DA,K4E-61A, SA,SM,TM,62DA
	MM501501	PLATE, angleich set mark : 10	•	C	C	C			For 61DM,EM,ES,KL, RA,SC,ST,TC,WH, D61A,D62DA,K4E-61A, SA,SM,TM,62DA
	MM501747	PLATE, angleich set mark : 11	•	C	C	C			For 61DM,EM,ES,KL, ST,WH,D61A,D62DA, K4E-61SM,TM
	MM501748	PLATE, angleich set mark : 12	•	C	C	C			For 61DM,EM,ES,KL, ST,WH,D61A,D62DA, K4E-61SM,TM
28	MM501256	SPRING, angleich set	1	1	•	•		A6	For 61A,FT,KL,MS, PA,SA,ST,62DA,SDG
	MM501382	SPRING, angleich set	1	1	1	1			For 61DM,EM,ES,RA, SC,SM,TC,TM,WH, D61A,D62DA,K4D-61SS, K4E-61A,SA,62DA
29	MM500507	E-RING	1	1	1	1		A6	Exc.61AG,DA,JC,WM, 62WM,K4C-61SS



2-02 FUEL INJECTION PUMP

FIG. No. 2-02

2 FUEL SYSTEM

Key No.	Part No.	Part Name	Model & No. Req'd				R / P	E / E	Remarks
			K4C	K4D	K4E	K4F			
30	MM501242	PLATE, name	1	.	.	.		For 61SS	
	MM501242	PLATE, name	①	.	.	.		For 61A	
	MM501464	PLATE, name	1	.	.	.	X A76	For 61A,SA	
	MM501174	PLATE, name	1	.	.	.		For 61JC	
	MM501310	PLATE, name	.	①	.	.	A96	For 61A	
	MM501666	PLATE, name	.	1	.	.		For 61AG	
	MM501310	PLATE, name	.	①	.	.		For 61WM	
	MM501461	PLATE, name	.	①	.	.	X A7	For 61WM	
	MM514101	PLATE, name	.	1	.	.	X A73	For 61WM	
	MM501488	PLATE, name	.	1	.	.		For 61A,FT,PA,SA, 62DA,SDG	
	MM501488	PLATE, name	.	①	.	.	A97	For 61DA,SM,SS	
	MM514022	PLATE, name	.	1	.	.	X A70	For 61SM,SS,TM	
	MM514104	PLATE, name	.	1	.	.	X A72	For 61DA,SDG	
	MM514100	PLATE, name	.	1	.	.		For 61KL	
	MM514102	PLATE, name	.	1	.	.		For 62WM	
	MM514123	PLATE, name	.	1	.	.		For 61ST	
	MM501174	PLATE, name	①	.	.	.		For 61WH	
	MM501316	PLATE, name	1	.	.	.	X A6	For 61WH	
	MM501519	PLATE, name	.	.	1	.		For 61A,RA,SA,SC,TC, 62DA	
	MM501519	PLATE, name	.	.	①	.		For 61DM,WH,SM	
	MM501960	PLATE, name	.	.	1	.	X A50	For 61DM,SM	
	MM501891	PLATE, name	.	.	1	.	X A49	For 61WH	
	MM514023	PLATE, name	.	.	1	.		For 61EM,TM	

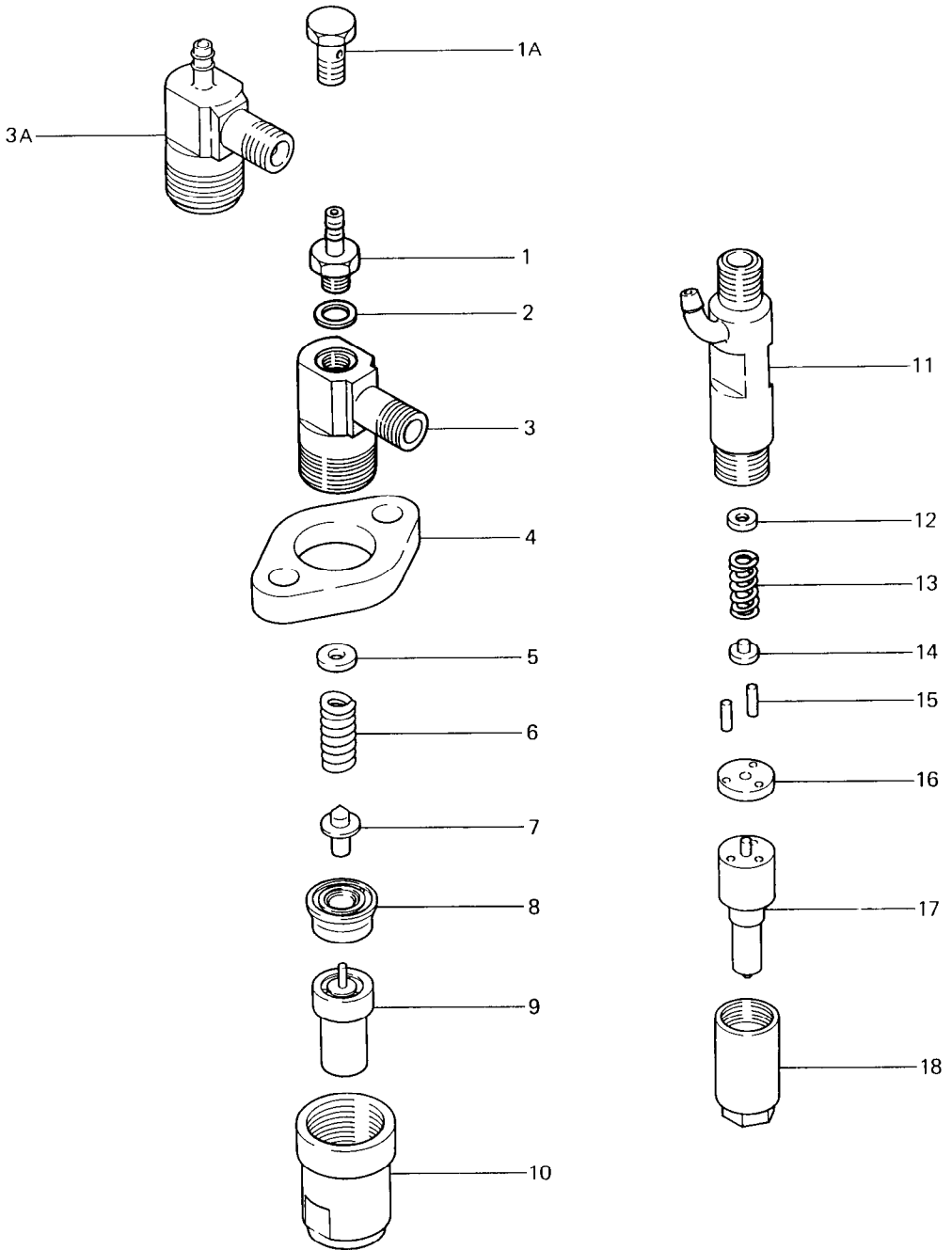
2-02 FUEL INJECTION PUMP

FIG. No. 2-02

2 FUEL SYSTEM

Key No.	Part No.	Part Name	Model & No. Req'd				R / P	E / E	Remarks
			K4C	K4D	K4E	K4F			
	MM501599	PLATE, name	•	•	1	•		For 61ES	
	MM514099	PLATE, name	•	•	1	•		For 61DA	
	MM514111	PLATE, name	•	•	1	•		For 61WM	
	MM514112	PLATE, name	•	•	1	•		For 62WM	
	MM514044	PLATE, name	•	•	1	•		For D61A,D62DA	
31	MM500429	RIVET	2	2	2	2			

FIG. No. 2-03



## 2-03 NOZZLE &amp; NOZZLE HOLDER

2 FUEL SYSTEM

FIG. No. 2-03

Key No.	Part No.	Part Name	Model & No. Req'd				R / P	E / E	Remarks
			K4C	K4D	K4E	K4F			
1~10	MM402971	NOZZLE & HOLDER ASSY	④	•	•	•		A14	
1A~10	MM408880	NOZZLE & HOLDER ASSY	4	4	4	4	#	A13	For 61DM,SM,SS,TM, WM,62WM
3A~10	MM401110	NOZZLE & NOZZLE ASSY	4	4	4	•	O	A15	Exc. 61DM,SM,SS,TM, WM,62WM
1	MM500909	NIPPLE	④	•	•	•		A14	
1A	MM501100	SCREW, hollow	4	4	4	4	X	A13	For 61DM,SM,SS,TM, WM,62WM
2	MM500441	WASHER	④	•	•	•		A14	
3	MM500910	BODY	④	•	•	•		A14	
	MM501245	BODY	4	4	4	4	X	A13	For 61DM,SM,SS,TM, WM,62WM
3A	MM501276	BODY	4	4	4	•	Y	A15	Exc. 61DM,SM,SS,TM, WM,62WM
4	MM500907	FLANGE	④	④	•	•			
	MM501240	FLANGE	4	4	4	4	O		Exc. D61A, D62DA
5	MM500785	WASHER 1.3t	C	C	C	C			Exc. D61A, D62DA
	MM500786	WASHER 1.35t	C	C	C	C			Exc. D61A, D62DA
	MM500787	WASHER 1.4t	C	C	C	C			Exc. D61A, D62DA
	MM500795	WASHER 0.9t	C	C	C	C			Exc. D61A, D62DA
	MM500796	WASHER 1.0t	C	C	C	C			Exc. D61A, D62DA
	MM500797	WASHER 1.1t	C	C	C	C			Exc. D61A, D62DA
	MM500798	WASHER 1.2t	C	C	C	C			Exc. D61A, D62DA
	MM500799	WASHER 0.1t	C	C	C	C			Exc. D61A, D62DA
6	MM500136	SPRING, pressure	4	4	4	4			Exc. D61A, D62DA
7	MM500135	PIN, pressure	4	4	4	4			Exc. D61A, D62DA
8	MM500137	PIECE, distance	4	4	4	4			Exc. D61A, D62DA
9	MM300152	NOZZLE ASSY	4	4	4	4			Exc. D61A, D62DA

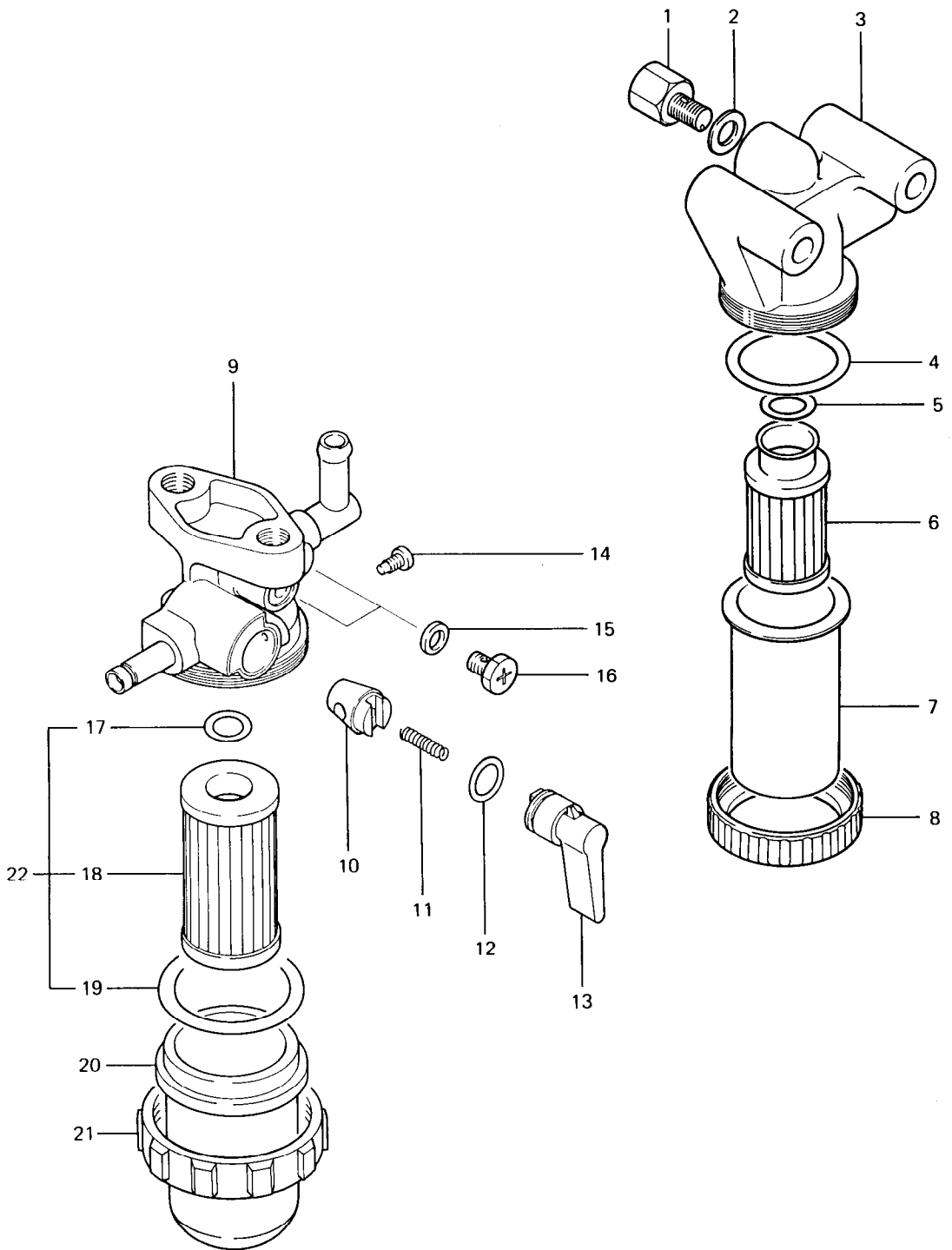
2-03 NOZZLE & NOZZLE HOLDER

FIG. No. 2-03

2 FUEL SYSTEM

Key No.	Part No.	Part Name	Model & No.Req'd				R / P	E / E	Remarks
			K4C	K4D	K4E	K4F			
10	MM500908	NUT, retaining	4	4	4	4			Exc.D61A,D62DA
11~18	MM432624	NOZZLE & HOLDER ASSY	.	.	.	4			For D61A,D62DA
11	MM501861	BODY SUB ASSY	.	.	.	4			
12	MM501773	WASHER (1.2t)	.	.	.	C			
	MM501774	WASHER (1.25t)	.	.	.	C			
	MM501775	WASHER (1.3t)	.	.	.	C			
	MM501776	WASHER (1.35t)	.	.	.	C			
	MM501777	WASHER (1.4t)	.	.	.	C			
	MM501778	WASHER (1.45t)	.	.	.	C			
	MM501779	WASHER (1.5t)	.	.	.	C			
	MM501780	WASHER (1.55t)	.	.	.	C			
	MM501781	WASHER (1.6t)	.	.	.	C			
	MM501782	WASHER (1.65t)	.	.	.	C			
	MM501783	WASHER (1.7t)	.	.	.	C			
	MM501784	WASHER (1.75t)	.	.	.	C			
	MM501785	WASHER (1.8t)	.	.	.	C			
13	MM501787	SPRING, pressure	.	.	.	4			
14	MM501786	PIN, pressure	.	.	.	4			
15	MM501790	PIN, straight	.	.	.	8			
16	MM501789	PACKING, tip	.	.	.	4			
17	MM431828	NOZZLE ASSY	.	.	.	4			
18	MM501788	NUT, nozzle retaining	.	.	.	4			

FIG. No. 2-04



## 2-04 FUEL FILTER

## 2 FUEL SYSTEM

FIG. No. 2-04

Key No.	Part No.	Part Name	Model & No. Req'd				R / P	E / E	Remarks
			K4C	K4D	K4E	K4F			
1~8	K9442113	FILTER ASSY, fuel	•	1	•	1			For 61WM,62WM
1	K9443500	SCREW, air vent	•	1	•	1			
2	MK66108000	PACKING	•	1	•	1			
3	K9443420	BODY, filter	•	1	•	1			
4	MM510020	O-RING	•	1	•	1			
5	K7643470	O-RING	•	1	•	1			
6	K7643461	ELEMENT	•	1	•	1			
7	K7643431	CUP ASSY, filter	•	1	•	1			
8	K9443440	RING, retainer	•	1	•	1			
9~21	MM408870	FILTER ASSY, fuel	1	•	1	•			For 61WH
	MM408898	FILTER ASSY, fuel	•	1	•	•			For 61PA
9	MM406882	BODY SUB ASSY, fuel filter	1	•	1	•			For 61WH
	MM408894	BODY SUB ASSY, fuel filter	•	1	•	•			For 61PA
10	*	VALVE	1	1	1	•			For 61PA, WH Non sale
11	MM404873	SPRING, valve	1	1	1	•			For 61PA, WH
12	MM404874	O-RING, valve	1	1	1	•			For 61PA, WH
13	MM404871	LEVER	1	1	1	•			For 61PA, WH
14	MM404875	SCREW	1	1	1	•			For 61PA, WH
15	MM404884	PACKING	2	2	2	•			For 61PA, WH
16	MM404880	SCREW, air vent	2	2	2	•			For 61PA, WH
17	MM404881	O-RING, element	1	1	1	•			For 61PA, WH
18	MM404879	ELEMENT, 30micron	1	1	1	•			For 61PA, WH
19	MM404878	O-RING, filter cup	1	1	1	•			For 61PA, WH

2-04 FUEL FILTER

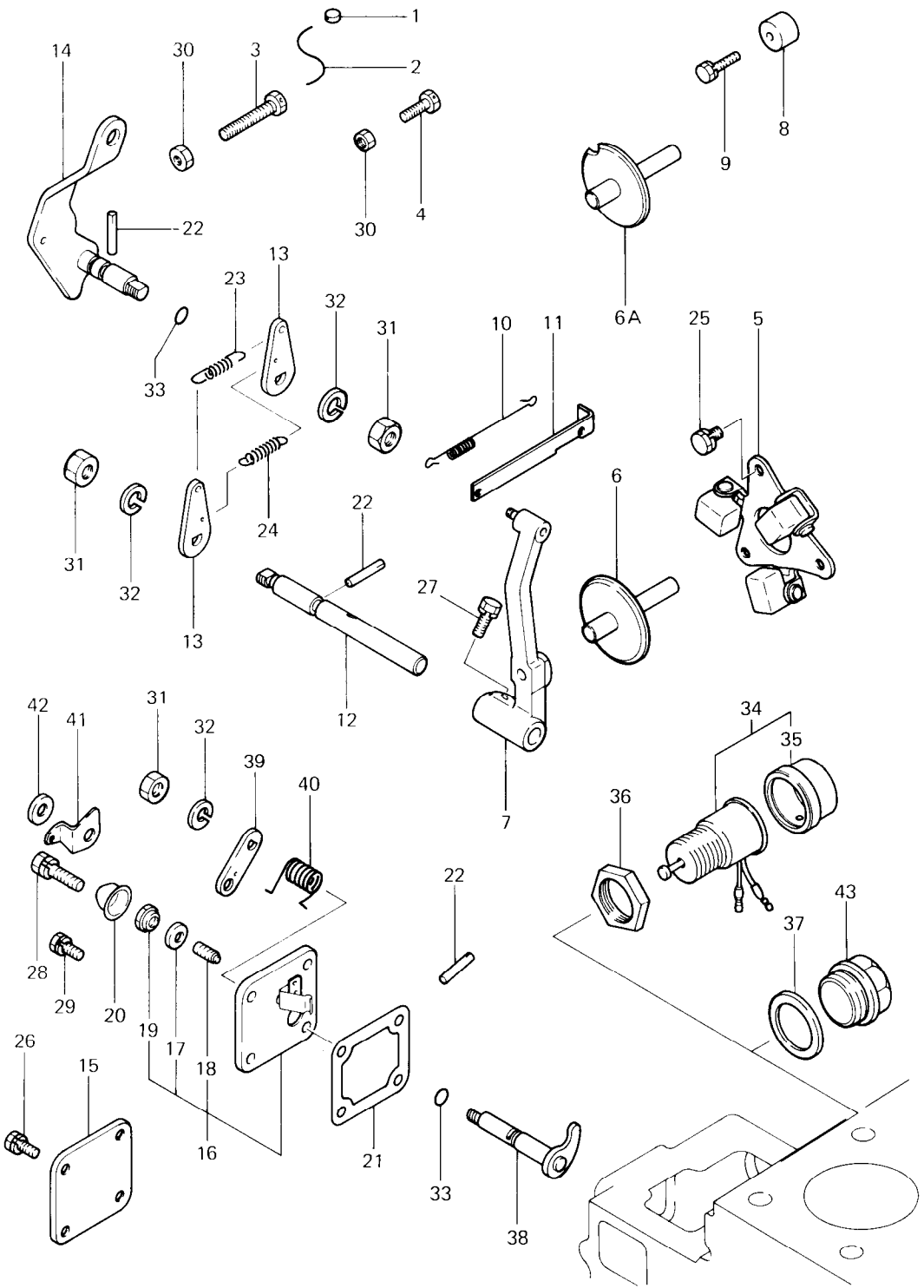
FIG. No. 2-04

2 FUEL SYSTEM

Key No.	Part No.	Part Name	Model & No.Req'd				R / P	E / E	Remarks
			K4C	K4D	K4E	K4F			
20	MM404876	CUP, filter	1	•	1	•		For 61WH	
	MM400889	CUP, filter	•	1	•	•		For 61PA	
21	MM404877	NUT, ring	1	1	1	•		For 61PA, WH	
22	MM409892	SERVICE KIT, fuel filter	S	•	S	•		Inc. Key No.17~19 For 61WH	



FIG. No. 3-01



3-01 GOVERNOR PARTS

3 GOVERNOR SYSTEM

FIG. No. 3-01

Key No.	Part No.	Part Name	Model & No. Req'd				R P	E E	Remarks
			K4C	K4D	K4E	K4F			
1	MK99200001	METAL, sealing	1	1	1	1			
2	MK99300140	WIRE	1	1	1	1			
3	MM401080	BOLT, high speed set	1	1	1	1			
4	MM401082	BOLT, low idel set	1	1	1	1	A83	Exc.61AG,JC,PA,WH, K4C-61A,SS, K4D-61A	
5	MM407000	WEIGHT ASSY, governor	①	①	.	.			
	MM407006	WEIGHT ASSY, governor	1	1	1	1	O	Exc.61DM,62SDG, K4E-61SM	
	MM430637	WEIGHT ASSY, governor	.	1	1	.		For 61DM,62SDG, K4E-61SM	
6	MM430927	SHAFT ASSY, sliding	.	①	①	.		For 61DA	
	MM407010	SHAFT ASSY, sliding	1	1	1	1	X A72	Exc.61AG,DM,SA,SDG,WM, 62SDG,WM,K4E-61SM	
	MM407010	SHAFT ASSY, sliding	.	①	.	.		For 61WM	
	MM430927	SHAFT ASSY, sliding	1	1	1	1	X A73	For 61AG,SA,SDG, WM,62WM	
6A	MM430740	SHAFT ASSY, sliding	.	1	1	.		For 61DM,62SDG, K4E-61SM	
7	MM407028	LEVER ASSY, sliding	1	1	1	1			
8	MM403988	STOPPER	.	1	1	.		For 61DM,62SDG, K4E-61SM	
9	MF241229	BOLT, with washer (7T : 6X25)	.	1	1	.		For 61DM,62SDG, K4E-61SM	
10	MM409152	SPRING, tie rod	1	1	.	.		For 61AG,JC K4C-61SS	
	MM409152	SPRING, tie rod	①	①	.	.		For 61A,WH,WM	
	MM409182	SPRING, tie rod	1	1	.	.	X A76	For 61A,WM	
	MM409182	SPRING, tie rod	①	①	①	.		Exc.61AG,DM,SM,SS, TM,K4C,D-61A	
	MM434166	SPRING, tie rod	①	①	①	.	O A54	Exc.61AG,DM,EM,JC, SM,SS,TM,K4C,D-61A	
	MM409182	SPRING, tie rod	1	1	1	1	O A84	Exc.61AG,JC,D61A, D62DA,K4C-61A, SS,K4D-61A,WM For D61A,D62DA	
	MM435575	SPRING, tie rod	.	.	.	1			
11	MM409157	ROD, tie	1	1	.	.		For 61AG,JC K4C-61SS	

### 3-01 GOVERNOR PARTS

FIG. No. 3-01

3 GOVERNOR SYSTEM

Key No.	Part No.	Part Name	Model & No. Req'd				R / P	E / E	Remarks
			K4C	K4D	K4E	K4F			
	MM409157	ROD, tie	①	①	•	•			For 61WH,61WM
	MM409181	ROD, tie	1	1	1	1	X	A6	Exc.61AG,JC,WM, K4C-61A,SS,K4D-61A
	MM409157	ROD, tie	①	①					For 61A
	MM430441	ROD, tie	•	①	•	•	X	A30	For 61WM
	MM409181	ROD, tie	1	1	•	1	X	A73	For 61A,WM
12	MM407030	SHAFT, governor	•	①	•	•			
	MM407031	SHAFT, governor	1	1	1	1	O	A16	
13	MM407035	LEVER, governor spring	2	2	2	2			Exc.61DM,EM,SM,TM, K4D-61SS
	MM407035	LEVER, governor spring	•	②	②	•			For 61EM,SS,K4D-61SM
	MM407035	LEVER, governor spring	•	•	②	•			For 61DM
	MM433600	LEVER, governor spring	•	2	2	•	X	A51	For 61DM,EM,SM,TM, K4D-61SS
14	MM407053	LEVER ASSY, speed control	1	•	1	•			For 61JC,SS,WH
	MM409142	LEVER ASSY, speed control	1	1	1	1			Exc.61DA,DM,FT,JC, SDG,SS,ST,WH, 62DA,SDG
	MM409237	LEVER ASSY, speed control	•	1	1	•			For 61DA,DM,FT,RA, SDG,SS,ST,62DA,SDG
15	MM409150	COVER, tie rod	①	①	•	•			For 61SS,61WM
	MM409150	COVER, tie rod	1	•	•	•	O		For 61JC,SS
16	MM409166	COVER ASSY, tie rod	•	1	•	•			For 61AG
	MM409166	COVER ASSY, tie rod	①	①	•	•			For 61A,WH
	MM409213	COVER ASSY, tie rod	①	•	•	•	X	A6	For 61WH
	MM409213	COVER ASSY, tie rod	1	1	1	•	X	A76	For 61DA,DM,PA,SDG, 62SDG,K4C,D-61A
	MM409640	COVER ASSY, tie rod	1	1	1	1	O		Exc.61AG,DM,JC,PA, SDG,62SDG,K4C-61A, SS,K4D-61A
17	MK66106000	WASHER, seal	①	①	•	•			For 61A,61WH
	MF660031	GASKET (6)	1	1	1	1	O	A31	Exc.61JC,K4C-61SS

3-01 GOVERNOR PARTS

3 GOVERNOR SYSTEM

FIG. No. 3-01

Key No.	Part No.	Part Name	Model & No.Req'd				R / P	E / E	Remarks
			K4C	K4D	K4E	K4F			
18	MM409167	SCREW, adjusting	1	1	1	1		Exc.61JC,K4C-61SS	
19	MM409168	NUT, special	1	1	1	1		Exc.61JC,K4C-61SS	
20	MM409169	CAP, sealing	1	1	1	1		Exc.61JC,K4C-61SS	
21	MM409151	GASKET, cover	1	1	1	1			
22	K8712630	PIN, grooved	2	2	2	2		For 61AG,FT,JC,PA, SS,ST,62DA,D62DA, K4C,D-61A	
	K8712630	PIN, grooved	3	3	3	3		For 61EM,ES,KL,MS, RA,SA,SC,SM,TC, TM,WH,WM,62WM, D61A,K4E-61A	
	K8712630	PIN, grooved	•	1	1	•		For 61DA,DM,SDG, 62SDG	
	MM409239	PIN, grooved	•	1	1	1		For 61DA,DM,FT,SDG, SS,ST,62DA,SDG, D62DA	
23	MM409148	SPRING, governor	1	①	•	•		For 61JC,WM, K4C-61SS	
	MM405011	SPRING, governor	•	1	1	1	X A73	For 61AG,DA,WM	
	MM405006	SPRING, governor	•	•	1	•		For 61SDG	
	K9652011	SPRING, governor	①	•	•	•		For 61WH	
	MM409186	SPRING, governor	1	1	1	•	X A6	For 61ES,MS,TC,WH	
	MM409148	SPRING, governor	①	①	•	•		For 61A	
	MM409692	SPRING, governor	1	1	1	1	X A76	For 61A,FT,KL,PA, RA,SA,SC,ST,62DA, SDG,WM,D61A,D62DA	
	MM409692	SPRING, governor	•	①	①	•		For 61DM,EM,SS, K4D-61SM	
	MM433598	SPRING, governor (A)	•	1	1	•	X A51	For 61DM,EM,SM,SS, TM	
24	MM434065	SPRING, governor (B)	•	1	1	•	A51	For 61DM,EM,SM,SS, TM	
25	MF241222	BOLT, with washer (7T : 6×10)	3	3	3	3		Exc.61DM,62SDG, K4E-61SM	
	MF241222	BOLT, with washer (7T : 6×10)	•	2	2	•		For 61DM,62SDG, K4E-61SM	
26	MF241224	BOLT, with washer (7T : 6×14)	4	4	4	•	A72	For 61AG,DA,DM,JC, PA,SDG,62SDG, K4C-61SS,K4C,D-61A	
27	MF244823	BOLT, with washer (7T : 6×14)	1	1	1	1			
28	MF241226	BOLT, with washer (7T : 6×18)	3	3	3	3		Exc.61AG,DA,DM,JC, PA,SDG,62SDG, K4C-61SS,K4C,D-61A	

### 3-01 GOVERNOR PARTS

FIG. No. 3-01

3 GOVERNOR SYSTEM

Key No.	Part No.	Part Name	Model & No. Req'd				R / P	E / E	Remarks
			K4C	K4D	K4E	K4F			
	MF241226	BOLT, with washer (7T : 6X18)	•	③	•	•	A72	For 61DA	
29	MF241231	BOLT, with washer (7T : 6X30)	1	1	1	1		Exc.61AG,DA,DM,JC, PA,SDG,62SDG, K4C-61SS,K4C,D-61A	
	MF241231	BOLT, with washer (7T : 6X30)	•	①	•	•	A72	For 61DA	
30	MF430004	NUT, jam (4T : 6)	1	1	1	1		For 61AG,JC,PA,WH, K4C,D-61A,K4C-61SS	
	MF430004	NUT, jam (4T : 6)	2	2	2	2	A83	Exc.61AG,JC,PA,WH, K4C,D-61A,K4C-61SS	
31	MF430725	NUT, jam (4T : 8)	2	2	2	•		For 61AG,DA,DM,JC, PA,SDG,62SDG, K4C-61SS,K4C,D-61A, DA	
	MF430725	NUT, jam (4T : 8)	3	3	3	3		Exc.61AG,JC, PA,SDG,62SDG, K4C-61SS,K4C,D-61A	
	MF430725	NUT, jam (4T : 8)	•	③	•	•	A72	For 61DA	
32	MF450405	WASHER, spring (8)	2	2	2	•		For 61AG,DA,DM,JC, PA,SDG,62SDG, K4C-61SS,K4C,D-61A	
	MF450405	WASHER, spring (8)	3	3	3	3		Exc.61AG,DA,DM,JC, PA,SDG,62SDG, K4C-61SS,K4C,D-61A	
	MF450405	WASHER, spring (8)	•	①	•	•	A72	For 61DA	
33	MF520002	O-RING (7)	1	1	1	•		For 61AG,DA,DM,JC, PA,SDG,62SDG, K4C-61SS,K4C,D-61A	
	MF520002	O-RING (7)	2	2	2	2		Exc.61AG,DA,DM,JC, PA,SDG,62SDG, K4C-61SS,K4C,D-61A	
	MF520002	O-RING (7)	•	①	•	•	A72	For 61DA	
34	MM409670	SOLENOID, tubular	1	1	1	•		For 61AG,DM,EM,ES, FT,KL,MS,SA,SC,SDG, SM,TC,62SDG, K4D-61SS	
35	MM409677	CAP, gum	•	①	①	•		For 61AG,DM,EM,ES,FT, KL,MS,SA,SC,SDG,SM, TC,62SDG,K4D-61SS	
	MM317093	CAP, gum	1	1	1	•	O A55	For 61AG,DM,EM,ES, FT,KL,MS,SA,SC,SDG, SM,TC,62SDG, K4D-61SS	
36	MM409671	NUT (30)	1	1	1	•		For 61AG,DM,EM,ES, FT,KL,MS,SA,SC,SDG, SM,TC,62SDG, K4D-61SS	
37	MF660042	GASKET (30)	①	①	①	•	A85	For 61A,DA,PA,TM,WH, 62DA,K4C-61SS	
	MF660042	GASKET (30)	①	①	①	•	A56	Exc.61A,DA,PA,TM,WH, WM,62DA,K4C-61SS	
38	MM413360	LEVER ASSY, stop	1	1	1	1		Exc.61AG,DM,JC,PA, SDG,62SDG,K4C-61SS, K4C,D-61A,K4E-61DA	
	MM413360	LEVER ASSY, stop	•	①	•	•	A72	For 61DA	
39	MM409686	LEVER, stop	1	1	1	1		Exc.61AG,DM,JC,PA, SDG,62SDG,K4C-61SS, K4C,D-61A,K4E-61DA	

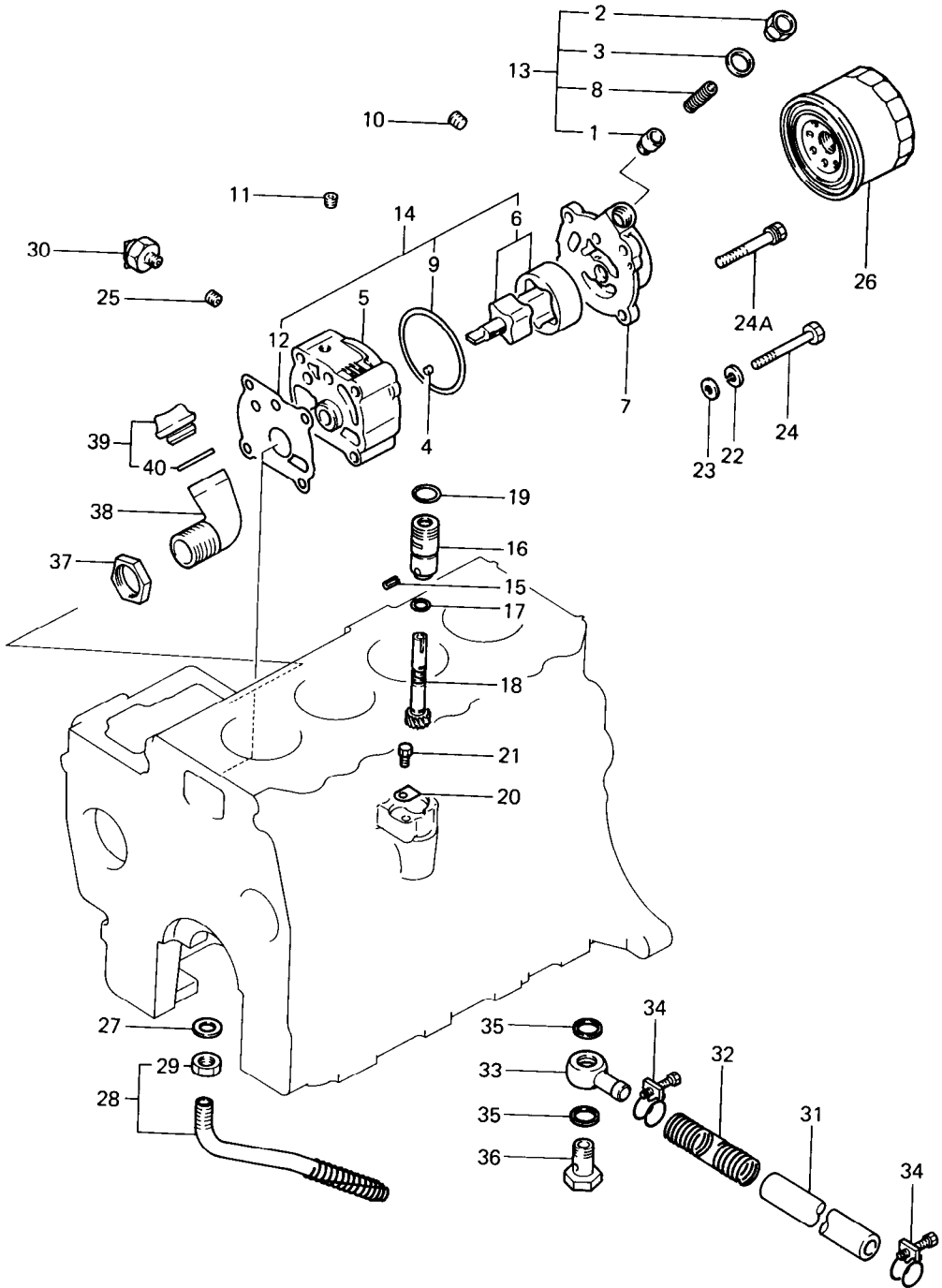
3-01 GOVERNOR PARTS

3 GOVERNOR SYSTEM

FIG. No. 3-01

Key No.	Part No.	Part Name	Model & No. Req'd				R / P	E / E	Remarks
			K4C	K4D	K4E	K4F			
40	MM409686	LEVER, stop	•	①	•	•		A72	For 61DA
	MM401099	SPRING, return	•	1	•	•			For 61AG
	MM413362	SPRING, return	1	1	1	1			Exc. 61AG, DM, JC, PA, SDG, 62SDG, K4C-61SS, K4C, D-61A, K4E-61DA
	MM413362	SPRING, return	•	①	•	•		A72	For 61DA
41	MM317055	HANGER, spring	•	1	•	•			For 61AG
42	MF450004	WASHER, plain	•	1	•	•			For 61AG
43	MM409672	PLUG	1	1	1	1		A95	For 61A, DA, JC, PA, ST, TM, WH, 62DA, D61A, D62DA, K4C-61SS

FIG. No. 4-01



## 4-01 LUBRICATING PARTS

FIG. No. 4-01

4 LUBRICATION SYSTEM

Key No.	Part No.	Part Name	Model & No. Req'd				R / P	E / E	Remarks
			K4C	K4D	K4E	K4F			
1~10	MM409193	OIL PUMP ASSY	•	①	•	•			For 61WM
	MM409197	OIL PUMP ASSY	①	①	•	•	O		
1~11	MM409370	OIL PUMP ASSY	①	①	•	•	O	A17	
	MM409370	OIL PUMP ASSY	1	•	•	•	O	A17	For 61JC
	MM409371	OIL PUMP ASSY	1	1	1	1	O		Exc. 61JC
1	MD030790	PLUNGER, relief	①	①	•	•			
	MD001402	PLUNGER, relief	1	1	1	1	O		
2	MM407136	PLUG	①	①	•	•			
	MD001404	PLUG	1	1	1	1	O	A17	
3	MM407137	GASKET	①	①	•	•			
	MD000312	GASKET, oil drain plug (18)	1	1	1	1	O		
4	MD000268	PIN, dowel	②	②	•	•			
	MM409373	PIN, dowel	②	②	②	•	O		
	K7913410	PIN, dowel	2	2	2	2	O	A86	
5	MM409201	BODY, oil pump	①	①	•	•			
	MM409244	BODY, oil pump	1	1	1	1	#	A17	
6	MM407125	ROTOR ASSY, oil pump	1	1	1	1			
7	MM407143	COVER, oil pump	①	①	•	•			
	MM409372	COVER, oil pump	1	1	1	1	O	A17	
8	MM409204	SPRING, relief	1	1	1	1			
9	MM407145	O-RING	1	1	1	1			
10	MS661121	PLUG, taper (PT-1/4)	1	1	1	1			
11	MS661120	PLUG, taper (PT-1/8)	1	1	1	1		A17	



## 4-01 LUBRICATING PARTS

FIG. No. 4-01

4 LUBRICATION SYSTEM

Key No.	Part No.	Part Name	Model & No. Req'd				R / P	E / E	Remarks
			K4C	K4D	K4E	K4F			
12	MM407124	GASKET, oil pump body	1	1	1	1			
13	MM409893	SERVICE KIT, relief valve	S	S	S	S			Inc. Key No.1~3.8
14	MM409894	SERVICE KIT, rotor	S	S	S	S			Inc. Key No.6, 9, 12
15~19	MM407170	DRIVEN UNIT, speedometer	①	①	·	·			
	MM430598	DRIVEN UNIT, speedometer	1	1	1	1	○		Exc.61AG,DA,DM,ES, FT,SC,SDG,SM,TC, WM,62SDG,WM For 61WM
	MM430598	DRIVEN UNIT, speedometer	·	①	·	·		A77	For 61WM
	MM430598	DRIVEN UNIT, speedometer	·	·	①	·		A36	For 61DM
	MM431364	DRIVEN UNIT, speedometer	·	1	·	·			For 61FT
15	MD701786	PIN, spring	①	①	·	·			
	MF472536	PIN, spring (3×16)	①	①	·	·	○		
	MF472535	PIN, spring (3×14)	1	1	1	1	○		Exc.61AG,DA,DM,ES, SC,SDG,SM,TC, WM,62SDG,WM
16	MD701787	SLEEVE, speedometer driven gear	①	①	·	·			
	MM430419	SLEEVE, speedometer driven gear	1	1	1	1	○	A32	Exc.61AG,DA,DM,ES, SC,SDG,SM,TC, WM,62SDG,WM Exc.61AG,DA,DM,ES, FT,SC,SDG,SM,TC, WM,62SDG,WM Exc.61AG,DA,DM,ES, FT,SC,SDG,SM,TC, WM,62SDG,WM For 61TF
17	MD701788	O-RING B	1	1	1	1			
18	MM407171	GEAR, speedometer driven	1	1	1	1			
	MM431365	GEAR, speedometer driven	·	1	·	·			
19	MF520012	O-RING (18)	1	1	1	1			Exc.61AG,DA,DM,ES, SC,SDG,SM,TC, WM,62SDG,WM Exc.61AG,DA,DM,ES, SC,SDG,SM,TC, WM,62SDG,WM Exc.61AG,DA,DM,ES, SC,SDG,SM,TC, WM,62SDG,WM
20	MD701789	PLATE, locking	1	1	1	1			
21	MF241224	BOLT, with washer (7T : 6×14)	1	1	1	1			
22	MF450405	WASHER, spring (8)	④	④	④	·			
23	MS450035	WASHER, plain (8)	④	④	④	·			
24	MF101268	BOLT (7T : 8×65)	④	④	④	·			
24A	MF244864	BOLT, with washer (7T : 8×65)	4	4	4	4	#	A87	

4-01 LUBRICATING PARTS

FIG. No. 4-01

4 LUBRICATION SYSTEM

Key No.	Part No.	Part Name	Model & No. Req'd				R / P	E / E	Remarks
			K4C	K4D	K4E	K4F			
25	MS661120	PLUG, taper (PT 1/8)	•	1	•	1			For 61WM,62WM
26	K9665400	FILTER ASSY, oil	①	①	•	•			
	MM409365	FILTER ASSY, oil	①	①	①	•	○		For 61DA,DM, MS,PA, SA,TM,62DA,K4E-61SM
	MD031805	FILTER ASSY, oil	1	1	1	1	○	A57	Exc.61AG,EM,JC,SS, WH,K4D-61SM,K4F-61WM, 62WM
	MM409365	FILTER ASSY, oil	①	①	①	•			For 61A,AG,EM,JC,SS, WH,WM,K4D-61SM
	MD017440	FILTER ASSY, oil	1	1	1	•	○	A58	For 61AG,EM,JC,SS, WH,K4D-61SM
	MD013661	FILTER ASSY, oil	•	•	•	1			For 61WM,62WM
27	MK66114000	WASHER, seal	①	①	•	•			
	MF660036	GASKET (16)	1	1	1	1	X	A33	
28	MM409216	SCREEN ASSY, oil	①	①	•	•			
	MM430176	SCREEN ASSY, oil	1	1	1	1	X	A33	For 61JC,SM,SS,WM, 62WM,K4C-61A,WH, K4D-61A,TM
	MM430176	SCREEN ASSY, oil	①	①	①	•			For 61SA
	MM413264	SCREEN ASSY, oil	1	1	1	1	X	A38	For 61AG,DA,EM,ES,KL,MS, PA,RA,SA,SC,SDC,TC, 62DA,SDG,D61A,D62DA, K4E-61A,TM,WH
	MM413266	SCREEN ASSY, oil	•	•	1	•			For 61DM
	MM430174	SCREEN ASSY, oil	•	1	•	•			For 61FT,ST
29	MF430728	NUT, jam (4T : 14)	①	①	•	•			
	MF430729	NUT, jam (4T : 16)	1	1	1	1	X	A33	
30	MD001482	SWITCH ASSY, oil pressure (P25)	①	①	①	•			Exc.61WM
	MM130066	SWITCH ASSY, oil pressure (P05)	1	1	1	1	Y	A59	Exc.61ES,WM,62WM
	MM431777	SWITCH ASSY, oil pressure (P05)	•	•	1	•			Exc.61ES
31~34	MM409210	TUBE ASSY, oil drain	•	•	1	•			For 61EM
31	MM405260	TUBE, oil drain	•	•	1	•			
32	MM401186	SPRING	•	•	1	•			

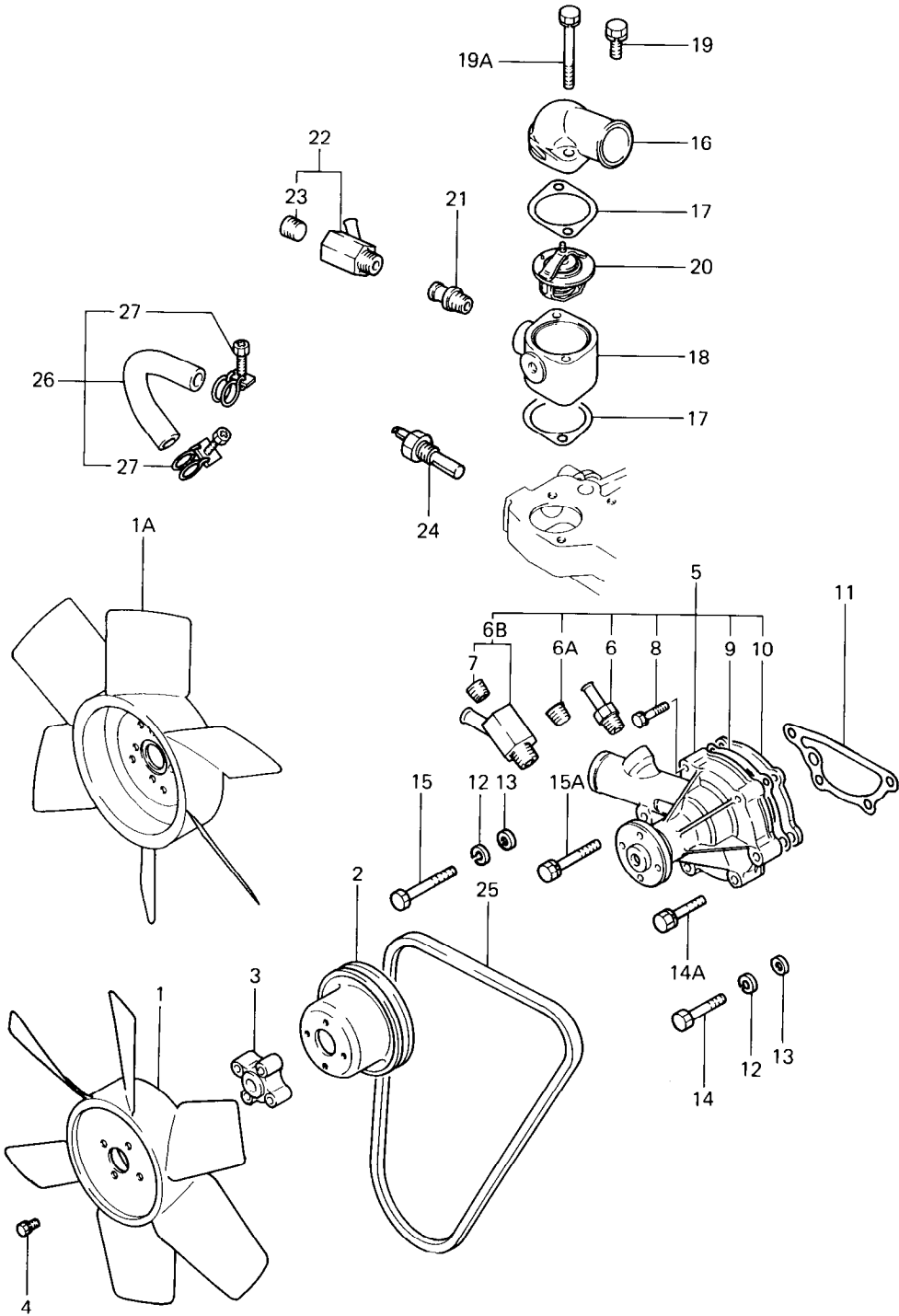
4-01 LUBRICATING PARTS

FIG. No. 4-01

4 LUBRICATION SYSTEM

Key No.	Part No.	Part Name	Model & No. Req'd				R / P	E / E	Remarks
			K4C	K4D	K4E	K4F			
33	MM404456	JOINT, eye	•	•	1	•			
34	MF661013	CLAMP, hose (25)	•	•	2	•			
35	MD000312	GASKET, oil drain plug (18)	•	•	2	•		For 61EM	
36	MF650106	BOLT, eye (18)	•	•	1	•		For 61EM	
37	MM409671	NUT	•	1	•	1	A74	For 61WM,62WM	
38	MM430623	OIL INLET	•	1	•	1	A74	For 61WM,62WM	
39	MM300540	CAP ASSY, oil filler	•	1	•	1	A74	For 61WM,62WM	
40	MF520402	O-RING (30)	•	1	•	1	A74	For 61WM,62WM	

FIG. No. 5-01



5-01 COOLING PARTS

5 COOLING SYSTEM

FIG. No. 5-01

Key No.	Part No.	Part Name	Model & No. Req'd				R / P	E / E	Remarks
			K4C	K4D	K4E	K4F			
1	MD003330	FAN, cooling (φ 325×6 : S)	①	①	①	•		For 61A,RA,SA	
	MM434136	FAN, cooling (φ 325×6 : S)	1	1	1	•	O A60	For 61A,FT,JC,ST, K4C,D-61SA	
	MM431545	FAN, cooling (φ 340×6 : p)	•	1	•	•		For 61SDG,62SDG	
1A	MM405430	FAN, cooling (φ 320×6 : p)	①	1	①	•		For 61AG,MS,PA,WH	
	MD009014	FAN, cooling (φ 340×5 : S)	1	1	1	1	X A61	For 61ES,KL,SC,WH, D61A,K4E-61SA	
	MM435279	FAN, cooling (φ 360×7 : S)	•	•	1	•		For 61TC	
2	K9674051	PULLEY, water pump	1	1	1	1		For 61AG,PA,SS,WH, 62SDG,D61A, K4D-61SM,K4C : all	
	K9674051	PULLEY, water pump	•	①	•	•	A98	For 61WM	
	MM405460	PULLEY, water pump	•	1	1	1		Exc. 61AG,PA,SS,WH,WM, 62SDG,WM,D62DA, K4D-61SM	
3	MM403484	SPACER, fan	•	•	①	•		For 61WH	
	MM434493	SPACER, fan	1	•	1	•	O A62	For 61ES,KL,SC,TC, K4E-61SA,WH	
4	MF241223	BOLT, with washer (7T : 6×12)	4	4	4	4		Exc. 61AG,ES,KL,MS,PA, SC,SDG,TC,WM,62SDG, WM,K4E-61SA,WH	
	MF241223	BOLT, with washer (7T : 6×12)	•	④	•	•	A98	For 61WM	
	MF241225	BOLT, with washer (7T : 6×16)	④	4	④	•		For 61AG,MS,PA,SDG, WH,62SDG	
	MF241223	BOLT, with washer (7T : 6×12)	•	•	④	•	X A61	For 61WH	
	MF241229	BOLT, with washer (7T : 6×25)	•	4	4	•	X A63	For ES,KL,SC,TC, K4E-61SA,WH	
5	MM409301	PUMP ASSY, water	①	•	•	•		For 61SS	
	MM409303	PUMP ASSY, water	•	①	•	•		For 61WM	
	MM409301	PUMP ASSY, water	1	1	1	1	X A74	For 61AG,JC,SM,WM,62WM	
	MM433424	PUMP ASSY, water	•	1	1	•		For 61ES,KL	
	MM409303	PUMP ASSY, water	1	1	1	1	X A18	Exc. 61AG,ES,FT,KL,JC, SM,ST,WM,62WM	
	MM407405	PUMP ASSY, water	•	1	•	•		For 61FT,ST	
6	MM409304	NIPPLE, hose	1	1	1	1		Exc. 61AG,ES,FT,JC, SM,WM,62WM	

## 5-01 COOLING PARTS

FIG. No. 5-01

5 COOLING SYSTEM

Key No.	Part No.	Part Name	Model & No. Req'd				R / P	E / E	Remarks
			K4C	K4D	K4E	K4F			
6A	MS661122	PLUG, taper (PT-3/8)	1	1	1	1		For 61AG,JC,SM,WM,62WM	
6B	MM433222	JOINT ASSY, water	•	1	1	•		For 61ES,KL	
7	MS661122	NIPPLE, taper (PT-3/8)	•	1	1	•		For 61ES,KL	
8	MF240031	BOLT, with washer (4T : 6×30)	2	2	2	2			
9	MM409326	GASKET, water pump	1	1	1	1			
10	MM409327	PLATE, water pump	1	1	1	1			
11	MM407422	GASKET, water pump	1	1	1	1			
12	MF450405	WASHER, spring (8)	④	④	④	•			
13	MS450035	WASHER, plain (8)	④	④	④	•			
14	MF101264	BOLT (7T : 8×45)	③	③	③	•			
14A	MF244860	BOLT, with washer (7T : 8×45)	3	3	3	3	#	A87	
15	MF101267	BOLT (7T : 8×60)	①	①	①	•			
15A	MF244863	BOLT, with washer (7T : 8×60)	1	1	1	1	#	A87	
16	MD008771	FITTING, water outlet	1	1	1	1		Exc.61DM,SS,WM,62WM	
	MD008771	FITTING, water outlet	①	•	•	•	A19	For 61SS,WM	
17	MD000551	GASKET, outlet fitting	2	2	2	2		Exc.61AG,JC,SM,SS, WM,62WM	
	MD000551	GASKET, outlet fitting	•	②	•	•	A99	For 61WM	
	MD000551	GASKET, outlet fitting	1	1	•	•		For 61AG,JC,SM,SS	
18	MM407432	FITTING, thermostat	1	1	1	1		Exc.61AG,JC,DM,SM, SS,WM,62WM	
	MM407432	FITTING, thermostat	•	①	•	•	A99	For 61WM	
19	MF241256	BOLT, with washer (7T : 8×28)	②	•	•	•	A19	For 61SS	
	MF241256	BOLT, with washer (7T : 8×28)	2	2	2	•		For 61AG,JC,SM	
19A	MF241267	BOLT, with washer (7T : 8×70)	2	2	2	2		Exc.61AG,DM,JC,SM, SS,WM,62WM	

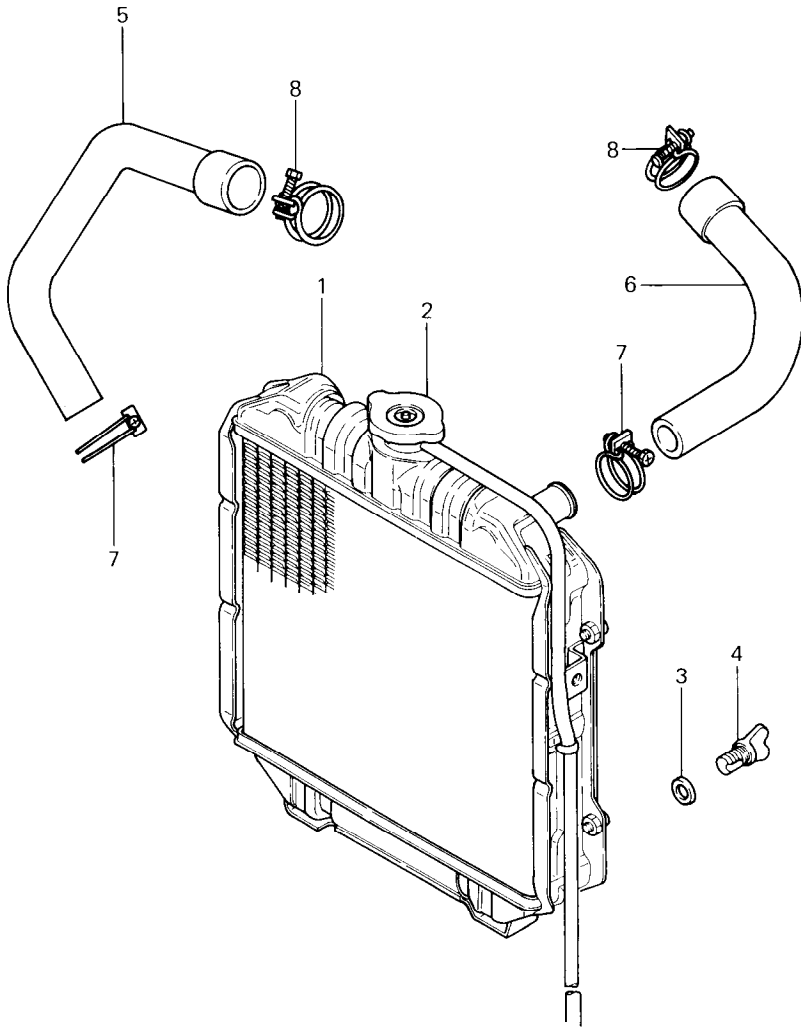
## 5-01 COOLING PARTS

FIG. No. 5-01

5 COOLING SYSTEM

Key No.	Part No.	Part Name	Model & No. Req'd				R / P	E / E	Remarks
			K4C	K4D	K4E	K4F			
	MF241267	BOLT, with washer (7T : 8X70)	•	②	•	•		A99	For 61WM
20	MD001370	THERMOSTAT (82)	①	①	•	•		B1	For 61WH,WM
	MD003581	THERMOSTAT (71)	1	1	•	•		A20	For 61SS
	K6516441	THERMOSTAT (76.5)	1	1	1	1			Exc.61AG,JC,SM,SS, WM,62WM
21	MM409304	NIPPLE, hose	1	1	1	1		A20	Exc.61AG,ES,KL,DM,JC, SM,WM,62WM
	MM409304	NIPPLE, hose	•	①	•	•		B1	For 61WM
22	MM433222	JOINT ASSY, water	•	1	1	•			For 61ES,KL
23	MS661122	PLUG, taper (PT-3/8)	•	1	1	•			For 61ES,KL
24	MM409381	SWITCH, thermo (111)	1	1	1	1			Exc.61DM,SM,WM, 62WM,K4D-61SS
	MM409380	SWITCH, thermo (108)	•	1	1	•			For 61SM
	MM401471	SWITCH, thermo (103)	•	•	1	•			For 61DM
25	MM409305	BELT, fan (HM : L=950)	①	①	①				For 61PA,SM,WH, K4C-61A,SA,SS
	MD087992	BELT, fan (HM : L=940)	1	1	1	•	O	A90	For 61PA,SM,WH, K4C-61A,SA,SS
	MM409307	BELT, fan (HM-C : L=980)	•	1	1				For 61DM,EM,SS,WM
	MD007528	BELT, fan (HM : L=932)	1	1	1		O	A91	Exc.61DA,DM,EM,FT,PA, SDG,SS,ST,TC,TM,WH, WM,62DA,WM,D62DA, K4C-61A,SA,K4E-61SM For 61DA,62DA
	MD007528	BELT, fan (HM : L=932)	•	①	①	•			
	MM436057	BELT, fan (HM : L=925)	•	1	1	1	O	A92	For 61DA,FT,SDG,ST, TC,62DA,D62DA
26	MM409330	HOSE ASSY, water	1	1	1	1			Exc.61AG,DM,JC,SM, WM,62WM
	MM409330	HOSE ASSY, water	•	①	•	•		B1	For 61WM
27	MF661011	CLAMP, hose (22)	2	2	2	2		B1	For 61AG,DM,JC,SM, WM,62WM
	MF661011	CLAMP, hose (22)	•	②	•	•		B1	For 61WM

FIG. No. 5-02





## 5-02 RADIATOR

FIG. No. 5-02

5 COOLING SYSTEM

Key No.	Part No.	Part Name	Model & No. Req'd				R / P	E / E	Remarks
			K4C	K4D	K4E	K4F			
1~4	MM200230	RADIATOR ASSY	1	1	•	•			For 61AG, MS, PA, RA, SA
	MM200230	RADIATOR ASSY	①	•	①	•			For 61WH
	MM200232	RADIATOR ASSY	①	•	①	•	X	A61	For 61WH
	MM130208	RADIATOR ASSY	1	1	1	•	X	A93	For 61ES,SDG,WH, 62SDG,K4E-61SA
2	MM200116	CAP ASSY	1	1	•	•			For 61AG,FT,MS,PA,RA, SA
	MM200271	CAP ASSY	1	1	1	•			For 61ES,SDG,TC,WH, 62SDG,K4E-61SA
3	MA143756	PACKING	1	1	•	•			For 61AG,FT,MS,PA,RA, SA
	MM200273	PACKING	1	1	1	•			For 61ES,SDG,TC,WH, 62SDG,K4E-61SA
4	MM200127	DRAIN, cock	1	1	•	•			For 61AG,FT,MS,PA,RA, SA
	MM200272	DRAIN, cock	1	1	1	•			For 61ES,SDG,TC,WH, 62SDG,K4E-61SA
5	MM200236	HOSE, water (A)	1	1	1	•			For 61AG,FT,MS,PA,RA, SA
	MM200236	HOSE, water (A)	①	•	①	•		B2	For 61WH
	MM130202	HOSE, water (A)	1	1	1	•	X	A93	For 61ES,SDG,TC,WH, 62SDG,K4E-61SA
6	MM200235	HOSE, water (B)	1	1	1	•			For 61AG,MS,PA,RA,SA
	MM200235	HOSE, water (B)	①	•	①	•			For 61WH
	MM130203	HOSE, water (B)	1	1	1	•	X	A63	For 61ES,SDG,TC,WH, 62SDG,K4E-61SA
7	MF661019	CLAMP, hose (38)	2	2	•	•			For 61AG,MS,PA,RA,SA
	MF661019	CLAMP, hose (38)	②	•	②	•		B2	For 61WH
	MF661019	CLAMP, hose (38)	•	1	•	•			For 61FT
8	MF661022	CLAMP, hose (45)	2	2	3	•	X	A63	For 61AG,ES,MS,PA,RA, SA,SDG,TC,WH,62SDG
	MF661022	CLAMP, hose (45)	①	•	②	•		B2	For 61WH
	MF661022	CLAMP, hose (45)	•	1	•	•			For 61FT
	MF661024	CLAMP, hose (50)	1	1	1	•	X	A63	For 61ES,SDG,TC,WH, 62SDG,K4E-61SA

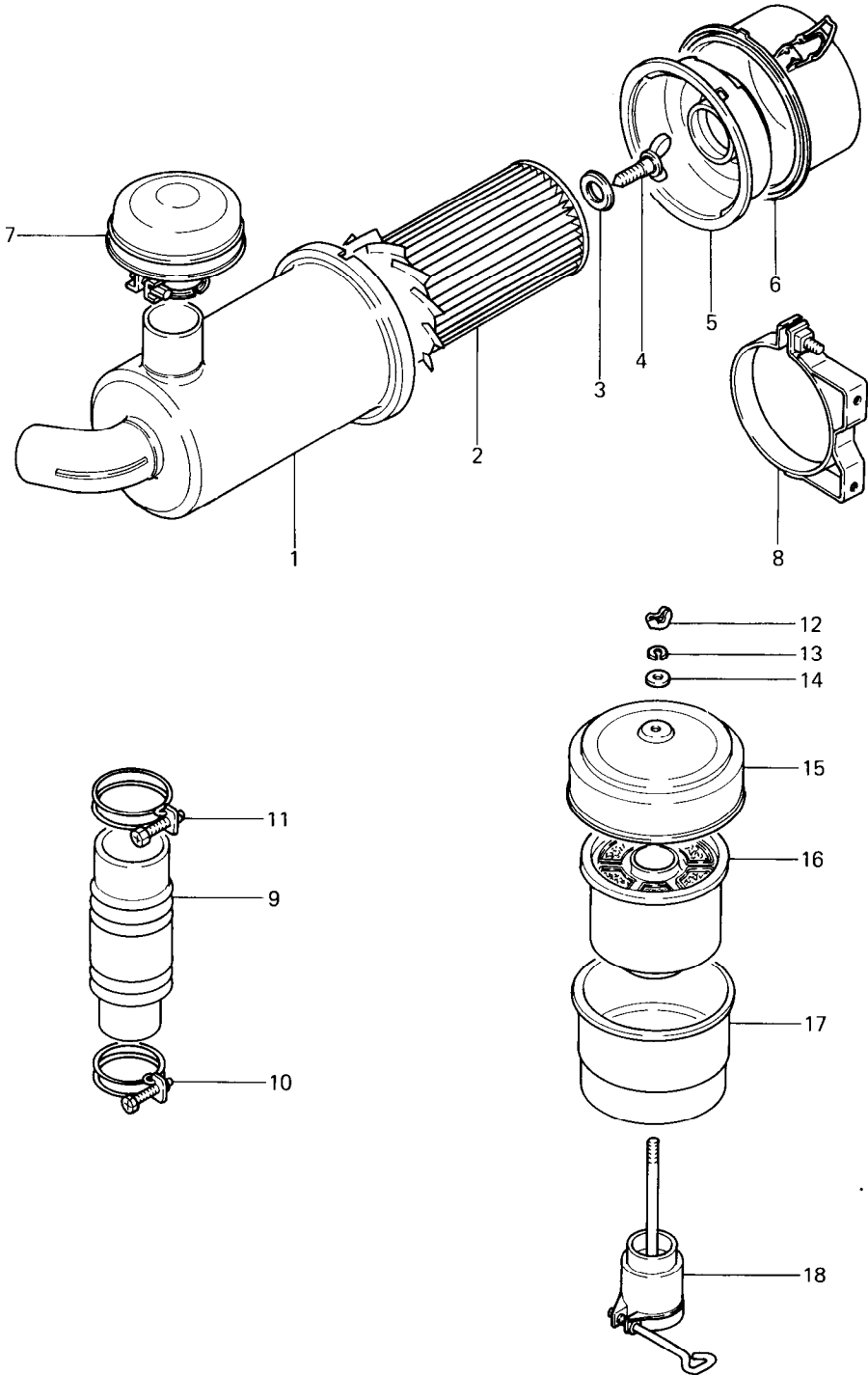
5-02 RADIATOR

FIG. No. 5-02

5 COOLING SYSTEM

Key No.	Part No.	Part Name	Model & No. Req'd				R / P	E / E	Remarks
			K4C	K4D	K4E	K4F			
	MM131129	RADIATOR ASSY	•	1	•	•		For FT	
	MM435181	RADIATOR ASSY	•	•	1	•		For TC	

FIG. No. 6-01



## 6-01 AIR CLEANER

### 6 INLET & EXHAUST SYSTEM

FIG. No. 6-01

Key No.	Part No.	Part Name	Model & No. Req'd				R / P	E / E	Remarks
			K4C	K4D	K4E	K4F			
1~7	MM400850	CLEANER ASSY, air	1	1	1	1		For 61A,JC,MS,PA,SA, D61A	
	MM400580	CLEANER ASSY, air	①	•	①	•		For 61WH	
	MM400581	CLEANER ASSY, air	1	•	1	•	O	A64 For 61TC,WH	
	MM436289	CLEANER ASSY, air	•	1	•	•		For 61FT	
1	MM510069	BODY ASSY	1	1	1	1		For 61A,JC,MS,PA,SA, TC,WH,D61A	
	MM510117	BODY ASSY	•	1	•	•		For 61FT	
2	MM510072	ELEMENT	①	①	•	•		For 61A,SA,WH	
	MM200573	ELEMENT	1	1	1	1	O	A29 For 61A,JC,MS,PA,SA, TC,WH,D61A	
	MM200571	ELEMENT	•	1	•	•		For 61FT	
3	MM510049	WASHER, seal	1	1	1	1		For 61A,FT,JC,MS, PA,SA,TC,WH,D61A	
4	MM510047	BOLT ASSY, center	1	1	1	1		For 61A,FT,JC,MS, PA,SA,TC,WH,D61A	
5	MM510071	PLATE ASSY, partition	1	1	1	1		For 61A,FT,JC,MS, PA,SA,TC,WH,D61A	
	MM510081	PLATE ASSY, pratition	•	1	•	•		For 61FT	
6	MM510070	PAN ASSY, dust	1	1	1	1		For 61A,FT,JC,MS, PA,SA,TC,WH,D61A	
7	MM510073	CAP ASSY, rain	1	1	1	1		For 61A,FT,JC,MS, PA,SA,D61A	
	MM510073	CAP ASSY, rain	①	•	①	•		A64 For 61WH	
8	JP9119290	BAND ASSY	2	•	2	•		For 61WH	
9	MM401322	HOSE, air	•	1	•	•		For 61PA	
10	MF661023	CLAMP, hose (48)	•	1	•	•		For 61PA	
11	MF661027	CLAMP, hose (58)	•	1	•	•		For 61PA	
12~18	MM200551	CLEANER ASSY, air	•	1	•	•		For 61AG	
12	K7644671	NUT, wing	•	1	•	•			
13	MF450404	WASHER, spring (6)	•	1	•	•			

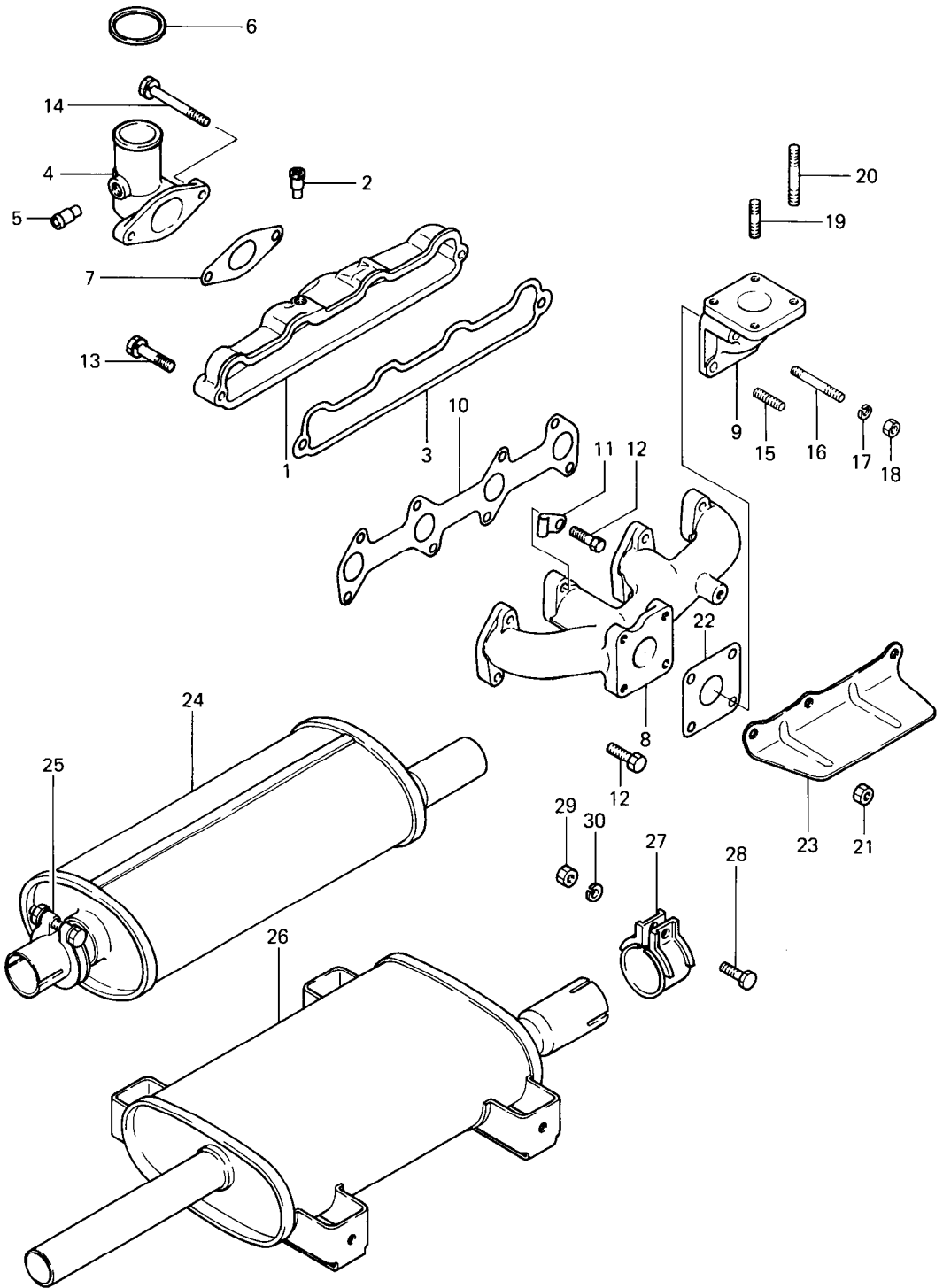
## 6-01 AIR CLEANER

FIG. No. 6-01

6 INLET & EXHAUST SYSTEM

Key No.	Part No.	Part Name	Model & No. Req'd				R / P	E / E	Remarks
			K4C	K4D	K4E	K4F			
14	K7644660	WASHER, plain (6)	•	1	•	•			
15	MM510022	COVER ASSY	•	1	•	•			
16	MM510021	ELEMENT ASSY	•	1	•	•			
17	*	PAN ASSY	•	1	•	•			
18	MM510024	PAN ASSY	•	1	•	•			

FIG. No. 6-02



6-02 INTAKE & EXHAUST PARTS

FIG. No. 6-02

6 INLET & EXHAUST SYSTEM

Key No.	Part No.	Part Name	Model & No. Req'd				R / P	E / E	Remarks
			K4C	K4D	K4E	K4F			
1	MM408548	MANIFOLD, intake	•	①	①	•		A76 For 61A	
	MM408548	MANIFOLD, intake	•	•	1	•		For 61RA	
	MM408548	MANIFOLD, intake	①	①	①	•		For 61SA,WM	
1, 2	MM408542	MANIFOLD ASSY, intake	1	1	1	1	#	A40 Exc.61RA,K4D,E-61A	
	MM408542	MANIFOLD ASSY, intake	•	1	1	•		A76 For 61A	
2	K9644171	PIPE	•	①	•	•		For 61WM	
	K9644171	PIPE	1	1	1	1		A76 Exc.61RA	
3	MM408552	GASKET, intake manifold	1	1	1	1			
4, 5	MM408567	PIPE ASSY, inlet	•		1	•		For 61.61RA	
	MM408567	PIPE ASSY, inlet	①	①	①	•		A40 For 61A,SA	
	MM408567	PIPE ASSY, inlet	•	①	•	•		For 61WM	
4	MM408563	PIPE, inlet	1	1	1	1	#	A21 Exc.61AG,DA,DM,EM, FT,MS,SM,TC,WH,WM, 62DA,SDG,WM,K4D,E-61A	
	MM408563	PIPE, inlet	1	1	1			A77 For K4D-61A,WM, K4E-61A	
	*	PIPE, inlet	•	1	1	•		For 61A,RA Service in assy	
	MM408565	PIPE, inlet	•	1	•	•		For 61AG,SDG,62SDG	
	MM408563	PIPE, inlet	①	•	•	•		For 61WH	
	MM409763	PIPE, inlet	1	1	1	•	X	A69 For 61EM,TC,WH	
5	K9644171	PIPE	•	•	1	•		For 61RA	
	K9644171	PIPE	•	①	①	•		A22 For 61A,WM	
6	MM306974	SEAL, dust	•	1	•	•		For 61AG,SDG,62SDG	
7	MM408566	GASKET, inlet pipe	1	1	1	1			
	MM408566	GASKET, inlet pipe	•	①	•	•		A99 For 61WM	
8	MM408572	MANIFOLD, exhaust	1	1	1	1		Exc.61AG,DM,EM,ES, MS,SDG,SM,SS,TM,WM, 62SDG,WM	

6-02 INTAKE & EXHAUST PARTS

FIG. No. 6-02

6 INLET & EXHAUST SYSTEM

Key No.	Part No.	Part Name	Model & No. Req'd				R / P	E / E	Remarks
			K4C	K4D	K4E	K4F			
	MM408591	MAINFOLD, exhaust	•	1	1	•		For 61AG,ES,MS,SDG, 62SDG	
9	MM433500	ELBOW, exhaust	•	①	•	•	A97	For 61DA	
10	MM408577	GASKET, exhaust manifold	1	1	1	1			
11	MM408590	CLAMP, tachometer cable	1	•	1	•		For 61ES,JC,TC,WH	
12	MF101259	BOLT (7T : 8×30)	7	7	7	7		Exc.61DM,EM,SM,SS, TM,WM,62WM	
13	MF241261	BOLT, with washer (7T : 8×40)	2	2	2	2			
14	MF241267	BOLT, with washer (7T : 8×70)	2	2	2	2		Exc.61DA,DM,SM,WM, 62DA	
14	MF241267	BOLT, with washer (7T : 8×70)	•	②	•	•	A99	For 61WM	
15	MF401936	STUD (4T : 8×25)	4	4	4	4		Exc.61DM,EM,SM,SS, TM,WM,62WM	
16	MF401936	STUD (4T : 8×25)	•	④	•	•	A97	For 61DA	
17	MF450405	WASHER, spring (8)	•	④	•	•	A97	For 61DA	
18	MD000569	NUT (8)	•	④	•	•	A97	For 61DA	
19	MF401934	STUD (4T : 8×20)	•	②	•	•	A97	For 61DA	
20	MF402574	STUD (7T : 8×50)	•	②	•	•	A97	For 61DA	
21	MF430005	NUT (4T : 8)	1	1	1			Exc.61DM,EM,SM,SS, TM,WM,62WM	
22	MM408581	GASKET	1	1	1			Exc. 61DM,EM,SM,WM, 62WM,K4D-61DA	
	MM408581	GASKET	•	①	•	•	A97	For 61DA	
23	MM409421	COVER starter	•	1	•	•		For 61FT	
	MM436294	COVER starter	•	1	•	•		For 61ST	
24, 25	MM317770	MUFFLER ASSY	•	1	•	•		For 61AG,PA	
25	MM317772	CLAMP	•	1	•	•		For 61AG,PA	
26~30	K8459101	MUFFLER ASSY	•	•	1	•		For 61TC	
27	MA152440	CLAMP	•	•	1	•			



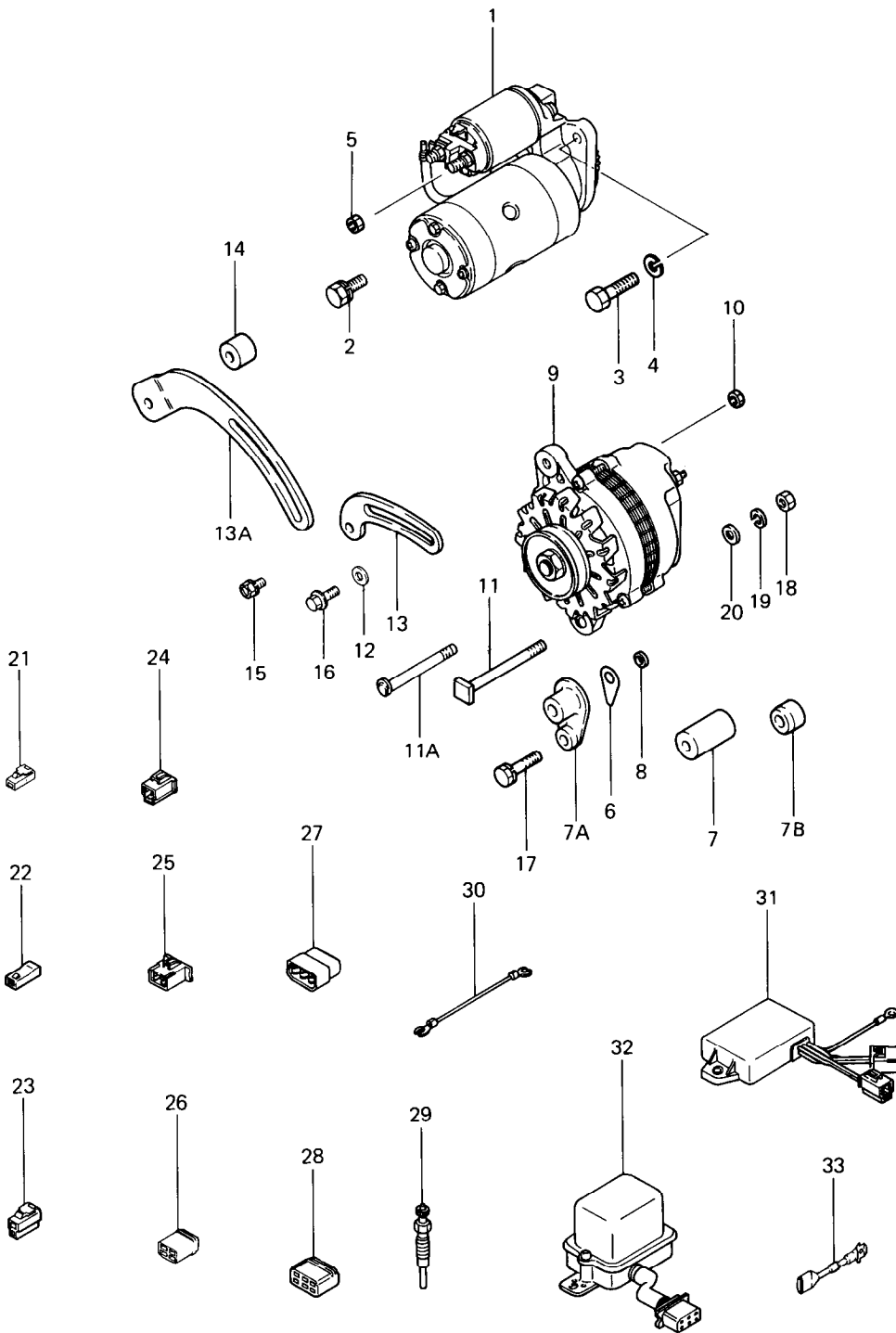
6-02 INTAKE & EXHAUST PARTS

FIG. No. 6-02

6 INLET & EXHAUST SYSTEM

Key No.	Part No.	Part Name	Model & No. Req'd				R / P	E / E	Remarks
			K4C	K4D	K4E	K4F			
28	MF100057	BOLT (4T : 8X25)	•	•	1	•			
29	MF430005	NUT (4T : 8)	•	•	1	•			
30	MF450405	WASHER (8)	•	•	1	•			

FIG. No. 7-01



7-01 ELECTRICAL EQUIPMENT

FIG. No. 7-01

7 ELECTRICAL SYSTEM

Key No.	Part No.	Part Name	Model & No. Req'd				R / P	E / E	Remarks
			K4C	K4D	K4E	K4F			
1	MM409410	STARTER ASSY (12V-1.6KW) : M	1	1	1	•		For 61AG,DM,JC,PA, K4C-61A,SA,SS	
	MM409410	STARTER ASSY (12V-1.6KW) : M	•	①	•	•	A98	For 61WM	
	MM409414	STARTER ASSY (12V-1.6KW) : M	①	•	•	•		For 61WH	
	MM409413	STARTER ASSY (12V-2.0KW) : M	1	1	1	1	X	A61	Exc.61AG,DM,FT,JC, PA,ST,WM,62WM,K4C-61A, SA,SS
	MM409412	STARTER ASSY (12V-20KW) : M	•	1	•	•		For 61FT,ST	
2	MF241282	BOLT, with washer (7T : 10X25)	1	1	1	1		Exc.61AG,DM,FT,RA, SC,SM,TM,WM,62WM	
	MF241282	BOLT, with washer (7T : 10X25)	•	2	2	•		For 61AG,DM,RA,SC, SM,TM	
3	MM409420	BOLT, starter	1	1	1	1		Exc.61AG,DA,DM,ES,FT, PA,RA,SC,SDG,SM,TM,WM, 62DA,SDG,WM,D62DA	
	MM409427	BOLT, starter	•	1	•	1		For 61DA,ES,PA,62DA, SDG,D62DA	
4	MF450406	WASHER, spring (10)	1	1	1	1		Exc.61AG,DM,FT,RA,SC, SM,TM,WM,62WM	
5	MF430726	NUT, jam (4T : 10)	•	1	•	•		For 61SDG,62SDG	
6	MD001517	SHIM	S	S	S	S		Exc.61SC,TM	
7	MM409328	SPACER	1	1	1	•		For 61A,ES,MS,RA,SA, K4C-61SS	
	MM409328	SPACER	①	•	•	•		For 61WH	
	MM434440	SPACER	•	1	•	•		For 61FT,ST	
7A	MM409656	SPACER	•	1	1			For 61DM,EM,SS	
	MM409656	SPACER	•	①	•	•	A98	For 61WM	
7B	MM409320	SPACER	1	1	1	1	X	A35	For 61AG,DA,JC,KL,PA, SM,TC,WH,62DA,SDG, D61A,D62DA
8	MF450005	WASHER, plain (8)	•	1	•	•		For 61KL,ST	
9	MD017645	ALTERNATOR ASSY (12V-35A) : M	1	1	1	•		For 61A,ES,MS,RA,SA, K4D-61SS	
	MD017645	ALTERNATOR ASSY (12V-35A) : M	①	•	•	•		For 61WH	
	MM407671	ALTERNATOR ASSY (12V-15A) : M	1	1	•	•		For 61AG, JC	
	MM409650	ALTERNATOR ASSY (12V-50A) : M	•	1	1	1		For 61DM,EM,SS,WM, 62WM	

7-01 ELECTRICAL EQUIPMENT

FIG. No. 7-01

7 ELECTRICAL SYSTEM

Key No.	Part No.	Part Name	Model & No. Req'd				R / P	E / E	Remarks
			K4C	K4D	K4E	K4F			
	MM409651	ALTERNATOR ASSY (12V-35A) : M	1	1	1	.	X	A35 For 61PA,SM,WH	
	MM409651	ALTERNATOR ASSY (12V-35A) : M	.	①	.	.		A97 For 61DA,62DA	
	MM435752	ALTERNATOR ASSY (12V-40A) : M	.	1	1	1	X	A72 For 61DA,SDG,62DA,SDG, D61A,D62DA	
	MM432804	ALTERNATOR ASSY (12V-40A) : M	.	.	1	.		For 61TC	
	MM435081	ALTERNATOR ASSY (12V-40A) : M	.	1	.	.		For 61FT,ST	
10	MF430723	NUT, jam (4T : 5)	.	1	.	.		For 61SDG,62SDG	
11	MD017625	BOLT, special (8×85)	1	1	1	.		For 61A,ES,MS,SA, K4C-61SS	
	MD017625	BOLT, special (8×85)	①	.	.	.		For 61WH	
	MD021662	BOLT (8×92)	.	1	1	1		For 61DM,EM,SS,WM, K4D-61SS	
11A	MD001515	BOLT (8×82)	1	1	1	1	X	A35 For 61AG,DA,FT,KL,JC, PA,SM,ST,TC,WH,62DA, SDG,D61A,D62DA Exc.61TM	
12	MD000425	WASHER	①	①	.	.			
	MD001521	WASHER	1	1	1	1	O	Exc.61SC,TM,WM,62WM	
13	MM409463	BRACE, generater	1	1	1	1		A72 For 61A,DA,ES,MS,SA, SDG,TS,62DA,SDG, K4C-61SS,D61A,D62DA For 61AG,JC	
	MM409460	BRACE, generater	1	1	.	.			
	MM409464	BRACE, generater	1	1	1	.		For 61KL,PA,SM,WH	
	MM409464	BRACE, generater	.	①	.	.		A97 For 61DA,62DA	
	MM434439	BRACE, generater	.	.	1	.		For 61FT,61ST	
13A	MM409655	BRACE, generater	.	1	1	.		For 61DM,EM,SS	
14	MM409466	PIECE, distance	1	1	1	.		For 61PA,SM,WH	
	MM409466	PIECE, distance	.	①	①	.		A97 For 61DA,62DA	
15	MF241251	BOLT, with washer (7T : 8×16)	1	1	1	1		Exc.61DA,KL,PA,SC, SM,TM,WH,62DA,WM,62WM	
15	MF241251	BOLT, with washer (7T : 8×16)	.	①	①	.		A98 For 61WM,62WM	
	MF241251	BOLT, with washer (7T : 8×16)	①	①	.	.		For 61WH	

## 7-01 ELECTRICAL EQUIPMENT

FIG. No. 7-01

7 ELECTRICAL SYSTEM

Key No.	Part No.	Part Name	Model & No. Req'd				R / P	E / E	Remarks
			K4C	K4D	K4E	K4F			
16	MF241259	BOLT, with washer (7T : 8×35)	1	1	1	•	X	A35	For 61PA,SM,WH
	MF241259	BOLT, with washer (7T : 8×35)	•	①	•	•		A97	For 61DA,62DA
	MF241255	BOLT, with washer (7T : 8×25)	①	①	•	•			
	MF140026	BOLT, flange (8×22)	1	1	1	1	O		Exc.61SC,TM,WM,62WM
	MF140024	BOLT, flange (8×22)	•	①	•	•		A98	For 61WM
17	MF241261	BOLT, with washer (7T : 8×40)	•	•	1	•			For 61DM
18	MF430005	NUT (4T : 8)	1	1	1	1			Exc.61SC,TM,WM,62WM
	MF430005	NUT (4T : 8)	•	①	•	•		A98	For 61WM
19	MF450405	WASHER, spring (8)	1	1	1	1			Exc.61SC,TM,WM,62WM
	MF450405	WASHER, spring (8)	•	①	•	•		A98	For 61WM
20	MS450035	WASHER, plain (8)	1	1	1	1			Exc.61SC,TM,WM,62WM
	MS450035	WASHER, plain (8)	•	①	•	•		A98	For 61WM
21	MM409660	CONNECTOR, 1 pole female	1	1	1	1			For 61DA,DM,EM,PA, SM,WH,WM,62DA,WM, K4D-61SS,D61A,D62DA
22	MS800516	CONNECTOR, 1 pole female	•	•	1	•			For 61ES
23	MB084014	CONNECTOR, 2 poles female	1	1	1	1			Exc.61A,AG,JC,MS,RA, SA,SC,TM,K4C-61SS
24	MM409661	CONNECTOR, 3 poles male	1	1	1	•		A40	For 61EM,ES,FT,KL, MS,SA,SDG,TC,62SDG
25	MM409663	CONNECTOR, 4 poles male	1	1	1	•		A40	For 61EM,ES,FT,KL, MS,SA,SDG,TC,62SDG
26	JP9417170	CONNECTOR, 4 poles female	1	1	1	•		A61	For 61A,AG,ES,JC,MS, RA,SA,WH,62SDG, K4C-61SS
27	JP9417180	CONNECTOR, 6 poles male	1	1	1	•			For 61A,AG,ES,JC,MS, RA,SA,K4C-61SS
28	MB084010	CONNECTOR, 6 poles female	•	•	1	•			For 61ES
29	MM401621	PLUG, glow (12V : Y-110)	4	4	4	4			Exc.61DA,EM,ES,FT,MS, SDG,ST,WH,62DA,SDG, D61A,D62DA
	MM401621	PLUG, glow (12V : Y-110)	④	④	④	•			For 61DA,WH,62DA
	MM409510	PLUG, glow (12V : Y-114T)	4	4	4	•	X	A72	For 61DA,EM,ES,FT, MS,SDG,ST,WH, 62DA,SDG

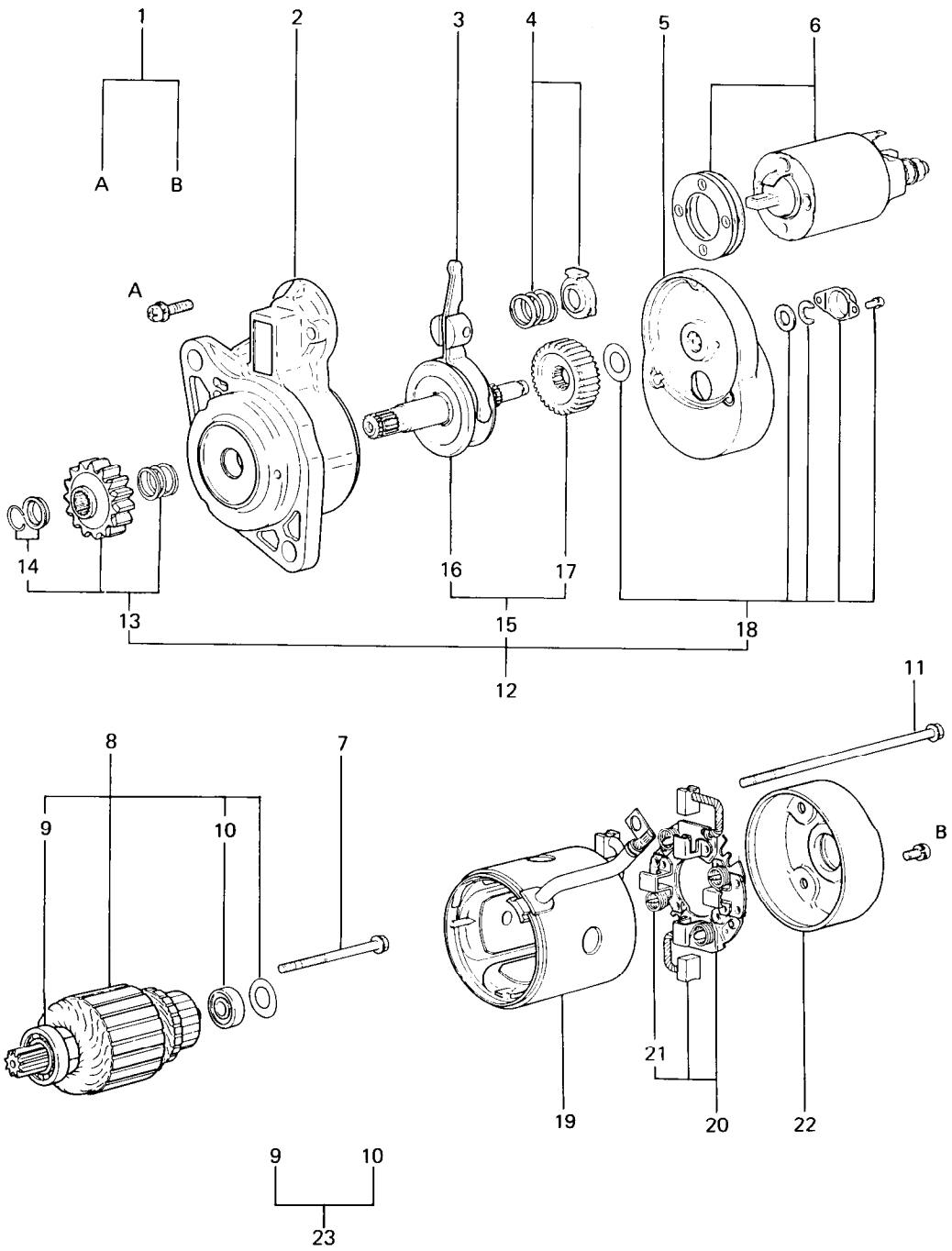
7-01 ELECTRICAL EQUIPMENT

FIG. No. 7-01

7 ELECTRICAL SYSTEM

Key No.	Part No.	Part Name	Model & No. Req'd				R / P	E / E	Remarks
			K4C	K4D	K4E	K4F			
	MM431439	PLUG, glow (12V : Y-142T)	•	•	•	4		For D61A,D62DA	
30	K9670260	WIRE, glow plug read	3	3	3	3		Exc.61DA,EM,ES,FT,MS, SDG,ST,WH,62DA, SDG,D61A,D62DA For 61DA,WH,62DA	
	K9670260	WIRE, glow plug read	③	③	③	•			
	MM409511	WIRE, glow plug read	3	3	3	•	X A72	For 61DA,EM,ES,FT,MS, SDG,ST,WH,62DA,SDG	
	MM432739	WIRE, glow plug read	•	•	•	3		For D61A,D62DA	
31	MM409675	UNIT ASSY, contorol timer	①	①	①	•	A40	For 61EM,MS,SA	
	MM434825	UNIT ASSY, contorol timer	①	①	①	•	Y A65	For 61EM,MS,SA	
	MM435745	UNIT ASSY, contorol timer	1	1	1	•	Y A66	For 61EM,ES,FT,KL,MS, SA,SDG,TC,62SDG	
32	MD001821	REGULATOR ASSY	1	1	1	•		For 61A,AG,ES,JC,MS, RA,SA,K4C-61SS	
33	MM434062	DIODE	•	1	1	•		For 61EM,FT,KL (61ES,SDG,62SDG : 2pcs.)	

FIG. No. 7-02A



7-02A STARTER (1.6KW)

FIG. No. 7-02A

7 ELECTRICAL SYSTEM

Key No.	Part No.	Part Name	Model & No.Req'd				R / P	E / E	Remarks
			K4C	K4D	K4E	K4F			
1~22	MM409410	STARTER ASSY (12V-1.6KW) : M	1	1	1	·		For 61AG,DM,JC,PA, K4C-61A,SA,SS	
	MM409410	STARTER ASSY (12V-1.6KW) : M	·	①	·	·	A98	For 61WM	
	MM409414	STARTER ASSY (12V-1.6KW) : M	①	·	·	·	A61	For 61WH	
1	MD607432	SCREW SET	1	1	1	·		For 61AG,DM,JC,PA, K4C-61A,SA,SS	
	MD607432	SCREW SET	①	①	·	·	A98	For 61WH,WM	
2	MM502398	BRACKET ASSY, front	1	1	1	·		For 61AG,DM,JC,PA, K4C-61A,SA,SS	
	MM502484	BRACKET ASSY, front	①	·	·	·	A61	For 61WH	
	MM502398	BRACKET ASSY, front	·	①	·	·	A98	For 61WM	
3	MM502329	LEVER ASSY	1	1	1	·		For 61AG,DM,JC,PA, K4C-61A,SA,SS	
	MM502485	LEVER ASSY	①	·	·	·	A61	For 61WH	
	MM502329	LEVER ASSY	·	①	·	·	A98	For 61WM	
4	MD602963	SPRING SET	1	1	1	·	O	For 61AG,DM,JC,PA, K4C-61A,SA,SS	
	MM502330	SPRING SET	①	·	·	·	A61	For 61WH	
	MD602963	SPRING SET	·	①	·	·	A98	For 61WM	
5	MM502331	BRACKET ASSY, center	1	1	1	·		For 61AG,DM,JC,PA, K4C-61A,SA,SS	
	MM502331	BRACKET ASSY, center	①	①	·	·	A98	For 61WH,WM	
6	MM502461	SWITCH ASSY	1	1	1	·	Y	For 61AG,DM,JC,PA, K4C-61A,SA,SS	
	MM502465	SWITCH ASSY	①	·	·	·	A61	For 61WH	
	MM502461	SWITCH ASSY	·	①	·	·	A98	For 61WM	
7	MM502332	BOLT, through	1	1	1	·		For 61AG,DM,JC,PA, K4C-61A,SA,SS	
	MM502332	BOLT, through	①	①	·	·	A98	For 61WH,WM	
8	MM502333	ARMATURE SET	1	1	1	·		For 61AG,DM,JC,PA, K4C-61A,SA,SS	
	MM502333	ARMATURE SET	①	①	·	·	A98	For 61WH,WM	



7-02A STARTER (1.6KW)

FIG. No. 7-02A

7 ELECTRICAL SYSTEM

Key No.	Part No.	Part Name	Model & No.Req'd				R / P	E / E	Remarks
			K4C	K4D	K4E	K4F			
9	MM502334	BEARING, front	1	1	1	•		For 61AG,DM,JC,PA, K4C-61A,SA,SS	
	MM502334	BEARING, front	①	①	•	•		For 61WH,WM	
10	MM502335	BEARING, rear	1	1	1	•		For 61AG,DM,JC,PA, K4C-61A,SA,SS	
	MM502335	BEARING, rear	①	①	•	•	A98	For 61WH,WM	
11	MM502347	BOLT, through	2	2	2	•		For 61AG,DM,JC,PA, K4C-61A,SA,SS	
	MM502347	BOLT, through	②	②	•	•	A98	For 61WH,WM	
12	MM502395	SHAFT, ASSY, clutch set	1	1	1	•		For 61AG,DM,JC,PA, K4C-61A,SA,SS	
	MM502487	SHAFT ASSY, clutch set	①	•	•	•	A61	For 61WH	
	MM502395	SHAFT ASSY, clutch set	•	①	•	•	A98	For 61WH	
13	MM502396	PINION SET	1	1	1	•		For 61AG,DM,JC,PA, K4C-61A,SA,SS	
	MM502396	PINION SET	①	①	•	•	A98	For 61WH,WM	
14	MD607416	STOPPER SET	1	1	1	•		For 61AG,DM,JC,PA, K4C-61A,SA,SS	
	MD607416	STOPPER SET	①	①	•	•		For 61WH,WM	
15	MD607539	GEAR SET	1	1	1	•		For 61AG,DM,JC,PA, K4C-61A,SA,SS	
	MD607937	GEAR SET	①	•	•	•	A61	For 61WH	
	MD607539	GEAR SET	•	①	•	•	A98	For 61WH	
16	MD607540	SHAFT ASSY, pinion	1	1	1	•		For 61AG,DM,JC,PA, K4C-61A,SA,SS	
	MD607938	SHAFT ASSY, pinion	①	•	•	•	A61	For 61WH	
	MD607540	SHAFT ASSY, pinion	•	①	•	•	A98	For 61WH	
17	MM502341	GEAR	1	1	1	•		For 61AG,DM,JC,PA, K4C-61A,SA,SS	
	MM502341	GEAR	①	①	•	•	A98	For 61WH,WM	
18	MM502342	COVER SET	1	1	1	•		For 61AG,DM,JC,PA, K4C-61A,SA,SS	
	MM502342	COVER SET	①	①	•	•	A98	For 61WH,WM	

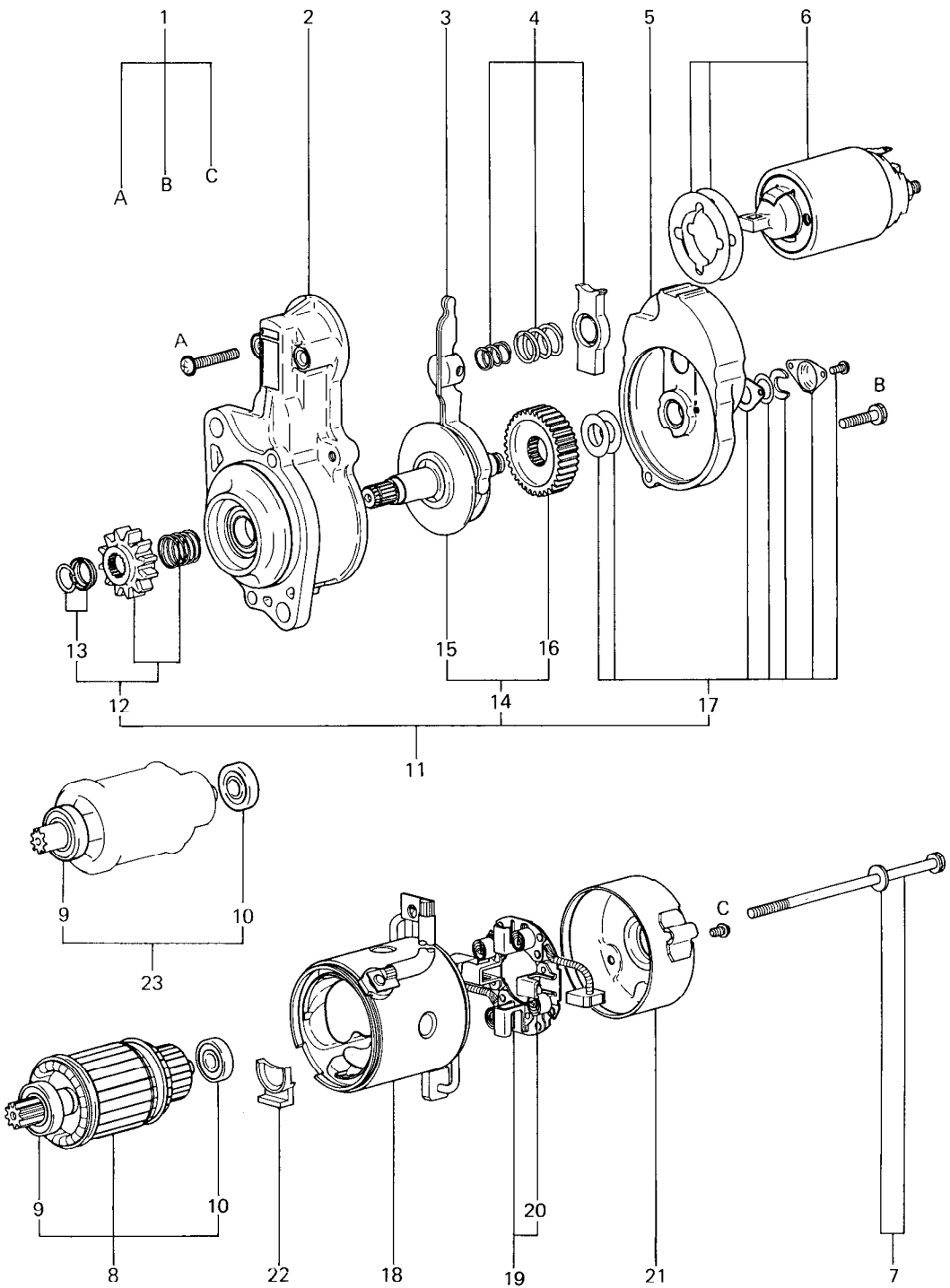
7-02A STARTER (1.6KW)

FIG. No. 7-02A

7 ELECTRICAL SYSTEM

Key No.	Part No.	Part Name	Model & No.Req'd				R / P	E / E	Remarks
			K4C	K4D	K4E	K4F			
19	MM502397	YOKE ASSY	1	1	1	•		For 61AG,DM,JC,PA, K4C-61A,SA,SS	
	MM502397	YOKE ASSY	①	①	•	•	A98	For 61WH,WM	
20	MD607420	HOLDER ASSY, brush	1	1	1	•		For 61AG,DM,JC,PA, K4C-61A,SA,SS	
	MD607420	HOLDER ASSY, brush	①	①	•	•	A98	For 61WH,WM	
21	MD602210	SPRING, brush	4	4	4	•		For 61AG,DM,JC,PA, K4C-61A,SA,SS	
	MD602210	SPRING, brush	④	④	•	•	A98	For 61WH,WM	
22	MM502346	BRACKET, rear	1	1	1	•		For 61AG,DM,JC,PA, K4C-61A,SA,SS	
	MM502346	BRACKET, rear	①	①	•	•	A98	For 61WH,WM	
23	MM409895	SERVICE KIT, starter bearing	S	S	S	•		Inc,Key No.9,10 For 61AG,DM,JC,PA, K4C-61A,SA,SS	
	MM409895	SERVICE KIT, starter bearing	•	Ⓢ	•	•	A98	Inc,Key No.9,10 For 61WM	

FIG. No. 7-02B



## 7-02B STARTER (2.0KW)

FIG. No. 7-02B

7 ELECTRICAL SYSTEM

Key No.	Part No.	Part Name	Model & No. Req'd				R / P	E / E	Remarks
			K4C	K4D	K4E	K4F			
1~22	MM409412	STARTER ASSY (12V-2.0KW) : M	•	1	•	•		For 61FT,ST	
	MM409413	STARTER ASSY (12V-2.0KW) : M	1	1	1	1		Exc. 61AG,DM,FT,JC,PA, ST,WM,62WM,K4C-61A, SA,SS	
1	MD607631	SCREW SET	1	1	1	1		Exc. 61AG,DM,JC,PA,WM, 62WM,K4C-61A,SA,SS	
2	MM502452	BRACKET ASSY, front	1	1	1	1		Exc. 61AG,DM,FT,JC,PA, ST,WM,62WM,K4C-61A, SA,SS	
	MM502436	BRACKET ASSY, front	•	1	•	•		For 61FT,ST	
3	MD607633	LEVER ASSY	1	1	1	1		Exc. 61AG,DM,JC,PA,WM, 62WM,K4C-61A,SA,SS	
4	MD607446	SPRING SET	1	1	1	1		Exc. 61AG,DM,JC,PA,WM, 62WM,K4C-61A,SA,SS	
5	MM502441	BRACKET ASSY, center	1	1	1	1		Exc. 61AG,DM,JC,PA,WM, 62WM,K4C-61A,SA,SS	
6	MD607634	SWITCH ASSY	1	1	1	1		Exc. 61AG,DM,JC,PA,WM, 62WM,K4C-61A,SA,SS	
7	MD607635	BOLT SET	1	1	1	1		Exc. 61AG,DM,JC,PA,WM, 62WM,K4C-61A,SA,SS	
8	MD607636	ARMATURE SET	1	1	1	1		Exc. 61AG,DM,JC,PA,WM, 62WM,K4C-61A,SA,SS	
9	MD607643	BEARING, front	1	1	1	1		Exc. 61AG,DM,JC,PA,WM, 62WM,K4C-61A,SA,SS	
10	MD607638	BEARING, rear	1	1	1	1		Exc. 61AG,DM,JC,PA,WM, 62WM,K4C-61A,SA,SS	
11	MM502438	SHAFT ASSY, clutch set	1	1	1	1		Exc. 61AG,DM,JC,PA,WM, 62WM,K4C-61A,SA,SS	
12	MM502439	PINION SET	1	1	1	1		Exc. 61AG,DM,JC,PA,WM, 62WM,K4C-61A,SA,SS	
13	ME700124	STOPPER SET	1	1	1	1		Exc. 61AG,DM,JC,PA,WM, 62WM,K4C-61A,SA,SS	
14	MM502442	GEAR SET	1	1	1	1		Exc. 61AG,DM,JC,PA,WM, 62WM,K4C-61A,SA,SS	
15	MD607642	SHAFT ASSY, pinion	1	1	1	1		Exc. 61AG,DM,JC,PA,WM, 62WM,K4C-61A,SA,SS	
16	MM502443	GEAR	1	1	1	1		Exc. 61AG,DM,JC,PA,WM, 62WM,K4C-61A,SA,SS	
17	ME700125	COVER SET	1	1	1	1		Exc. 61AG,DM,JC,PA,WM, 62WM,K4C-61A,SA,SS	
18	MM502453	YOKE ASSY	1	1	1	1		Exc. 61AG,DM,FT,JC,PA, ST,WM,62WM,K4C-61A, SA,SS	
	MM502440	YOKE ASSY	•	1	•	•		For 61FT,ST	
19	ME700127	HOLDER ASSY, brush	1	1	1	1		Exc. 61AG,DM,JC,PA,WM, 62WM,K4C-61A,SA,SS	

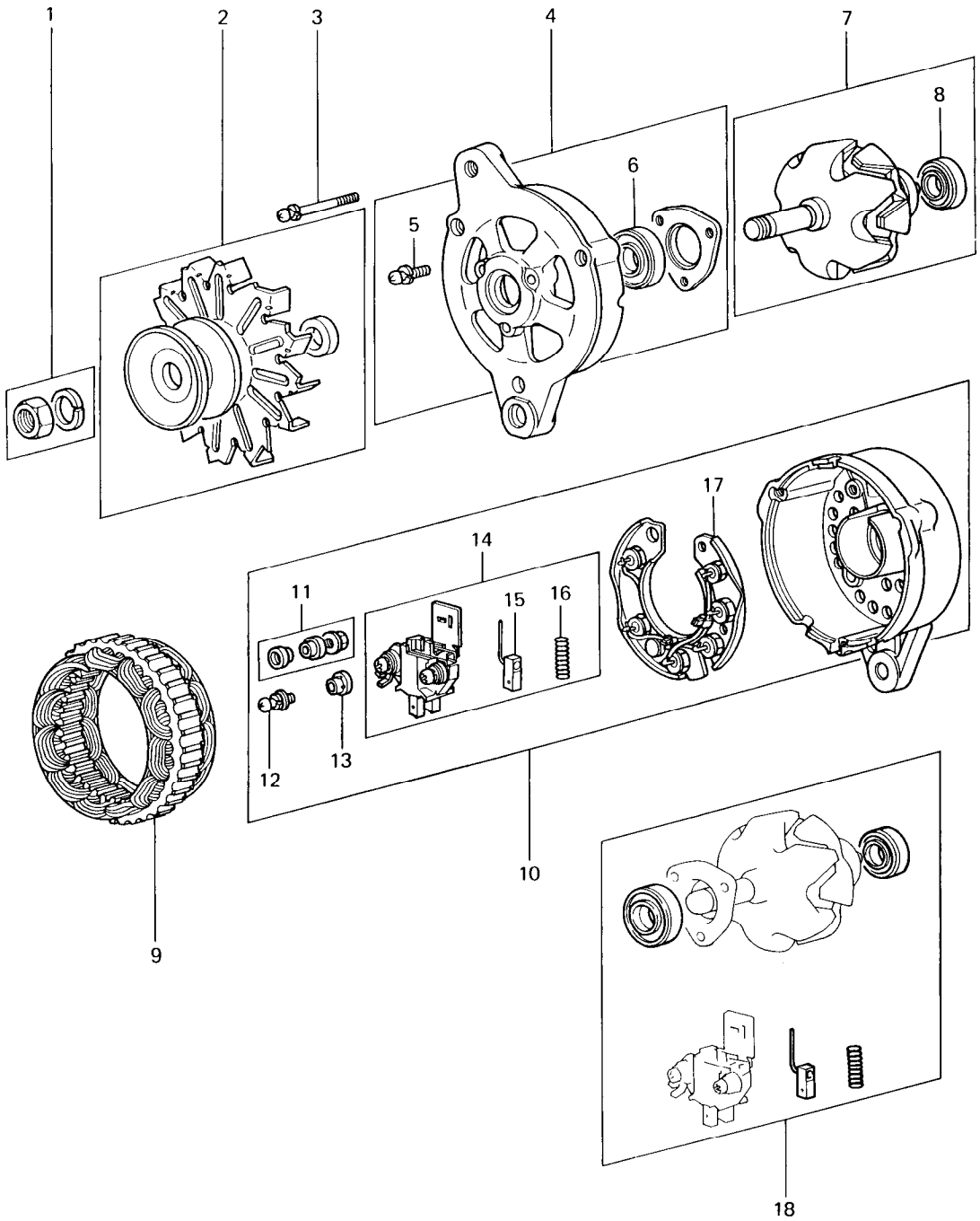
7-02B STARTER (2.0KW)

FIG. No. 7-02B

7 ELECTRICAL SYSTEM

Key No.	Part No.	Part Name	Model & No.Req'd				R / P	E / E	Remarks
			K4C	K4D	K4E	K4F			
20	ME700128	SPRING, brush	4	4	4	4		Exc. 61AG,DM,JC,PA,WM, 62WM,K4C-61A,SA,SS	
21	MD607645	BRACKET ASSY, rear	1	1	1	1		Exc. 61AG,DM,JC,PA,WM, 62WM,K4C-61A,SA,SS	
22	MM502444	PACKING	1	1	1	1		Exc. 61AG,DM,JC,PA,WM, 62WM,K4C-61A,SA,SS	
23	MM436608	SERVICE KIT, stater bearing	1	1	1	1	A94	Exc. 61AG,DM,JC,PA,WM, 62WM,K4C-61A,SA,SS	

FIG. No. 7-03A



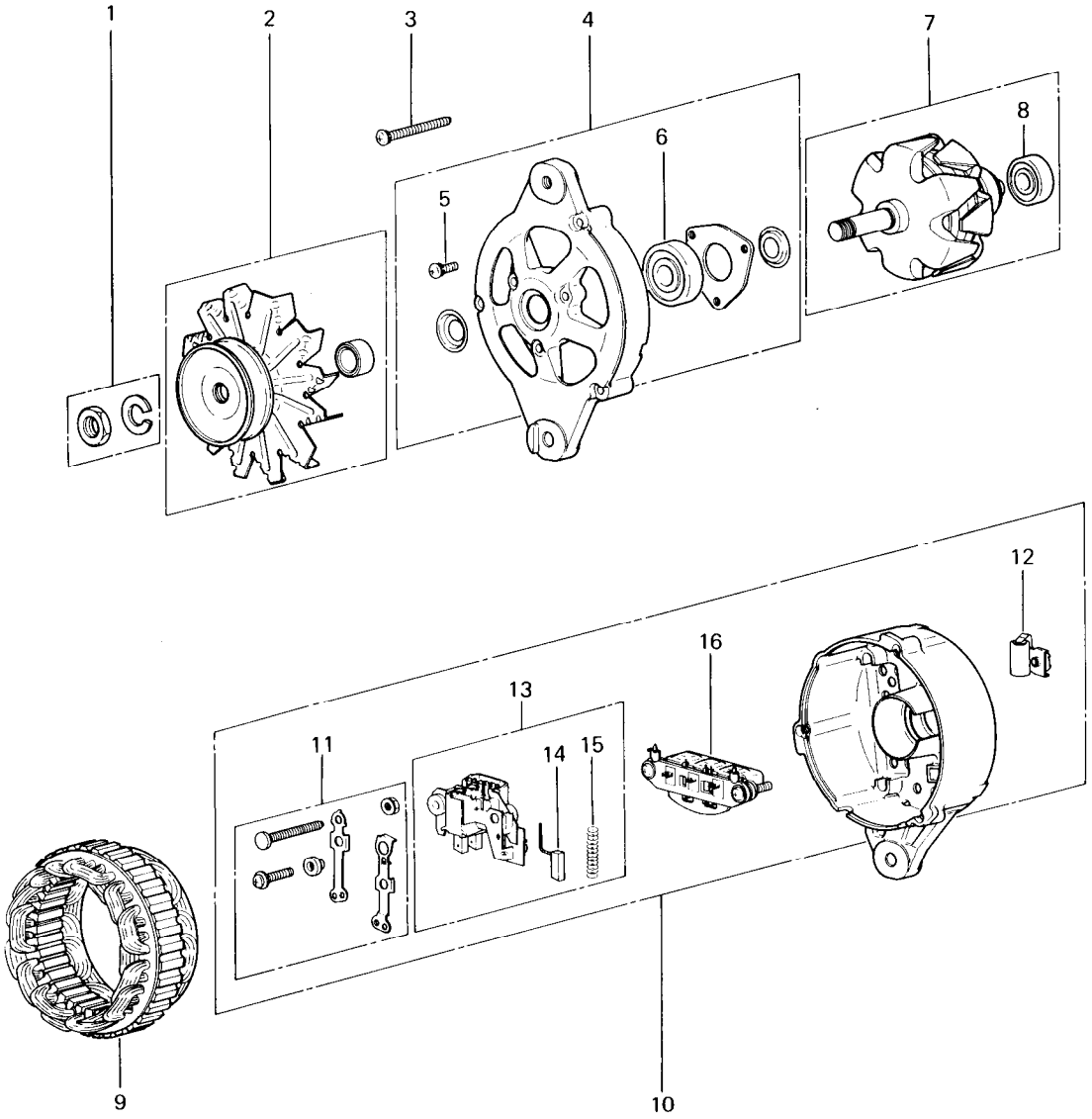
7-03A ALTERNATOR (35A)

FIG. No. 7-03A

7 ELECTRICAL SYSTEM

Key No.	Part No.	Part Name	Model & No. Req'd				R / P	E / E	Remarks
			K4C	K4D	K4E	K4F			
1~17	MD017645	ALTERNATOR ASSY (12V-35A) : M	1	1	1	•		For 61A,ES,MS,RA,SA, K4C-61SS	
1	MM502340	NUT SET	1	1	1	•			
2	MD607170	PULLEY ASSY	1	1	1	•			
3	MD607212	SCREW SET	1	1	1	•			
4	MD607267	BRACKET ASSY, front	1	1	1	•			
5	MD602938	SCREW SET	1	1	1	•			
6	MD602264	BEARING, front	1	1	1	•			
7	MM502298	ROTOR ASSY	1	1	1	•			
8	MD602789	BEARING, rear	1	1	1	•			
9	MM502299	STATOR	1	1	1	•			
10	MD607268	BRACKET ASSY, rear	1	1	1	•			
11	MD607176	NUT SET	1	1	1	•			
12	MF350769	SCREW, with washer (5X14)	1	1	1	•			
13	MD602826	MOLD	1	1	1	•			
14	MD602797	HOLDER ASSY, brush	1	1	1	•			
15	MD602783	BRUSH	2	2	2	•			
16	MD602227	SPRING, brush	2	2	2	•			
17	MD607269	RECTIFIER ASSY	1	1	1	•			
18	MM409897	SERVICE KIT, brush & bearing	S	S	S	•		For 61A,ES,MS,RA,SA, K4C-61SS Inc. Key No.6,8,15,16	

FIG. No. 7-03B





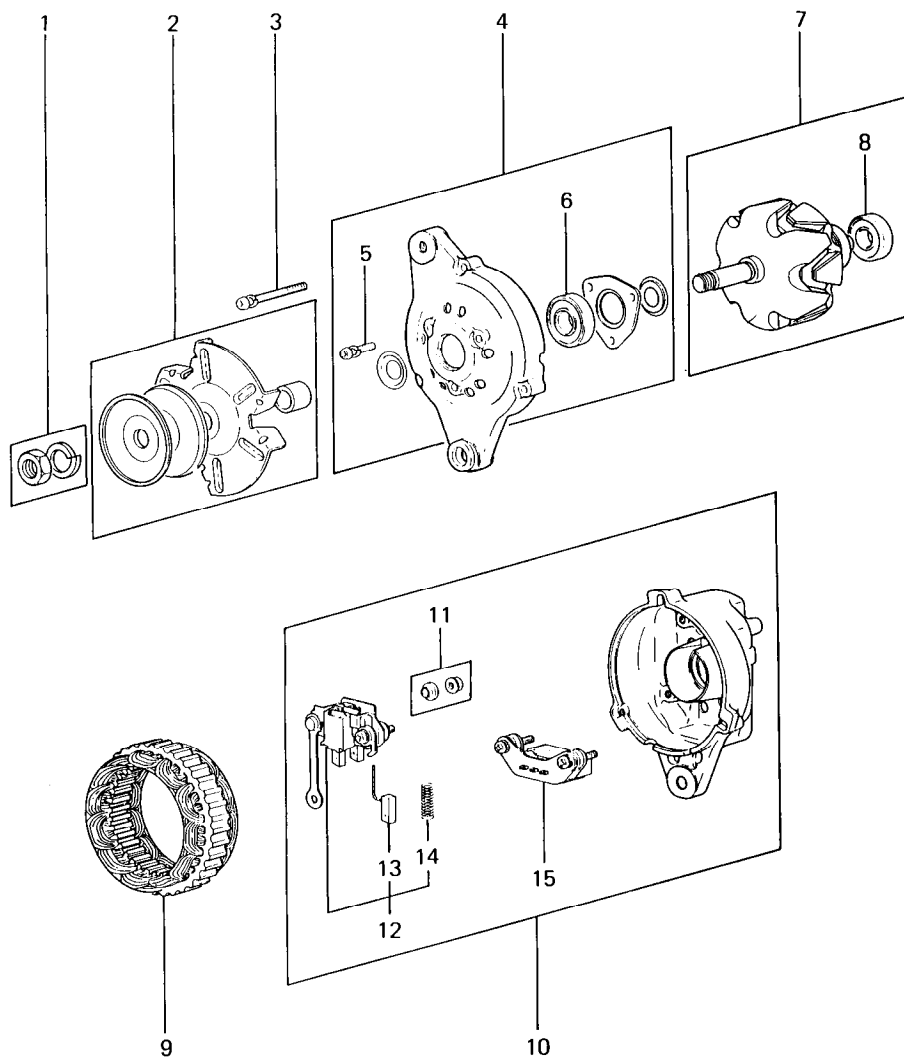
7-03B ALTERNATOR (50A)

FIG. No. 7-03B

7 ELECTRICAL SYSTEM

Key No.	Part No.	Part Name	Model & No. Req'd				R / P	E / E	Remarks
			K4C	K4D	K4E	K4F			
1~16	MM409650	ALTERNATOR ASSY (12V-50A) : M	•	1	1	1			For 61DM,EM,SS,WM, 62WM
1	MM502340	NUT SET	•	1	1	1			
2	MD607258	PULLEY ASSY	•	1	1	1			
3	MD607212	SCREW SET	•	1	1	1			
4	MD607367	BRACKET ASSY, front	•	1	1	1			
5	MD602938	SCREW SET	•	1	1	1			
6	MM502264	BEARING, front	•	1	1	1			
7	MD607300	ROTOR ASSY	•	1	1	1			
8	MD602789	BEARING, rear	•	1	1	1			
9	MD607368	STATOR	•	1	1	1			
10	MM502415	BRACKET ASSY, rear	•	1	1	1			
11	MD607371	TERMINAL SET	•	1	1	1			
12	MD607262	CONDENSER ASSY	•	1	1	1			
13	MD607372	REGULATOR ASSY	•	1	1	1			
14	MD607373	BRUSH	•	2	2	2			
15	MD602227	SPRING, brush	•	2	2	2			
16	MM502414	RECTIFIER ASSY	•	1	1	1			

FIG. No. 7-03C



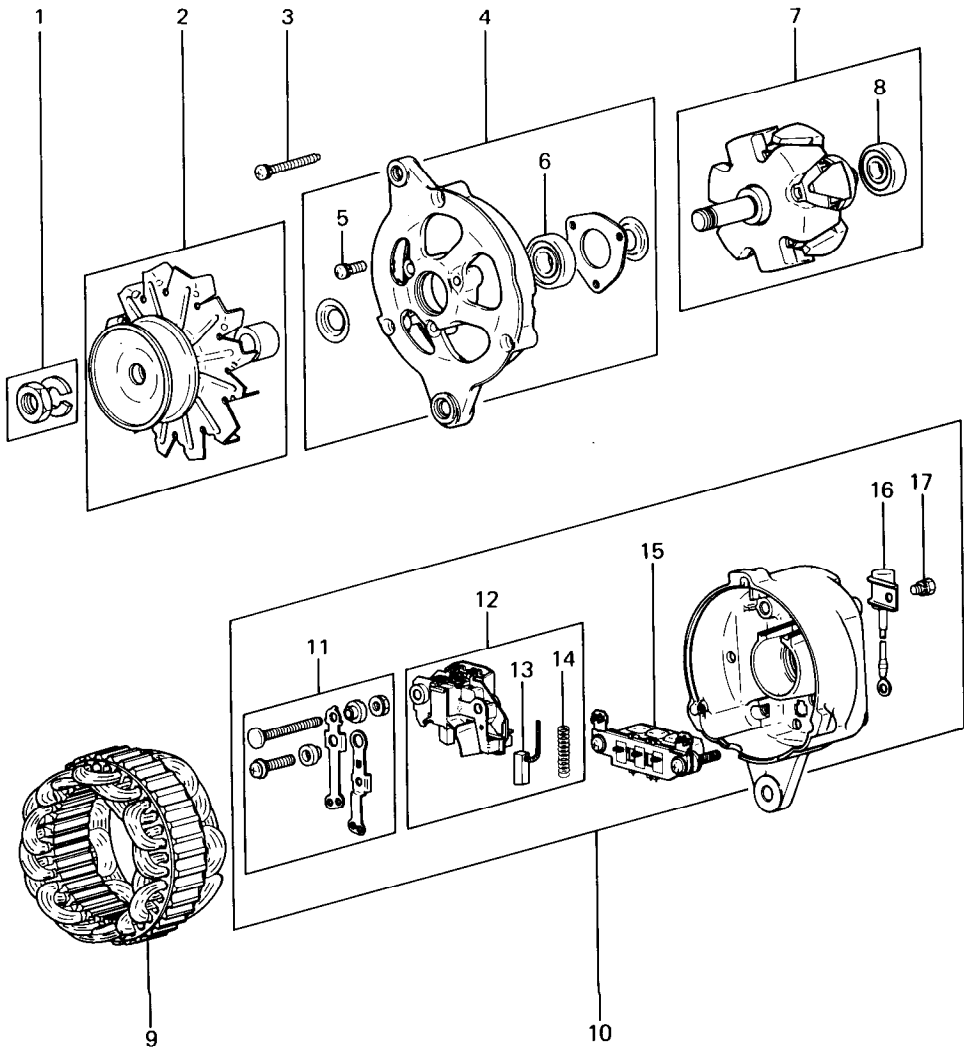
## 7-03C ALTERNATOR (15A)

FIG. No. 7-03C

7 ELECTRICAL SYSTEM

Key No.	Part No.	Part Name	Model & No.Req'd				R / P	E / E	Remarks
			K4C	K4D	K4E	K4F			
1~15	MM407671	ALTERNATOR ASSY (12V-15A) : M	1	1	•	•		For 61AG, JC	
1	MM502340	NUT SET	1	1	•	•			
2	MM502355	PULLEY ASSY	1	1	•	•			
3	MM502349	SCREW SET	1	1	•	•			
4	MM502354	BRACKET ASSY, front	1	1	•	•			
5	MD602938	SCREW SET	1	1	•	•			
6	MM502264	BEARING	1	1	•	•			
7	MD607207	ROTOR ASSY	1	1	•	•			
8	MD602789	BEARING	1	1	•	•			
9	MM502350	STATOR	1	1	•	•			
10	MM502351	BRACKET ASSY, rear	1	1	•	•			
11	MD607176	NUT SET	1	1	•	•			
12	MM502353	HOLDER ASSY, brush	1	1	•	•			
13	MD602783	BRUSH	2	2	•	•			
14	MD602227	SPRING, brush	2	2	•	•			
15	MM502352	RECTIFIER ASSY	1	1	•	•			

FIG. No. 7-03D



## 7-03D ALTERNATOR (35A)

FIG. No. 7-03D

7 ELECTRICAL SYSTEM

Key No.	Part No.	Part Name	Model & No. Req'd				R / P	E / E	Remarks
			K4C	K4D	K4E	K4F			
1~17	MM409651	ALTERNATOR ASSY (12V-35A) : M	1	1	1	•		For 61PA,SM,WH	
	MM409651	ALTERNATOR ASSY (12V-35A) : M	•	①	•	•	A97	For 61DA,62DA	
1	MM502340	NUT SET	1	1	1	•		For 61PA,SM,WH	
	MM502340	NUT SET	•	①	•	•	A97	For 61DA,62DA	
2	MD607800	PULLEY ASSY	1	1	1	•		For 61PA,SM,WH	
	MD607800	PULLEY ASSY	•	①	•	•	A97	For 61DA,62DA	
3	MM502349	SCREW SET	1	1	1	•		For 61PA,SM,WH	
	MM502349	SCREW SET	•	①	•	•	A97	For 61DA,62DA	
4	MM502424	BRACKET ASSY, front	1	1	1	•		For 61PA,SM,WH	
	MM502424	BRACKET ASSY, front	•	①	•	•	A97	For 61DA,62DA	
5	MD602938	SCREW SET	1	1	1	•		For 61PA,SM,WH	
	MD602938	SCREW SET	•	①	•	•	A97	For 61DA,62DA	
6	MD602859	BEARING, front	1	1	1	•		For 61PA,SM,WH	
	MD602859	BEARING, front	•	①	•	•	A97	For 61DA,62DA	
7	MM502298	ROTOR ASSY	1	1	1	•		For 61PA,SM,WH	
	MM502298	ROTOR ASSY	•	①	•	•	A97	For 61DA,62DA	
8	MD602789	BEARING, rear	1	1	1	•		For 61PA,SM,WH	
	MD602789	BEARING, rear	•	①	•	•	A97	For 61DA,62DA	
9	MD607795	STATOR	1	1	1	•		For 61PA,SM,WH	
	MD607795	STATOR	•	①	•	•	A97	For 61DA,62DA	
10	MD607796	BRACKET ASSY, rear	1	1	1	•		For 61PA,SM,WH	
	MD607796	BRACKET ASSY, rear	•	①	•	•	A97	For 61DA,62DA	
11	MD607798	TERMINAL SET	1	1	1	•		For 61PA,SM,WH	

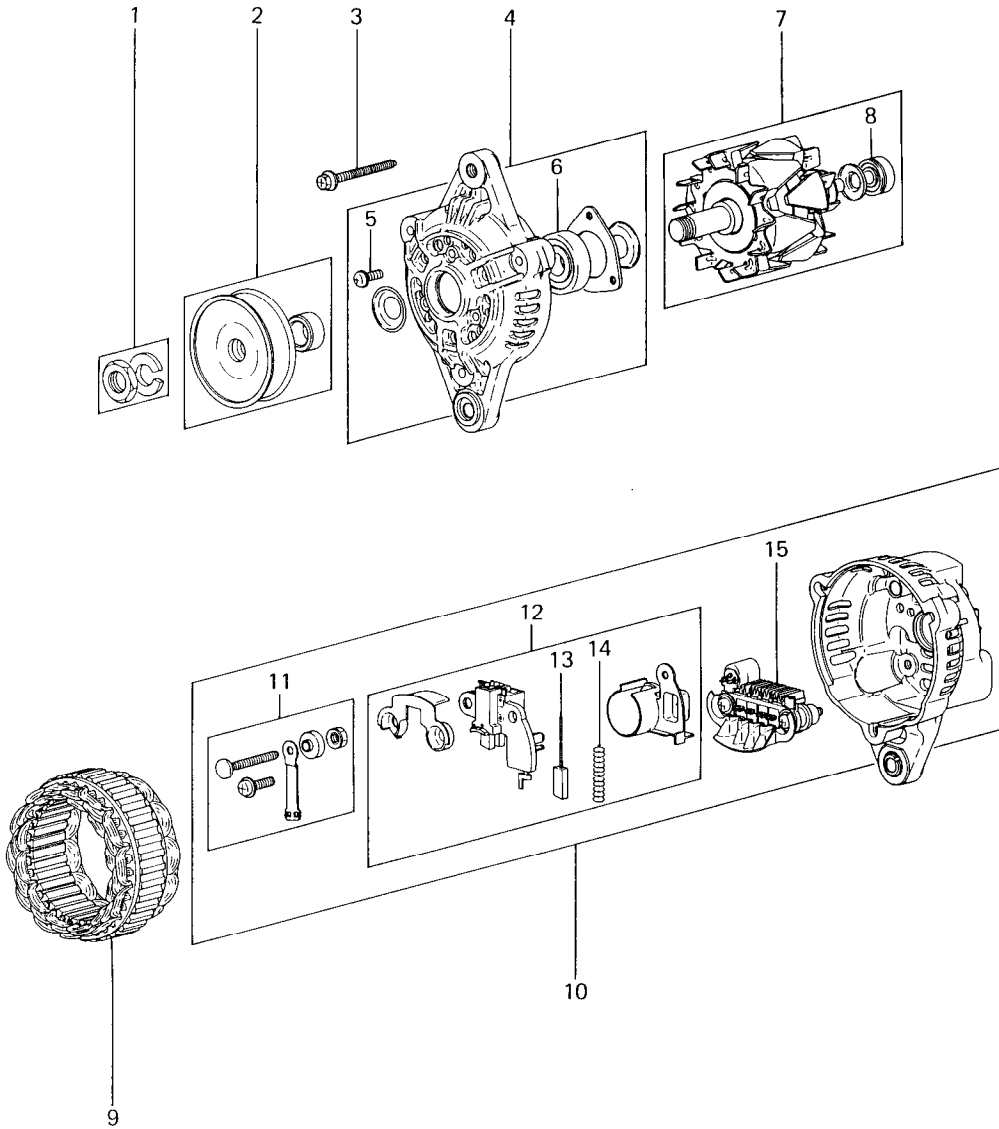
## 7-03D ALTERNATOR (35A)

FIG. No. 7-03D

7 ELECTRICAL SYSTEM

Key No.	Part No.	Part Name	Model & No. Req'd				R / P	E / E	Remarks
			K4C	K4D	K4E	K4F			
	MD607798	TERMINAL SET	•	①	•	•	A97	For 61DA,62DA	
12	MD607797	REGULATOR ASSY	1	1	1	•		For 61PA,SM,WH	
	MD607797	REGULATOR ASSY	•	①	•	•	A97	For 61DA,62DA	
13	MD607373	BRUSH	2	2	2	•		For 61PA,SM,WH	
	MD607373	BRUSH	•	②	•	•	A97	For 61DA,62DA	
14	MD602227	SPRING, brush	2	2	2	•		For 61PA,SM,WH	
	MD602227	SPRING, brush	•	②	•	•	A97	For 61DA,62DA	
15	MD607799	REGULATOR ASSY	1	1	1	•		For 61PA,SM,WH	
	MD607799	REGULATOR ASSY	•	①	•	•	A97	For 61DA,62DA	
16	MD602798	CONDENSER ASSY	1	1	1	•		For 61PA,SM,WH	
	MD602798	CONDENSER ASSY	•	①	•	•	A97	For 61DA,62DA	
17	MD602675	BOLT, with washer (5X10)	1	1	1	•		For 61PA,SM,WH	
	MD602675	BOLT, with washer (5X10)	•	①	•	•	A97	For 61DA,62DA	

FIG. No. 7-03E



## 7-03E ALTERNATOR (40A)

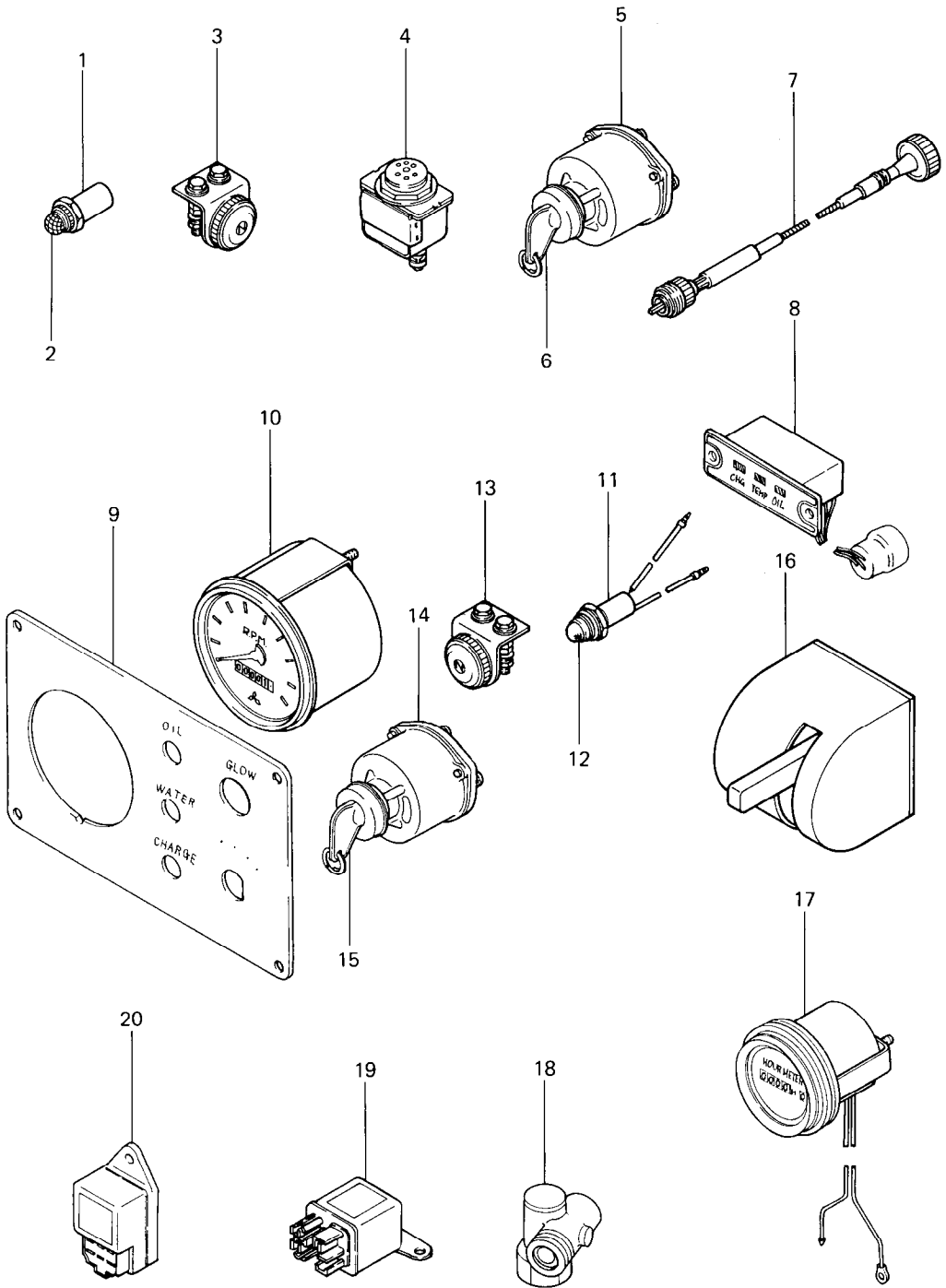
FIG. No. 7-03E

7 ELECTRICAL SYSTEM

Key No.	Part No.	Part Name	Model & No.Req'd				R / P	E / E	Remarks
			K4C	K4D	K4E	K4F			
1~15	MM435081	ALTERNATOR ASSY (12V-40A) : M	•	1	•	•		For 61FT,ST	
	MM432804	ALTERNATOR ASSY (12V-40A) : M	•	•	1	•		For 61TC	
	MM435752	ALTERNATOR ASSY (12V-40A) : M	•	1	1	1		For 61DA,SDG,62DA, SDG,D61A,D62DA	
1	MM502340	NUT SET	•	1	1	1		For 61DA,FT,SDG,ST, TC,62DA,SDG,D61A, D62DA	
2	MM502508	PULLEY SET	•	1	1	1		For 61DA,FT,SDG,ST, TC,62DA,SDG,D61A, D62DA	
3	MD607963	BOLT SET	•	1	1	1		For 61DA,FT,SDG,ST, TC,62DA,SDG,D61A, D62DA	
4	MM502504	BRACKET ASSY, front	•	1	1	1		For 61DA,FT,SDG,ST, TC,62DA,SDG,D61A, D62DA	
5	MD611034	SCREW SET	•	1	1	1		For 61DA,FT,SDG,ST, TC,62DA,SDG,D61A, D62DA	
6	MD611033	BEARING, front	•	1	1	1		For 61DA,FT,SDG,ST, TC,62DA,SDG,D61A, D62DA	
7	MM502505	ROTOR ASSY	•	1	1	1		For 61DA,FT,SDG,ST, TC,62DA,SDG,D61A, D62DA	
8	MD611150	BEARING, rear	•	1	1	1		For 61DA,FT,SDG,ST, TC,62DA,SDG,D61A, D62DA	
9	MM502506	STATOR ASSY	•	1	1	1		For 61DA,FT,SDG,ST, TC,62DA,SDG,D61A, D62DA	
10	MM502525	BRACKET ASSY, rear	•	1	•	•		For 61FT,ST	
	MM502509	BRACKET ASSY, rear	•	•	1	•		For 61TC	
	MM502533	BRACKET ASSY, rear	•	•	1	•		For 61DA,SDG,62DA,SDG, D61A,D62DA	
11	MD607829	TERMINAL SET	•	1	1	1		For 61DA,FT,SDG,ST, TC,62DA,SDG,D61A, D62DA	
12	MD611032	REGULATOR ASSY	•	1	1	•		For 61FT,ST,TC	
	MM502532	REGULATOR ASSY	•	1	1	1		For 61DA,SDG,62DA,SDG, D61A,D62DA	
13	MD611035	BRUSH	•	1	1	1		For 61DA,FT,SDG,ST, TC,62DA,SDG,D61A, D62DA	
14	MD602227	SPRING, brush	•	1	1	1		For 61DA,FT,SDG,ST, TC,62DA,SDG,D61A, D62DA	
15	MM502507	RECTIFIER ASSY	•	1	1	1		For 61DA,FT,SDG,ST, TC,62DA,SDG,D61A, D62DA	



FIG. No. 8-01



## 8-01 INSTRUMENT PARTS

FIG. No. 8-01

8 INSTRUMENT PARTS

Key No.	Part No.	Part Name	Model & No. Req'd				R / P	E / E	Remarks
			K4C	K4D	K4E	K4F			
1, 2	MM201102	LAMP, pilot (charge : red)	1	1	1	•		For 61EM,ES,SA,SM,TC	
	MM201103	LAMP, pilot (press : yellow)	1	1	1	•		For 61EM,ES,SA,SM,TC	
	MM201104	LAMP, pilot (water temp : blue)	1	1	1	•		For 61ES,SA (61TC : 2pcs.)	
2	MM201106	BULB (12V 3.4W T-10)	1	1	1	•		For 61EM,SA,SM,TC (61EM : 2pcs.)	
3	JP9117610	LAMP, glow (DH-124-41)	1	1	1	•		For 61A,AG,JC,KL,SA, SC,SS,TC,TM	
3	JP9117610	LAMP, glow (DH-124-41)	•	①	①	•	A97	For 61DA,62DA	
	JP9117610	LAMP, glow (DH-124-41)	①	•	•	•		For 61DA,WH,62DA	
4	MM409512	LAMP, glow (DH-136V-39)	1	1	1	1	#	For 61DA,EM,FT,MS, ST,WH,62DA,D61A, D62DA	
5, 6	JP0109950	SWITCH, starting	1	1	1	•		For 61AG,SA,TC	
	JP0109950	SWITCH, starting	①	•	①	•	A93	For 61WH	
6	JP0109940	KEY ASSY	1	1	1	•		For 61AG,SA,TC	
	JP0109940	KEY ASSY	①	•	①	•	A93	For 61WH	
7	JP0301100	WIRE UNIT, tachometer (1.0M)	•	1	•	•		For 61PA	
8	MM201175	BOX ASSY, pilot lamp	①	•	①	•	A93	For 61WH	
9~15	MM413939	PANEL ASSY, instrument	•	1	•	•		For 61PA	
9	MM413940	PANEL, instrument	•	1	•	•			
10	JP0100260	TACHOMETER (with H/M)	•	1	•	•			
11, 12	MM201122	LAMP, pilot (charge : red)	•	1	•	•			
	MM201123	LAMP, pilot (press : yellow)	•	1	•	•			
	MM201124	LAMP, pilot (water temp : blue)	•	1	•	•			
12	MM201106	BULB (12V 3.4W T-10)	•	1	•	•			
13	JP9117610	LAMP, glow (DH-124-41)	•	1	•	•			
14, 15	JP0109950	SWITCH, starting	•	1	•	•			

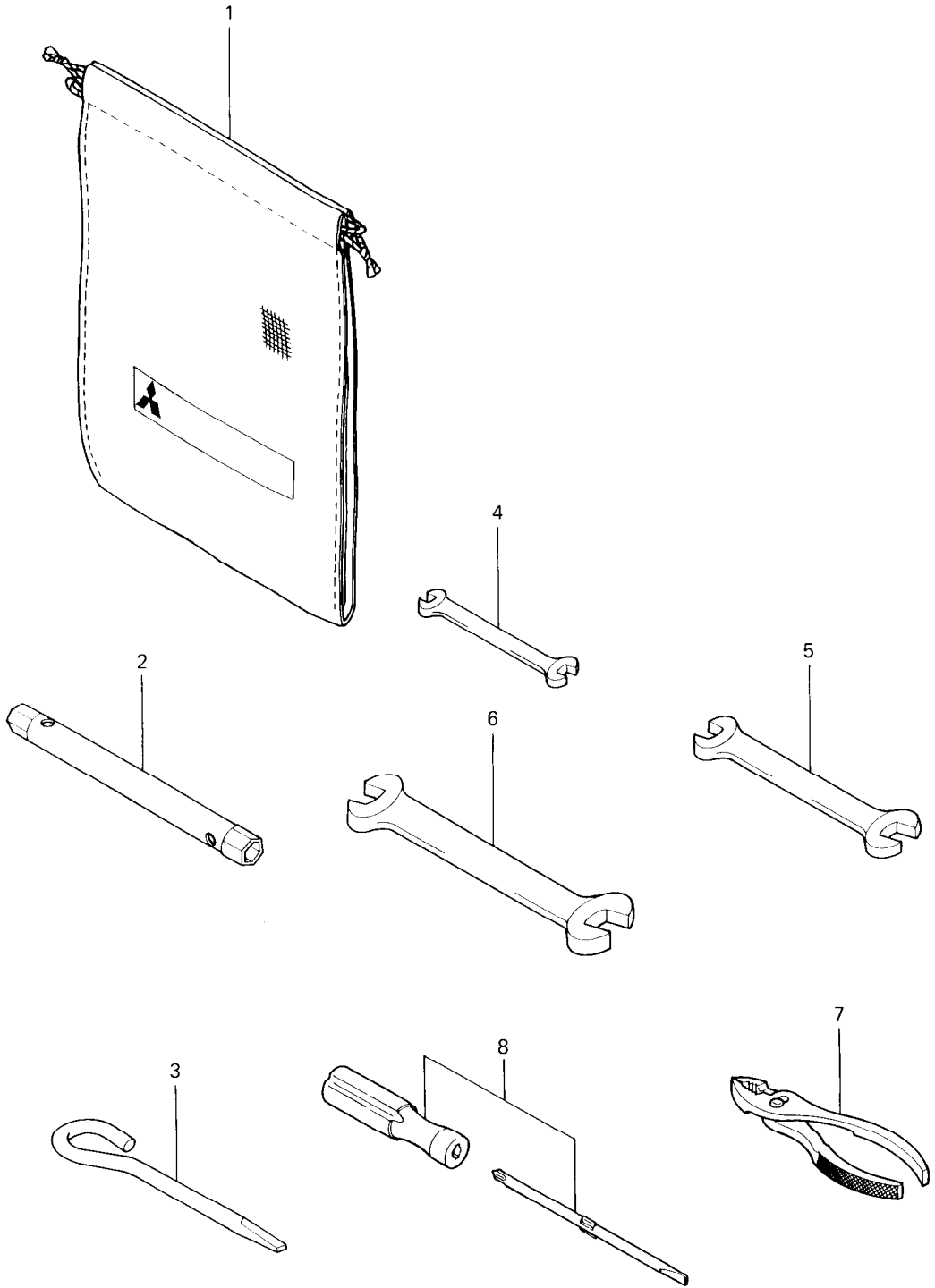
8-01 INSTRUMENT PARTS

FIG. No. 8-01

8 INSTRUMENT PARTS

Key No.	Part No.	Part Name	Model & No. Req'd				R / P	E / E	Remarks
			K4C	K4D	K4E	K4F			
15	JP0109940	KEY ASSY	•	1	•	•			
16	JP0559850	SWITCH, main	•	•	1	•		For 61TC	
17	MM201112	HOURMETER	•	•	1	•		For 61TC	
18	0520901100	L-JOINT	•	1	•	•		For 61FT	
19	MM431282	RELAY, glow	•	•	1	•		For 61ES	
20	MM431762	TIMER, glow	•	•	1	•		For 61ES	

FIG. No. 9-01



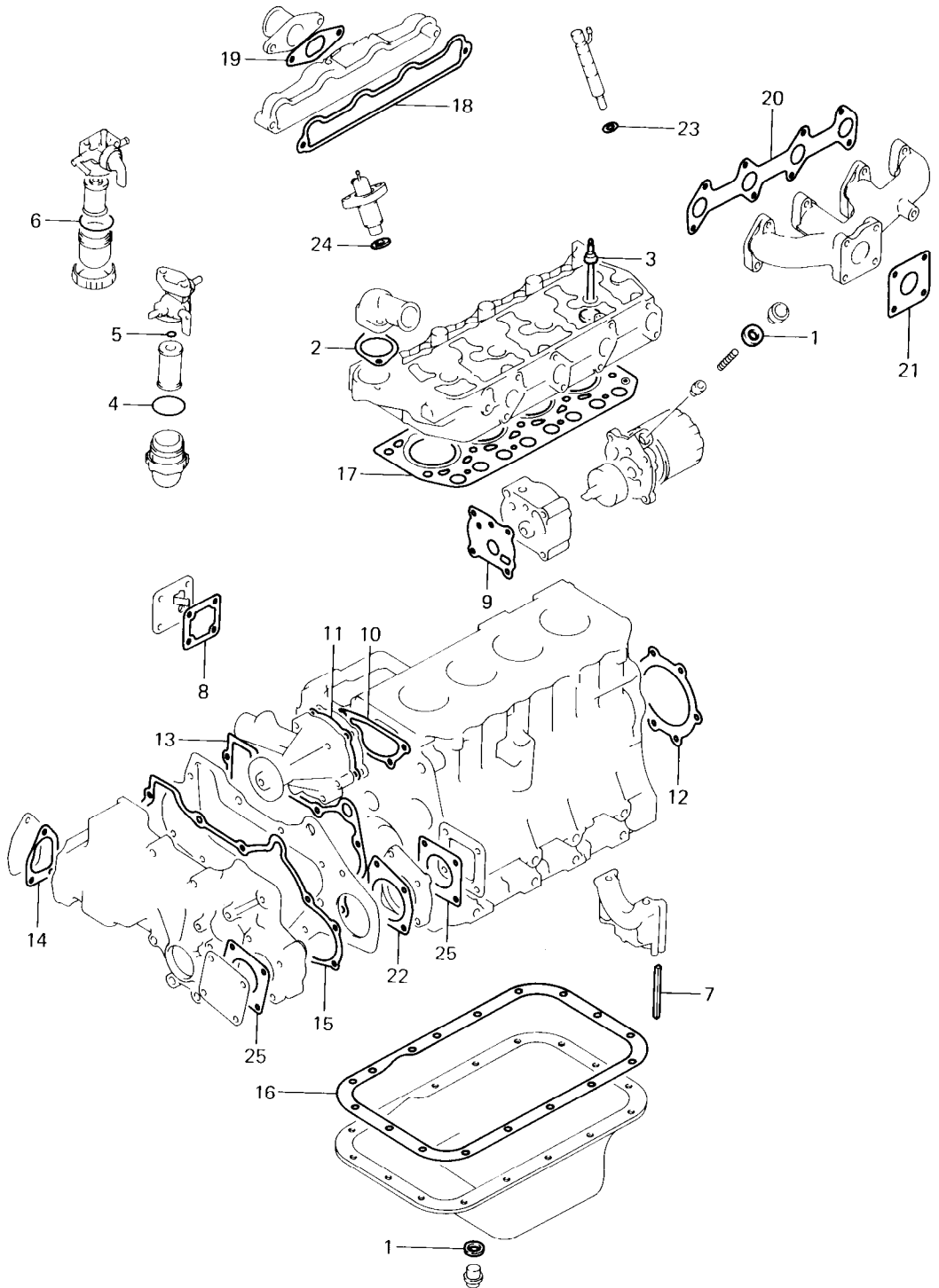
9-01 TOOL (For 61AG, PA)

FIG. No. 9-01

9 TOOL

Key No.	Part No.	Part Name	Model & No. Req'd				R / P	E / E	Remarks
			K4C	K4D	K4E	K4F			
1~7	MM413903	TOOL SET	•	1	•	•		For 61AG	
1~8	MM431350	TOOL SET	•	1	•	•		For 61PA (Exc. Key No. 3, 7)	
1	MM300816	BAG, tool	•	1	•	•		For 61AG	
	MM431351	BAG, tool	•	1	•	•		For 61PA	
2	K7290130	WRENCH, socket (12×14)	•	1	•	•		For 61AG, PA	
3	MM300110	DRIVER, screw	•	1	•	•		For 61AG	
4	MK96008010	SPANNER, double head (8×10)	•	1	•	•		For 61AG	
	MK96010013	SPANNER, double head (10×13)	•	1	•	•		For 61PA	
5	MK96012014	SPANNER, double head (12×14)	•	1	•	•		For 61AG, PA	
6	MK96017019	SPANNER, double head (17×19)	•	1	•	•		For 61AG, PA	
7	MF790801	PLIER (150)	•	1	•	•		For 61AG	
8	MM300564	DRIVER, screw (+ & -)	•	1	•	•		For 61PA	

FIG. No. 10-01



## 10-01 REPAIR GASKET KIT

FIG. No. 10-01

10 REPAIR GASKET KIT

Key No.	Part No.	Part Name	Model & No.Req'd				R / P	E / E	Remarks
			K4C	K4D	K4E	K4F			
1~25	MM433996	GASKET KIT	1	•	•	•		A67	
	MM433998	GASKET KIT	•	1	•	•		A67	
	MM433999	GASKET KIT	•	•	1	•		A67	
	MM435245	GASKET KIT	•	•	•	1			For D61A,D62DA
	MM437649	GASKET KIT	•	•	•	1			For 61WM,62WM
1	MD000312	GASKET, oil drain plug	2	2	2	2			
2	MD000551	GASKET	2	2	2	2			
	MM432805	GASKET	•	•	•	1			
3	MD016490	SEAL, valve stem	8	8	8	8			
4	MM404878	O-RING, filter cup	1	1	1	1			
5	MM404881	O-RING, element	1	1	1	1			
6	MM409869	O-RING, filter cup	•	1	1	1			
7	MM406228	SEAL, side	4	4	4	4			
8	MM409151	GASKET, cover	1	1	1	1			
9	MM407124	GASKET, oil pump body	1	1	1	1			
10	MM407422	GASKET, water pump	1	2	2	2			
11	MM409326	GASKET, water pump	1	1	1	1			
12	MM408205	GASKET, oil seal	1	1	1	1			
13	MM408226	GASKET, front plate	1	1	1	1			
14	MM408234	GASKET, governor cover	•	1	1	1			
15	MM408235	GASKET, gear case	1	1	1	1			
16	MM408322	GASKET, oil pan	1	•	•	1			
	MM408291	GASKET, oil pan	•	1	1	1			Exc.K4F-61WM,62WM

10-01 REPAIR GASKET KIT

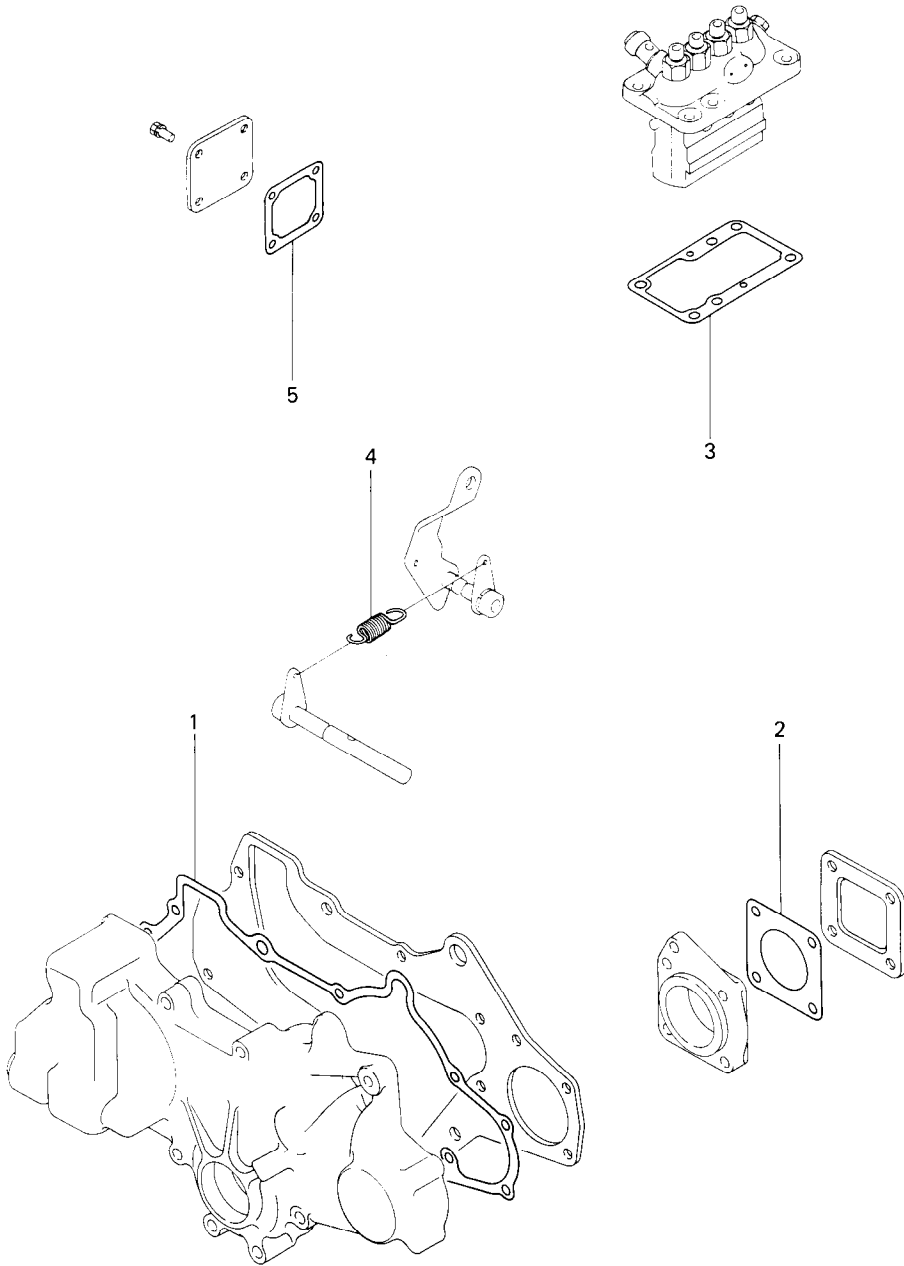
FIG. No. 10-01

10 REPAIR GASKET KIT

Key No.	Part No.	Part Name	Model & No. Req'd				R / P	E / E	Remarks
			K4C	K4D	K4E	K4F			
17	MM408456	GASKET, cylinder head	1	•	•	•			
	MM408448	GASKET, cylinder head	•	1	•	•			
	MM408457	GASKET, cylinder head	•	•	①	•			
	MM436600	GASKET, cylinder head	•	•	1	•	O		
	MM436658	GASKET, cylinder head	•	•	•	1		For 61WM,62WM	
	MM437314	GASKET, cylinder head	•	•	•	1		For D61A,D62DA	
18	MM408552	GASKET, intake manifold	1	1	1	1			
19	MM408566	GASKET, inlet pipe	1	1	1	1			
20	MM408577	GASKET, exhaust manifold	1	1	1	1			
21	MM408581	GASKET	1	1	1	1			
22	MM409235	GASKET, housing	1	1	1	1			
23	MM432045	GASKET, nozzle	•	•	4	4		Exc.61WM,62WM	
24	K6515430	GASKET, nozzle holder	4	4	4	4		Exc.D61A,D62DA	
25	MM401206	GASKET, oil pump cover	1	2	2	2			



FIG. No. 11-01



11-01 RECONSTRUCTION PARTS

FIG. No. 11-01

11 OPTIONAL PARTS

Key No.	Part No.	Part Name	Model & No. Req'd				R / P	E / E	Remarks
			K4C	K4D	K4E	K4F			
1	MM408236	GASKET, gear case	•	①	•	•			For Generator Set For 61WM
	MM408235	GASKET, gear case	•	①	•	•	O	A73	For Generator Set For 61WM
2	MM401206	GASKET, oil pump cover	•	1	•	•			For Generator Set For 61WM,62WM
3	MM409033	SHIM, adjusting (0.4t)	•	①	•	•		A73	For Generator Set For 61WM
4	MM405011	SPRING, governor	•	①	•	•			For Generator Set For 61WM
	MM409148	SPRING, governor	•	①	•	•	X	A73	For Generator Set For 61WM
5	MM409151	GASKET, tie rod cover	•	①	•	•		A73	For Generator Set For 61WM

### EFFECTIVE ENGINE No.

Mark	Engine Model	Engine No.	Remarks
A1	K4C	13342~	
A2	K4C K4D	12649~ 2272~	
A3	K4D-61WM	1944~	
A4	K4C	12694~	
A5	K4D	1849~	
A6	K4C	12649~	
A7	K4D	(82/3~)	
A8	K4C-61SS	12599~	
A9	K4C-61SS	~12598	
A10	K4C	11754~	
A11	K4D	1944~	
A12	K4C	~12648	
A13	K4C	12599~	
A14	K4C	~12503	
A15	K4C	12504~	
A16	K4D	1594~	
A17	K4C K4D	12584~ 2206~	
A18	K4C-61SS	12375~	
A19	K4C-61SS	~12374	
A20	K4C-61SS	(81/3)	
A21	K4D-61WM	1904~	
A22	K4D-61WM	~ 1903	
A23	K4C-61WH	13566~	
A24	K4C K4D	13791~ 8580~	
A25	K4C	E/#~	
A26	K4C K4D	14435~ 13400~	
A27	K4C K4D K4E	13980~ 9947~ 3906~	
A28	K4D	13400~	
A29	K4C K4D	13791~ 8925~	
A30	K4D	9947~	
A31	K4C K4D	14077~ 10027~	
A32	K4C K4D	14371~ 12765~	

### EFFECTIVE ENGINE No.

Mark	Engine Model	Engine No.	Remarks
A33	K4C	13791~	
	K4D	8925~	
A34	K4C	14550~	
A35	K4C	14281~	
A36	K4E-61DM	10194~	FY5098                      K,KE-86-17
A37	K4C	15780~	
	K4D	18276~	
	K4E	8431~	EY4051
A38	K4C ↓	16183~	
	K4D } 61SA	20725~	
	K4E ↓	9430~	FY5087                      K,KE-86-12
A39	K4C	15913~	
	K4D	19264~	
	K4E	8941~	FY5023
A40	K4C ↓	15031~	
	K4D } 61SA	16454~	
	K4E ↓	6956~	EY5091
A41	K4C	15076~	
	K4D	16665~	
	K4E	7185~	EY5106
A42	K4C	17096~	
	K4D	21805~	GY5060
	K4E	11552~	GY5175                      K,KE-86-030
A43	K4D	18837~	EY5277                      K,KE-85-04
A44	K4E	8796~	EY5270                      K,KE-85-03
A45	K4E	10357~	FY5204                      K,KE-86-08
A46	K4C	15864~	FY5276                      K,KE-85-05
A47	K4D	15549~	A53887
A48	K4C	14868~	
	K4D	15183~	
	K4E	5773~	A22270
A49	K4E-61WH	9430~	FY5104
A50	K4E-61DM	5578~	EY5002
A51	K4E-61DM	12965~	GY5213
A52	K4E-61DM	6959~	EY5072
A53	K4C	16781~	
	K4D	22145~	
	K4E	12907~	GY5128                      K,KE-86-038
A54	K4C	17368~	
	K4D	21871~	
	K4E	11928~	GY5124                      K,KE-86-043

**EFFECTIVE ENGINE No.**

Mark	Engine Model	Engine No.	Remarks
A55	K4C	15987	FY5028
	K4D	19569	
	K4E	9051	
A56	K4C	16811	GY5013                      K,KE-86-028
	K4D	21285	
	K4E	10788	
A57	K4C	16651~	FY5221
	K4D	20978~	
	K4E	10586~	
A58	K4C	17400~	GY5243
	K4D	22191~	
	K4E	13290~	
A59	K4C	16066~	FY5035                      K,KE-86-03
	K4D	19623~	
	K4E	9074~	
A60	K4C	16781~	FY5180                      K,KE-86-023
	K4D	21050~	
	K4E	10659~	
A61	K4C } -61WH K4E }	15101~	EY5117
		7198~	
A62	K4E-61WH	13290~	GY5714                      K,KE-86-045
A63	K4E-61WH	9430~	FY5096
A64	K4C } -61WH K4E }	15626~	EY5217
		7846~	
A65	K4C	17095~	GY5083
	K4D	21803~	
	K4E	11522~	
A66	K4C	17400~	GY5272
	K4D	22191~	
	K4E	9074~	
A67	K4C	16579~	FY5174                      K,KE-85-14
	K4D	20839~	
	K4E	10194~	
A68	K4D-61WM	16755~	EY4021
A69	K4C-61WH	16482~	FY5140                      K,KE-86-021
A70	K4D-61SM } SS }	22191~	GY5238
A71	K4D-61WM	23969~	HY5318
A72	K4D-61DA } 62DA }	23247~	

**EFFECTIVE ENGINE No.**

Mark	Engine Model	Engine No.	Remarks
A72	K4E-61DA } 62DA }	16263~	HY5139
A73	K4D-61WM	23270~	HY5174 K,KE-87-033
A74	K4D-61WM 62WM	23503~	HY5277
A75	K4C K4D K4E K4F	18260~ 24652~ 19793~ 4721~	JY5071
A76	K4C-61A K4D-61A K4E-61A	17936~ E/#~ 16334~	HY5081 K,KE-87-032
A77	K4D-61WM	22399~	GY5305 K,KE-87-015
A78	K4D	23329~	HY5098 K,KE-88-008
A79	K4C K4D K4E K4F	18175 24223 18912 4436	JY5043
A80	K4C K4D K4E	17974~ 23503~ 17080~	HY5196 K,KE-87-034
A81	K4C K4D K4E	18195~ 24472~ 19220~	JY5059
A82	K4C K4D K4E	~18100 ~24097 ~18405	JY5036
A83	K4E-61DM	14101~	GY5296 K,KE-87-009
A84	K4C K4D K4E	17460~ 22089~ 12867~	GY5229 GY5311 K,KE-87-004
A85	K4C K4D K4E	~18000 ~23804 ~17570	HY5340
A86	K4C K4D K4E	18195~ 24472~ 19220~	JY5087
A87	K4C K4D K4E	17855~ 23306~ 16433~	HY5122
A89	K4D-61WM	22656~	HY5007 K,KE-87-019

### EFFECTIVE ENGINE No.

Mark	Engine Model	Engine No.	Remarks	
A90	K4C	17830~	HY5091	K,KE-87-030
	K4E	16263~		
A91	K4E-61SM	13850	GY5283	K,KE-87-008
A92	K4D-61DA } 62DA }	23503~	HY5255	
	K4E-61DA } 62DA }	17570~		
A93	K4C-61WH	17573~	HY5030	K,KE-87-022
A93	K4C-61WH	~17460	GY5304	K,KE-87-014
	K4E-61WH	~14054		
A94	K4C	17722~	HY5089	K,KE-87-029
	K4D	22999~		
	K4E	15784~		
A95	K4C	17945~	HY5125	
A96	K4C-61A	~17935	HY5081	K,KE-87-032
	K4D-61A	~E/#		
	K4D-61WM	~23269		
A97	K4D-61,62DA	~23246	HY5139	
	K4E-61,62DA	~16262		
A98	K4D-61,62WM	~23502	HY5277	
A99	K4D-61WM	~22398	GY5305	
B1	K4D-61WM	~22655	HY5007	K,KE-87-019
B2	K4C-61WM	~17572	HY5030	K,KE-87-022

## PART No. INDEX

Part No.	Part Name	Fig. No.	Page-Key No.
JP0100260	TACHOMETER (with H/M)	8-01	111-10
JP0109940	KEY ASSY	8-01	111- 6
JP0109940	KEY ASSY	8-01	111- 6
JP0109940	KEY ASSY	8-01	112-15
JP0109950	SWITCH, starting	8-01	111-14, 15
JP0109950	SWITCH, starting	8-01	111-5, 6
JP0109950	SWITCH, starting	8-01	111-5, 6
JP0301100	WIRE UNIT, tachometer (1.0M)	8-01	111- 7
JP0559850	SWITCH, main	8-01	112-16
JP9117610	LAMP, glow (DH-124-41)	8-01	111- 3
JP9117610	LAMP, glow (DH-124-41)	8-01	111- 3
JP9117610	LAMP, glow (DH-124-41)	8-01	111- 3
JP9117610	LAMP, glow (DH-124-41)	8-01	111-13
JP9119290	BAND ASSY	6-01	77- 8
JP9417170	CONNECTOR, 4 poles female	7-01	87-26
JP9417180	CONNECTOR, 6 poles male	7-01	87-27
K6515430	GASKET, nozzle holder	2-01	32- 7
K6515430	GASKET, nozzle holder	10-01	118-24
K6516441	THERMOSTAT (76.5)	5-01	71-20
K7231220	SCREW, adjusting	1-05	28-28
K7290130	WRENCH, socket (12X14)	9-01	115- 2
K7631160	BEARING, ball	1-05	27- 2
K7631160	BEARING, ball	1-05	27- 3
K7631161	BEARING, ball	1-05	27- 2
K7643431	CUP ASSY, filter	2-04	53- 7
K7643461	ELEMENT	2-04	53- 6
K7643470	O-RING	2-04	53- 5
K7644660	WASHER, plain (6)	6-01	78-14
K7644671	NUT, wing	6-01	77-12
K7831160	BEARING, ball	1-05	27- 3
K7910451	COVER, oil pump	1-02	12-16
K7913410	PIN, dowel	4-01	63- 4
K8221251	CLIP, piston pin	1-04	22- 3
K8459101	MUFFLER ASSY	6-02	82-26~30
K8712630	PIN, grooved	3-01	59-22
K8712630	PIN, grooved	3-01	59-22
K8712630	PIN, grooved	3-01	59-22
K9413390	OIL SEAL (35X50X8)	1-02	11- 8
K9442113	FILTER ASSY, fuel	2-04	53-1~8
K9442113	FILTER ASSY, fuel	2-01	34-21A
K9443420	BODY, filter	2-04	53- 3
K9443440	RING, retainer	2-04	53- 8
K9443500	SCREW, air vent	2-04	53- 1
K9644171	PIPE	6-02	81- 2
K9644171	PIPE	6-02	81- 2
K9644171	PIPE	6-02	81- 5
K9644171	PIPE	6-02	81- 5
K9644171	PIPE	1-03	17-19
K9652011	SPRING, governor	3-01	59-23
K9665400	FILTER ASSY, oil	4-01	65-26
K9670260	WIRE, glow plug read	7-01	88-30



## PART No. INDEX

Part No.	Part Name	Fig. No.	Page-Key No.
K9670260	WIRE, glow plug read	7-01	88-30
K9674051	PULLEY, water pump	5-01	69- 2
K9674051	PULLEY, water pump	5-01	69- 2
MA143756	PACKING	5-02	73- 3
MA152440	CLAMP	6-02	82-27
MB084010	CONNECTOR, 6 poles female	7-01	87-28
MB084014	CONNECTOR, 2 poles female	7-01	87-23
MD000268	PIN, dowel	1-01	3- 1
MD000268	PIN, dowel	4-01	63- 4
MD000269	PLUG, taper (NPTF 1/4)	1-01	5-26
MD000312	GASKET, oil drain plug	10-01	117- 1
MD000312	GASKET, oil drain plug (18)	1-02	11- 2
MD000312	GASKET, oil drain plug (18)	4-01	63- 3
MD000312	GASKET, oil drain plug (18)	4-01	66-35
MD000318	PLUG, oil drain	1-02	11- 3
MD000425	WASHER	1-05	27- 7
MD000425	WASHER	7-01	86-12
MD000522	WASHER	1-03	16-16
MD000523	OIL SEAL	1-03	17-17
MD000551	GASKET	10-01	117- 2
MD000551	GASKET, outlet fitting	5-01	70-17
MD000551	GASKET, outlet fitting	5-01	70-17
MD000551	GASKET, outlet fitting	5-01	70-17
MD000569	NUT (8)	6-02	82-18
MD000612	GEAR, ring	1-04	25-20
MD000704	NUT, con rod	1-04	23- 5
MD000704	BOLT, con rod	1-04	23- 6
MD000963	SPRING, rocker shaft	1-05	28-23
MD001370	THERMOSTAT (82)	5-01	71-20
MD001402	PLUNGER, relief	4-01	63- 1
MD001404	PLUG	4-01	63- 2
MD001482	SWITCH ASSY, oil pressure (P25)	4-01	65-30
MD001515	BOLT (8×82)	7-01	86-11A
MD001517	SHIM	7-01	85- 6
MD001521	WASHER	7-01	86-12
MD001821	REGULATOR ASSY	7-01	88-32
MD002613	BEARING, ball	1-04	25-21
MD002613	BEARING, ball	1-04	25-21
MD002620	BOLT, flywheel	1-04	25-16
MD003330	FAN, cooling (φ 325×6 : S)	5-01	69- 1
MD003581	THERMOSTAT (71)	5-01	71-20
MD007528	BELT, fan (HM : L=932)	5-01	71-25
MD007528	BELT, fan (HM : L=932)	5-01	71-25
MD008762	OIL SEAL (35×50×8)	1-02	11- 8
MD008771	FITTING, water outlet	5-01	70-16
MD008771	FITTING, water outlet	5-01	70-16
MD008784	CAP, oil filler	1-03	15- 1
MD009014	FAN, cooling (φ 340×5 : S)	5-01	69-1A
MD013661	FILTER ASSY, oil	4-01	65-26
MD014236	WASHER, special spring (12)	1-04	25-17
MD016482	RETAINER, valve spring	1-05	28-14

## PART No. INDEX

Part No.	Part Name	Fig. No.	Page-Key No.
MD016483	LOCK, valve spring retainer	1-05	28-15
MD016490	SEAL, valve stem	10-01	117- 3
MD016490	SEAL, valve stem	1-05	28-16
MD017440	FILTER ASSY, oil	4-01	65-26
MD017625	BOLT, special (8×85)	7-01	86-11
MD017625	BOLT, special (8×85)	7-01	86-11
MD017645	ALTERNATOR ASSY (12V-35A) : M	7-01	85- 9
MD017645	ALTERNATOR ASSY (12V-35A) : M	7-01	85- 9
MD017645	ALTERNATOR ASSY (12V-35A) : M	7-03A	99-1~17
MD020733	WASHER, cylinder head bolt	1-03	15- 3
MD021662	BOLT (8×92)	7-01	86-11
MD024812	GEAR, ring	1-04	25-20
MD025280	PUMP ASSY, electric fuel	2-01	35-31
MD030790	PLUNGER, relief	4-01	63- 1
MD031805	FILTER ASSY, oil	4-01	65-26
MD087992	BELT, fan (HM : L=940)	5-01	71-25
MD602210	SPRING, brush	7-02A	93-21
MD602210	SPRING, brush	7-02A	93-21
MD602227	SPRING, brush	7-03C	103-14
MD602227	SPRING, brush	7-03D	106-14
MD602227	SPRING, brush	7-03D	106-14
MD602227	SPRING, brush	7-03E	109-14
MD602227	SPRING, brush	7-03B	101-15
MD602227	SPRING, brush	7-03A	99-16
MD602264	BEARING, front	7-03A	99- 6
MD602675	BOLT, with washer (5×10)	7-03D	106-17
MD602675	BOLT, with washer (5×10)	7-03D	106-17
MD602783	BRUSH	7-03C	103-13
MD602783	BRUSH	7-03A	99-15
MD602789	BEARING, rear	7-03B	101- 8
MD602789	BEARING	7-03C	103- 8
MD602789	BEARING, rear	7-03D	105- 8
MD602789	BEARING, rear	7-03D	105- 8
MD602789	BEARING, rear	7-03A	99- 8
MD602797	HOLDER ASSY, brush	7-03A	99-14
MD602798	CONDENSER ASSY	7-03D	106-16
MD602798	CONDENSER ASSY	7-03D	106-16
MD602826	MOLD	7-03A	99-13
MD602859	BEARING, front	7-03D	105- 6
MD602859	BEARING, front	7-03D	105- 6
MD602938	SCREW SET	7-03B	101- 5
MD602938	SCREW SET	7-03C	103- 5
MD602938	SCREW SET	7-03D	105- 5
MD602938	SCREW SET	7-03D	105- 5
MD602938	SCREW SET	7-03A	99- 5
MD602963	SPRING SET	7-02A	91- 4
MD602963	SPRING SET	7-02A	91- 4
MD607170	PULLEY ASSY	7-03A	99- 2
MD607176	NUT SET	7-03C	103-11
MD607176	NUT SET	7-03A	99-11
MD607207	ROTOR ASSY	7-03C	103- 7

## PART No. INDEX

Part No.	Part Name	Fig. No.	Page-Key No.
MD607212	SCREW SET	7-03B	101- 3
MD607212	SCREW SET	7-03A	99- 3
MD607258	PULLEY ASSY	7-03B	101- 2
MD607262	CONDENSER ASSY	7-03B	101-12
MD607267	BRACKET ASSY, front	7-03A	99- 4
MD607268	BRACKET ASSY, rear	7-03A	99-10
MD607269	RECTIFIER ASSY	7-03A	99-17
MD607300	ROTOR ASSY	7-03B	101- 7
MD607367	BRACKET ASSY, front	7-03B	101- 4
MD607368	STATOR	7-03B	101- 9
MD607371	TERMINAL SET	7-03B	101-11
MD607372	REGULATOR ASSY	7-03B	101-13
MD607373	BRUSH	7-03D	106-13
MD607373	BRUSH	7-03D	106-13
MD607373	BRUSH	7-03B	101-14
MD607416	STOPPER SET	7-02A	92-14
MD607416	STOPPER SET	7-02A	92-14
MD607420	HOLDER ASSY, brush	7-02A	93-20
MD607420	HOLDER ASSY, brush	7-02A	93-20
MD607432	SCREW SET	7-02A	91- 1
MD607432	SCREW SET	7-02A	91- 1
MD607446	SPRING SET	7-02B	95- 4
MD607539	GEAR SET	7-02A	92-15
MD607539	GEAR SET	7-02A	92-15
MD607540	SHAFT ASSY, pinion	7-02A	92-16
MD607540	SHAFT ASSY, pinion	7-02A	92-16
MD607631	SCREW SET	7-02B	95- 1
MD607633	LEVER ASSY	7-02B	95- 3
MD607634	SWITCH ASSY	7-02B	95- 6
MD607635	BOLT SET	7-02B	95- 7
MD607636	ARMATURE SET	7-02B	95- 8
MD607638	BEARING, rear	7-02B	95-10
MD607642	SHAFT ASSY, pinion	7-02B	95-15
MD607643	BEARING, front	7-02B	95- 9
MD607645	BRACKET ASSY, rear	7-02B	96-21
MD607795	STATOR	7-03D	105- 9
MD607795	STATOR	7-03D	105- 9
MD607796	BRACKET ASSY, rear	7-03D	105-10
MD607796	BRACKET ASSY, rear	7-03D	105-10
MD607797	REGULATOR ASSY	7-03D	106-12
MD607797	REGULATOR ASSY	7-03D	106-12
MD607798	TERMINAL SET	7-03D	105-11
MD607798	TERMINAL SET	7-03D	106-11
MD607799	REGULATOR ASSY	7-03D	106-15
MD607799	REGULATOR ASSY	7-03D	106-15
MD607800	PULLEY ASSY	7-03D	105- 2
MD607800	PULLEY ASSY	7-03D	105- 2
MD607829	TERMINAL SET	7-03E	109-11
MD607937	GEAR SET	7-02A	92-15
MD607938	SHAFT ASSY, pinion	7-02A	92-16
MD607963	BOLT SET	7-03E	109- 3

## PART No. INDEX

Part No.	Part Name	Fig. No.	Page-Key No.
MD611032	REGULATOR ASSY	7-03E	109-12
MD611033	BEARING, front	7-03E	109- 6
MD611034	SCREW SET	7-03F	109- 5
MD611035	BRUSH	7-03E	109-13
MD611150	BEARING, rear	7-03E	109- 8
MD700127	BEARING, ball	1-05	27- 3
MD701786	PIN, spring	4-01	64-15
MD701787	SLEEVE, speedometer driven gear	4-01	64-16
MD701788	O-RING B	4-01	64-17
MD701789	PLATE, locking	4-01	64-20
MD703856	BEARING, ball	1-05	27-10
MD712517	BEARING, ball	1-05	27- 2
MD712517	BEARING, ball	1-05	27- 3
MD952231	BOLT, drive plate	1-04	25-18
ME700124	STOPPER SET	7-02B	95-13
ME700125	COVER SET	7-02B	95-17
ME700127	HOLDER ASSY, brush	7-02B	95-19
ME700128	SPRING, brush	7-02B	96-20
MF100055	BOLT (4T : 8×20)	2-01	32- 5
MF100057	BOLT (4T : 8×25)	6-02	83-28
MF100064	BOLT (4T : 8×45)	1-02	12-19
MF100110	BOLT (4T : 12×25)	1-01	7-37
MF101259	BOLT (7T : 8×30)	6-02	82-12
MF101260	BOLT (7T : 8×32)	2-01	33-11
MF101264	BOLT (7T : 8×45)	5-01	70-14
MF101267	BOLT (7T : 8×60)	5-01	70-15
MF101268	BOLT (7T : 8×65)	4-01	64-24
MF101310	BOLT (7T : 12×25)	1-01	7-37
MF104919	BOLT (7T : 12×55)	1-01	7-33
MF140024	BOLT, flange (8×22)	7-01	87-16
MF140026	BOLT, flange (8×22)	7-01	87-16
MF240031	BOLT, with washer (4T : 6×30)	5-01	70- 8
MF240051	BOLT, with washer (4T : 8×16)	1-02	11- 5
MF240051	BOLT, with washer (4T : 8×16)	1-01	4-18
MF240051	BOLT, with washer (4T : 8×16)	1-02	12-20
MF240051	BOLT, with washer (4T : 8×16)	1-02	12-20
MF240051	BOLT, with washer (4T : 8×16)	2-01	34-24
MF240053	BOLT, with washer (4T : 8×20)	1-02	12-20
MF240054	BOLT, with washer (4T : 8×22)	1-01	4-17
MF240059	BOLT, with washer (4T : 8×35)	1-02	12-22
MF240080	BOLT, with washer (4T : 10×20)	2-01	35-27
MF240105	BOLT, with washer (4T : 12×20)	2-01	35-28
MF241222	BOLT, with washer (7T : 6×10)	3-01	59-25
MF241222	BOLT, with washer (7T : 6×10)	3-01	59-25
MF241223	BOLT, with washer (7T : 6×12)	5-01	69- 4
MF241223	BOLT, with washer (7T : 6×12)	5-01	69- 4
MF241223	BOLT, with washer (7T : 6×12)	5-01	69- 4
MF241223	BOLT, with washer (7T : 6×12)	2-01	34-25
MF241224	BOLT, with washer (7T : 6×14)	4-01	64-21
MF241224	BOLT, with washer (7T : 6×14)	3-01	59-26
MF241225	BOLT, with washer (7T : 6×16)	5-01	69- 4

## PART No. INDEX

Part No.	Part Name	Fig. No.	Page-Key No.
MF241225	BOLT, with washer (7T : 6×16)	1-05	28-29
MF241226	BOLT, with washer (7T : 6×18)	3-01	59-28
MF241226	BOLT, with washer (7T : 6×18)	3-01	60-28
MF241229	BOLT, with washer (7T : 6×25)	5-01	69- 4
MF241229	BOLT, with washer (7T : 6×25)	3-01	57- 9
MF241231	BOLT, with washer (7T : 6×30)	3-01	60-29
MF241231	BOLT, with washer (7T : 6×30)	3-01	60-29
MF241251	BOLT, with washer (7T : 8×16)	1-05	27-12
MF241251	BOLT, with washer (7T : 8×16)	7-01	86-15
MF241251	BOLT, with washer (7T : 8×16)	7-01	86-15
MF241251	BOLT, with washer (7T : 8×16)	7-01	86-15
MF241251	BOLT, with washer (7T : 8×16)	1-01	4-18
MF241253	BOLT, with washer (7T : 8×20)	1-02	12-21
MF241253	BOLT, with washer (7T : 8×20)	1-02	12-21
MF241253	BOLT, with washer (7T : 8×20)	1-02	12-21
MF241255	BOLT, with washer (7T : 8×25)	7-01	87-16
MF241256	BOLT, with washer (7T : 8×28)	5-01	70-19
MF241256	BOLT, with washer (7T : 8×28)	5-01	70-19
MF241257	BOLT, with washer (7T : 8×30)	1-02	12-22
MF241257	BOLT, with washer (7T : 8×30)	1-02	12-22
MF241259	BOLT, with washer (7T : 8×35)	7-01	87-15
MF241259	BOLT, with washer (7T : 8×35)	7-01	87-15
MF241261	BOLT, with washer (7T : 8×40)	6-02	82-13
MF241261	BOLT, with washer (7T : 8×40)	7-01	87-17
MF241261	BOLT, with washer (7T : 8×40)	1-02	12-22
MF241267	BOLT, with washer (7T : 8×70)	6-02	82-14
MF241267	BOLT, with washer (7T : 8×70)	6-02	82-14
MF241267	BOLT, with washer (7T : 8×70)	5-01	70-19A
MF241267	BOLT, with washer (7T : 8×70)	5-01	71-19A
MF241280	BOLT, with washer (7T : 10×20)	1-03	16-12
MF241282	BOLT, with washer (7T : 10×25)	7-01	85- 2
MF241282	BOLT, with washer (7T : 10×25)	7-01	85- 2
MF241284	BOLT, with washer (7T : 10×30)	1-01	8-43
MF241308	BOLT, with washer (7T : 12×28)	1-01	7-36
MF241308	BOLT, with washer (7T : 12×28)	1-01	7-36
MF241308	BOLT, with washer (7T : 12×28)	1-01	7-36
MF241308	BOLT, with washer (7T : 12×28)	1-01	7-36
MF241308	BOLT, with washer (7T : 12×28)	1-01	7-36
MF241308	BOLT, with washer (7T : 12×28)	1-01	8-43
MF241309	BOLT, with washer (7T : 12×30)	1-01	8-43
MF241315	BOLT, with washer (7T : 12×50)	1-01	7-35
MF241315	BOLT, with washer (7T : 12×50)	1-01	7-35
MF243628	BOLT, with washer (4T : 6×25)	2-01	34-20
MF243628	BOLT, with washer (4T : 6×25)	2-01	34-20
MF244823	BOLT, with washer (7T : 6×14)	3-01	59-27
MF244855	BOLT, with washer (7T : 8×30)	2-01	32-10
MF244860	BOLT, with washer (7T : 8×45)	5-01	70-14A
MF244863	BOLT, with washer (7T : 8×60)	5-01	70-15A
MF244864	BOLT, with washer (7T : 8×65)	4-01	64-24A
MF244892	BOLT, with washer (7T : 10×70)	1-05	28-33
MF350769	SCREW, with washer (5×14)	7-03A	99-12

## PART No. INDEX

Part No.	Part Name	Fig. No.	Page-Key No.
MF400683	STUD (7T : 8×45)	1-02	12-23
MF401934	STUD (4T : 8×20)	6-02	82-19
MF401936	STUD (4T : 8×25)	1-03	16-13
MF401936	STUD (4T : 8×25)	6-02	82-15
MF401936	STUD (4T : 8×25)	6-02	82-16
MF402566	STUD (7T : 8×25)	1-02	13-24
MF402574	STUD (7T : 8×50)	6-02	82-20
MF402635	STUD (7T : 14×30)	1-01	4-21
MF430004	NUT, jam (4T : 6)	3-01	60-30
MF430004	NUT, jam (4T : 6)	3-01	60-30
MF430005	NUT (4T : 8)	7-01	87-18
MF430005	NUT (4T : 8)	7-01	87-18
MF430005	NUT (4T : 8)	1-03	17-21
MF430005	NUT (4T : 8)	6-02	82-21
MF430005	NUT (4T : 8)	1-02	13-25
MF430005	NUT (4T : 8)	1-02	13-25
MF430005	NUT (4T : 8)	1-02	13-25
MF430005	NUT (4T : 8)	1-02	13-25
MF430005	NUT (4T : 8)	6-02	83-29
MF430006	NUT (4T : 10)	2-01	33-12
MF430006	NUT (4T : 10)	1-01	7-32
MF430126	NUT (6T : 18)	1-04	24-12
MF430723	NUT, jam (4T : 5)	7-01	86-10
MF430725	NUT, jam (4T : 8)	3-01	60-31
MF430725	NUT, jam (4T : 8)	3-01	60-31
MF430725	NUT, jam (4T : 8)	3-01	60-31
MF430726	NUT, jam (4T : 10)	7-01	85- 5
MF430726	NUT, jam (4T : 10)	1-05	28-30
MF430728	NUT, jam (4T : 14)	4-01	65-29
MF430729	NUT, jam (4T : 16)	4-01	65-29
MF450004	WASHER, plain (6)	2-01	35-26
MF450004	WASHER, plain	3-01	61-42
MF450005	WASHER, plain (8)	7-01	85- 8
MF450005	WASHER, plain (8)	2-01	33-13
MF450005	WASHER, plain (8)	1-02	13-27
MF450005	WASHER, plain (8)	1-02	13-27
MF450005	WASHER, plain (8)	1-02	13-27
MF450005	WASHER, plain (8)	1-02	13-27
MF450010	WASHER, plain (18)	1-04	24-13
MF450404	WASHER, spring (6)	6-01	77-13
MF450405	WASHER, spring (8)	5-01	70-12
MF450405	WASHER, spring (8)	6-02	82-17
MF450405	WASHER, spring (8)	7-01	87-19
MF450405	WASHER, spring (8)	7-01	87-19
MF450405	WASHER, spring (8)	4-01	64-22
MF450405	WASHER, spring (8)	1-02	13-26
MF450405	WASHER, spring (8)	1-02	13-26
MF450405	WASHER, spring (8)	1-02	13-26
MF450405	WASHER, spring (8)	1-02	13-26
MF450405	WASHER, spring (8)	1-02	13-26
MF450405	WASHER, spring (8)	1-02	13-26
MF450405	WASHER, spring (8)	6-02	83-30
MF450405	WASHER, spring (8)	3-01	60-32

## PART No. INDEX

Part No.	Part Name	Fig. No.	Page-Key No.
MF450405	WASHER, spring (8)	3-01	60-32
MF450405	WASHER, spring (8)	3-01	60-32
MF450406	WASHER, spring (10)	7-01	85- 4
MF450406	WASHER, spring (10)	1-05	29-34
MF450407	WASHER, spring (12)	1-01	7-34
MF450410	WASHER, spring (18)	1-04	25-14
MF472403	PIN, dowel (6)	1-04	25-22
MF472404	PIN, dowel (8)	1-01	4-19
MF472535	PIN, spring (3X14)	4-01	64-15
MF472536	PIN, spring (3X16)	4-01	64-15
MF476018	KEY, sunk (5X12)	1-05	28-13
MF476215	KEY, woodruff (5X19)	1-05	27- 6
MF476215	KEY, woodruff (5X19)	1-04	25-15
MF520002	O-RING (7)	3-01	60-33
MF520002	O-RING (7)	3-01	60-33
MF520002	O-RING (7)	3-01	60-33
MF520004	O-RING (9)	1-01	8-40
MF520012	O-RING (18)	4-01	64-19
MF520402	O-RING (30)	4-01	66-40
MF522010	SNAP RING (19)	1-05	28-31
MF650106	BOLT, eye (18)	4-01	66-36
MF660031	GASKET (6)	3-01	58-17
MF660036	GASKET (16)	4-01	65-27
MF660042	GASKET (30)	3-01	60-37
MF660042	GASKET (30)	3-01	60-37
MF661011	CLAMP, hose (22)	5-01	71-27
MF661011	CLAMP, hose (22)	5-01	71-27
MF661013	CLAMP, hose (25)	4-01	66-34
MF661019	CLAMP, hose (38)	5-02	73- 7
MF661019	CLAMP, hose (38)	5-02	73- 7
MF661019	CLAMP, hose (38)	5-02	73- 7
MF661022	CLAMP, hose (45)	5-02	73- 8
MF661022	CLAMP, hose (45)	5-02	73- 8
MF661022	CLAMP, hose (45)	5-02	73- 8
MF661023	CLAMP, hose (48)	6-01	77-10
MF661024	CLAMP, hose (50)	5-02	73- 8
MF661027	CLAMP, hose (58)	6-01	77-11
MF665511	PLUG, expansion (40)	1-01	4-20
MF665537	CAP, sealing (22)	1-01	4-11
MF665538	CAP, sealing (25)	1-03	15- 6
MF665538	CAP, sealing (25)	1-03	16- 6
MF665538	CAP, sealing (25)	1-01	4- 9
MF665538	CAP, sealing (25)	1-01	4- 9
MF665543	CAP, sealing (45)	1-03	16- 7
MF665543	CAP, sealing (45)	1-03	16- 7
MF665543	CAP, sealing (45)	1-01	4-10
MF665543	CAP, sealing (45)	1-01	4-10
MF790801	PLIER (150)	9-01	115- 7
MH037087	BOLT, eye (14)	2-01	35-30
MK66106000	WASHER, seal	3-01	58-17
MK66108000	PACKING	2-04	53- 2

## PART No. INDEX

Part No.	Part Name	Fig. No.	Page-Key No.
MK66108000	WASHER, seal	2-01	36-45
MK66114000	WASHER, seal	2-01	31- 1
MK66114000	WASHER, seal	4-01	65-27
MK66114000	WASHER, seal	2-01	35-29
MK96008010	SPANNER, double head (8X10)	9-01	115- 4
MK96010013	SPANNER, double head (10X13)	9-01	115- 4
MK96012014	SPANNER, double head (12X14)	9-01	115- 5
MK96017019	SPANNER, double head (17X19)	9-01	115- 6
MK99200001	METAL, sealing	3-01	57- 1
MK99300140	WIRE	3-01	57- 2
MM100088	JOINT	2-01	36-42
MM100088	JOINT	2-01	36-42
MM100088	JOINT	2-01	36-42
MM100089	CLAMP, hose	2-01	36-43
MM100089	CLAMP, hose	2-01	36-43
MM100089	CLAMP, hose	2-01	36-43
MM100090	BOLT, eye (14)	2-01	35-30
MM104556	PLUG, taper (PT 3/8)	1-03	16-15
MM130066	SWITCH ASSY, oil pressure (P05)	4-01	65-30
MM130202	HOSE, water (A)	5-02	73- 5
MM130203	HOSE, water (B)	5-02	73- 6
MM130208	RADIATOR ASSY	5-02	73-1~4
MM131129	RADIATOR ASSY	5-02	74- 8
MM200116	CAP ASSY	5-02	73- 2
MM200127	DRAIN, cock	5-02	73- 4
MM200230	RADIATOR ASSY	5-02	73-1~4
MM200230	RADIATOR ASSY	5-02	73-1~4
MM200232	RADIATOR ASSY	5-02	73-1~4
MM200235	HOSE, water (B)	5-02	73- 6
MM200235	HOSE, water (B)	5-02	73- 6
MM200236	HOSE, water (A)	5-02	73- 5
MM200236	HOSE, water (A)	5-02	73- 5
MM200271	CAP ASSY	5-02	73- 2
MM200272	DRAIN, cock	5-02	73- 4
MM200273	PACKING	5-02	73- 3
MM200542	PUMP ASSY, electric fuel	2-01	35-31
MM200551	CLEANER ASSY, air	6-01	77-12~18
MM200571	ELEMENT	6-01	77- 2
MM200573	ELEMENT	6-01	77- 2
MM201102	LAMP, pilot (charge : red)	8-01	111-1, 2
MM201103	LAMP, pilot (press : yellow)	8-01	111-1, 2
MM201104	LAMP, pilot (water temp : blue)	8-01	111-1, 2
MM201106	BULB (12V 3.4W T-10)	8-01	111- 2
MM201106	BULB (12V 3.4W T-10)	8-01	111-12
MM201112	HOURMETER	8-01	112-17
MM201122	LAMP, pilot (charge : red)	8-01	111-11, 12
MM201123	LAMP, pilot (press : yellow)	8-01	111-11, 12
MM201124	LAMP, pilot (water temp : blue)	8-01	111-11, 12
MM201175	BOX ASSY, pilot lamp	8-01	111- 8
MM300110	DRIVER, screw	9-01	115- 3
MM300152	NOZZLE ASSY	2-03	49- 9



## PART No. INDEX

Part No.	Part Name	Fig. No.	Page-Key No.
MM300540	CAP ASSY, oil filler	4-01	66-39
MM300564	DRIVER, screw (+ & -)	9-01	115- 8
MM300816	BAG, tool	9-01	115- 1
MM306974	SEAL, dust	6-02	81- 6
MM314770	STAY, rocker	1-05	28-27
MM317055	HANGER, spring	3-01	61-41
MM317093	CAP, gum	3-01	60-35
MM317770	MUFFLER ASSY	6-02	82-24, 25
MM317772	CLAMP	6-02	82-25
MM400580	CLEANER ASSY, air	6-01	77-1~7
MM400581	CLEANER ASSY, air	6-01	77-1~7
MM400850	CLEANER ASSY, air	6-01	77-1~7
MM400861	FILTER ASSY, fuel	2-01	34-21
MM400880	CLAMP, filter	2-01	34-23
MM400886	JOINT	2-01	36-42A
MM400889	CUP, filter	2-04	54-20
MM400955	CLAMP (A)	2-01	34-19
MM400956	CLAMP (B)	2-01	34-18
MM401080	BOLT, high speed set	3-01	57- 3
MM401082	BOLT, low idel set	3-01	57- 4
MM401099	SPRING, return	3-01	61-40
MM401110	NOZZLE & HOLDER ASSY	2-01	32- 6
MM401110	NOZZLE & NOZZLE ASSY	2-03	49-3A~10
MM401186	SPRING	4-01	65-32
MM401205	COVER, oil pump shaft	1-02	12-18
MM401206	GASKET, oil pump cover	11-01	121- 2
MM401206	GASKET, oil pump cover	1-02	12-17
MM401206	GASKET, oil pump cover	1-02	12-17
MM401206	GASKET, oil pump cover	10-01	118-25
MM401322	HOSE, air	6-01	77- 9
MM401471	SWITCH, thermo (103)	5-01	71-24
MM401621	PLUG, glow (12V : Y-110)	7-01	87-29
MM401621	PLUG, glow (12V : Y-110)	7-01	87-29
MM402381	SPRING, valve	1-05	28-17
MM402547	BOLT, con rod	1-04	23- 6
MM402565	STUD (7T : 8X22)	1-02	13-24
MM402565	STUD (7T : 8X22)	1-02	13-24
MM402565	STUD (7T : 8X22)	1-02	13-24
MM402565	STUD (7T : 8X22)	1-02	13-24
MM402737	TAPPET	1-05	28-19
MM402971	NOZZLE & HOLDER ASSY	2-01	32- 6
MM402971	NOZZLE & HOLDER ASSY	2-03	49-1~10
MM403484	SPACER, fan	5-01	69- 3
MM403988	STOPPER	3-01	57- 8
MM404316	BOLT (10X90)	1-03	16-11
MM404456	JOINT, eye	4-01	66-33
MM404871	LEVER	2-04	53-13
MM404873	SPRING, valve	2-04	53-11
MM404874	O-RING, valve	2-04	53-12
MM404875	SCREW	2-04	53-14
MM404876	CUP, filter	2-04	54-20

## PART No. INDEX

Part No.	Part Name	Fig. No.	Page-Key No.
MM404877	NUT, ring	2-04	54-21
MM404878	O-RING, filter cup	10-01	117- 4
MM404878	O-RING, filter cup	2-04	53-19
MM404879	ELEMENT, 30micron	2-04	53-18
MM404880	SCREW, air vent	2-04	53-16
MM404881	O-RING, element	10-01	117- 5
MM404881	O-RING, element	2-04	53-17
MM404884	PACKING	2-04	53-15
MM405006	SPRING, governor	3-01	59-23
MM405011	SPRING, governor	11-01	121- 4
MM405011	SPRING, governor	3-01	59-23
MM405260	TUBE, oil drain	4-01	65-31
MM405430	FAN, cooling ( $\phi$ 320×6 : p)	5-01	69-1A
MM405460	PULLEY, water pump	5-01	69- 2
MM406217	BOLT, bearing cap	1-01	3- 6
MM406228	SEAL, side (CSS : 4×4×82)	1-01	3- 2
MM406228	SEAL, side	10-01	117- 7
MM406235	GUIDE, oil level gauge	1-01	3- 3
MM406242	OIL SEAL (70×92×12)	1-01	3- 4
MM406420	BEARING, needle (10×14×15)	1-02	11- 9
MM406421	BEARING, needle (10×17×15)	1-02	11-10
MM406570	GEAR, crankshaft	1-04	24- 9
MM406600	RING SET, piston STD	1-04	21- 2
MM406601	RING SET, piston 0.25OS	1-04	21- 2
MM406602	RING SET, piston 0.50OS	1-04	22- 2
MM406603	RING SET, piston 0.75OS	1-04	22- 2
MM406610	PISTON & PIN SET STD	1-04	19- 1
MM406611	PISTON & PIN SET 0.25OS	1-04	19- 1
MM406612	PISTON & PIN SET 0.50OS	1-04	20- 1
MM406613	PISTON & PIN SET 0.75OS	1-04	20- 1
MM406682	BEARING, ball	1-05	27-10
MM406685	GEAR, injection pump camshaft	1-05	27-11
MM406722	GEAR, camshaft	1-05	27- 5
MM406732	ROCKER ARM	1-05	28-24
MM406745	WASHER, seat	1-05	28-25
MM406882	BODY SUB ASSY, fuel filter	2-04	53- 9
MM406922	HOSE ASSY, fuel	2-01	36-46
MM406924	HOSE ASSY, fuel	2-01	36-46
MM407000	WEIGHT ASSY, governor	3-01	57- 5
MM407006	WEIGHT ASSY, governor	3-01	57- 5
MM407010	SHAFT ASSY, sliding	3-01	57- 6
MM407010	SHAFT ASSY, sliding	3-01	57- 6
MM407028	LEVER ASSY, sliding	3-01	57-7
MM407030	SHAFT, governor	3-01	58-12
MM407031	SHAFT, governor	3-01	58-12
MM407035	LEVER, governor spring	3-01	58-13
MM407035	LEVER, governor spring	3-01	58-13
MM407035	LEVER, governor spring	3-01	58-13
MM407053	LEVER ASSY, speed control	3-01	58-14
MM407124	GASKET, oil pump body	10-01	117- 9
MM407124	GASKET, oil pump body	4-01	64-12

## PART No. INDEX

Part No.	Part Name	Fig. No.	Page-Key No.
MM407125	ROTOR ASSY, oil pump	4-01	63- 6
MM407136	PLUG	4-01	63- 2
MM407137	GASKET	4-01	63- 3
MM407143	COVER, oil pump	4-01	63- 7
MM407145	O-RING	4-01	63- 9
MM407170	DRIVEN UNIT, speedometer	4-01	64-15~19
MM407171	GEAR, speedometer driven	4-01	64-18
MM407265	GEAR, pressure oil pump	1-05	27- 1
MM407405	PUMP ASSY, water	5-01	69- 5
MM407422	GASKET, water pump	10-01	117-10
MM407422	GASKET, water pump	5-01	70-11
MM407432	FITTING, thermostat	5-01	70-18
MM407432	FITTING, thermostat	5-01	70-18
MM407671	ALTERNATOR ASSY (12V-15A) : M	7-01	85- 9
MM407671	ALTERNATOR ASSY (12V-15A) : M	7-03C	103-1~15
MM408164	BEARING SET, crankshaft STD	1-01	5-27
MM408164	BEARING SET, crankshaft STD	1-01	5-27
MM408165	BEARING SET, crankshaft 0.25US	1-01	5-27
MM408165	BEARING SET, crankshaft 0.25US	1-01	5-27
MM408166	BEARING SET, crankshaft 0.50US	1-01	6-27
MM408166	BEARING SET, crankshaft 0.50US	1-01	6-27
MM408167	BEARING SET, crankshaft 0.75US	1-01	6-27
MM408167	BEARING SET, crankshaft 0.75US	1-01	6-27
MM408169	SHAFT, idler	1-01	4-12
MM408175	SHAFT, idler	1-01	4-12
MM408176	BUSHING, camshaft	1-01	4- 8
MM408200	CASE, oil seal	1-01	4-13
MM408205	GASKET, oil seal	10-01	117-12
MM408205	GASKET, oil seal	1-01	4-14
MM408211	PLATE, rear	1-01	6-28
MM408212	PLATE, rear	1-01	6-28
MM408213	PLATE, rear	1-01	6-28
MM408216	GASKET, rear plate	1-01	6-29
MM408217	GASKET, rear plate	1-01	6-29
MM408221	PLATE, front	1-01	4-15
MM408221	PLATE, front	1-01	4-15
MM408222	PLATE, front	1-01	4-15
MM408226	GASKET, front plate	10-01	117-13
MM408226	GASKET, front plate	1-01	4-16
MM408227	GEAR CASE	1-02	11-11
MM408230	GEAR CASE	1-02	11-11
MM408233	COVER, governor	1-02	11- 6
MM408234	GASKET, governor cover	1-02	11- 7
MM408234	GASKET, governor cover	10-01	117-14
MM408235	GASKET, gear case	11-01	121- 1
MM408235	GASKET, gear case (0.5t)	1-02	12-13
MM408235	GASKET, gear case	10-01	117-15
MM408236	GASKET, gear case	11-01	121- 1
MM408236	GASKET, gear case (0.8t)	1-02	12-13
MM408240	PIN, knock (8X10)	1-01	7-30
MM408245	PIN, knock (10X12)	1-01	6-30

## PART No. INDEX

Part No.	Part Name	Fig. No.	Page-Key No.
MM408287	BLOCK SUB ASSY, cylinder	1-01	3-5~10
MM408291	GASKET, oil pan	1-02	11- 4
MM408291	GASKET, oil pan	10-01	117-16
MM408297	PAN ASSY, oil	1-02	11-1~3
MM408305	PAN ASSY, oil	1-02	11-1~3
MM408305	PAN ASSY, oil	1-02	11-1~3
MM408322	GASKET, oil pan	1-02	11- 4
MM408322	GASKET, oil pan	10-01	117-16
MM408346	BLOCK SUB ASSY, cylinder	1-01	3-5~10
MM408358	BLOCK SUB ASSY, cylinder	1-01	3-5~10
MM408409	HEAD ASSY, cylinder	1-03	15-4~7
MM408418	HEAD ASSY, cylinder	1-03	15-4~7
MM408441	GUIDE, valve	1-03	15- 5
MM408448	GASKET, cylinder head	1-03	16- 8
MM408448	GASKET, cylinder head	10-01	118-17
MM408450	VALVE, intake	1-05	28-20
MM408455	VALVE, exhaust	1-05	28-21
MM408456	GASKET, cylinder head	1-03	16- 8
MM408456	GASKET, cylinder head	10-01	118-17
MM408457	GASKET, cylinder head	1-03	16- 8
MM408457	GASKET, cylinder head	10-01	118-17
MM408459	SEAT, valve spring	1-05	28-18
MM408470	HANGER, engine	1-03	16- 9
MM408481	BOLT, cylinder head	1-03	16-10
MM408492	COVER ASSY, rocker	1-03	17-18, 19
MM408502	GASKET, rocker cover	1-03	17-20
MM408509	WASHER	1-03	16-16
MM408520	PISTON & PIN SET STD	1-04	19- 1
MM408521	PISTON & PIN SET 0.25OS	1-04	19- 1
MM408522	PISTON & PIN SET 0.50OS	1-04	20- 1
MM408523	PISTON & PIN SET 0.75OS	1-04	21- 1
MM408536	PIPE, air breather	1-03	15- 2
MM408537	PIPE, air breather	1-03	15- 2
MM408537	PIPE, air breather	1-03	15- 2
MM408537	PIPE, air breather	1-03	15- 2
MM408542	MANIFOLD ASSY, intake	6-02	81-1, 2
MM408542	MANIFOLD ASSY, intake	6-02	81-1, 2
MM408548	MANIFOLD, intake	6-02	81- 1
MM408548	MANIFOLD, intake	6-02	81- 1
MM408548	MANIFOLD, intake	6-02	81- 1
MM408552	GASKET, intake manifold	6-02	81- 3
MM408552	GASKET, intake manifold	10-01	118-18
MM408563	PIPE, inlet	6-02	81- 4
MM408563	PIPE, inlet	6-02	81- 4
MM408563	PIPE, inlet	6-02	81- 4
MM408565	PIPE, inlet	6-02	81- 4
MM408566	GASKET, inlet pipe	6-02	81- 7
MM408566	GASKET, inlet pipe	6-02	81- 7
MM408566	GASKET, inlet pipe	10-01	118-19
MM408567	PIPE ASSY, inlet	6-02	81-4, 5
MM408567	PIPE ASSY, inlet	6-02	81-4, 5

## PART No. INDEX

Part No.	Part Name	Fig. No.	Page-Key No.
MM408567	PIPE ASSY, inlet	6-02	81-4, 5
MM408572	MANIFOLD, exhaust	6-02	81- 8
MM408577	GASKET, exhaust manifold	6-02	82-10
MM408577	GASKET, exhaust manifold	10-01	118-20
MM408581	GASKET	10-01	118-21
MM408581	GASKET	6-02	82-22
MM408581	GASKET	6-02	82-22
MM408586	RING SET, piston 0.25OS	1-04	21- 2
MM408587	RING SET, piston 0.50OS	1-04	22- 2
MM408588	RING SET, piston 0.75OS	1-04	22- 2
MM408590	CLAMP, tachometer cable	6-02	82-11
MM408591	MANIFOLD, exhaust	6-02	82- 8
MM408593	PISTON & PIN SET STD	1-04	19- 1
MM408594	PISTON & PIN SET 0.25OS	1-04	19- 1
MM408595	PISTON & PIN SET 0.50OS	1-04	20- 1
MM408596	PISTON & PIN SET 0.75OS	1-04	20- 1
MM408603	RING SET, piston STD	1-04	21- 2
MM408616	PISTON & PIN SET 0.25OS	1-04	19- 1
MM408617	PISTON & PIN SET 0.50OS	1-04	20- 1
MM408618	PISTON & PIN SET 0.75OS	1-04	20- 1
MM408728	PISTON & PIN SET STD	1-04	19- 1
MM408760	RING SET, piston STD	1-04	21- 2
MM408761	RING SET, piston 0.25OS	1-04	21- 2
MM408762	RING SET, piston 0.50OS	1-04	22- 2
MM408763	RING SET, piston 0.75OS	1-04	22- 2
MM408790	ROD ASSY, connecting	1-04	22-4~7
MM408795	BEARING SET, con rod STD	1-04	23- 8
MM408795	BEARING SET, con rod STD	1-04	23- 8
MM408796	BEARING SET, con rod 0.25US	1-04	23- 8
MM408796	BEARING SET, con rod 0.25US	1-04	23- 8
MM408797	BEARING SET, con rod 0.50US	1-04	23- 8
MM408797	BEARING SET, con rod 0.50US	1-04	23- 8
MM408798	BEARING SET, con rod 0.75US	1-04	24- 8
MM408798	BEARING SET, con rod 0.75US	1-04	24- 8
MM408813	PULLEY, crankshaft	1-04	24-11
MM408817	CRANKSHAFT	1-04	24-10
MM408823	PULLEY, crankshaft	1-04	24-11A
MM408850	HOUSING, flywheel	1-01	7-31
MM408855	FLYWHEEL ASSY	1-04	25-19, 20
MM408855	FLYWHEEL ASSY	1-04	25-19, 20
MM408860	FLYWHEEL ASSY	1-04	25-19, 20
MM408870	FILTER ASSY, fuel	2-01	34-21B
MM408870	FILTER ASSY, fuel	2-04	53-9~21
MM408880	NOZZLE & HOLDER ASSY	2-03	49-1A~10
MM408880	NOZZLE & HOLDER ASSY	2-01	32-6A
MM408894	BODY SUB ASSY, fuel filter	2-04	53- 9
MM408896	CRANKSHAFT	1-04	24-10
MM408898	FILTER ASSY, fuel	2-01	34-21B
MM408898	FILTER ASSY, fuel	2-04	53-9~21
MM408907	CAMSHAFT	1-05	27- 4
MM408908	GEAR ASSY, idle	1-05	27- 8

## PART No. INDEX

Part No.	Part Name	Fig. No.	Page-Key No.
MM408920	ROD, push	1-05	28-22
MM408936	SHAFT ASSY, rocker	1-05	28-26
MM408950	BOLT	1-05	28-32
MM408965	CAMSHAFT, fuel injection pump	1-05	27- 9
MM408992	FILTER, fuel pump	2-01	35-33
MM408993	PUMP ASSY, electric fuel	2-01	35-31
MM408998	PUMP ASSY, electric fuel	2-01	35-31
MM409012	PUMP ASSY, fuel injection	2-01	31- 2
MM409012	PUMP ASSY, fuel injection	2-01	31- 2
MM409012	PUMP ASSY, fuel injection	2-02	39-1~31
MM409012	PUMP ASSY, fuel injection	2-02	39-1~31
MM409016	PUMP ASSY, fuel injection	2-01	31- 2
MM409016	PUMP ASSY, fuel injection	2-01	31- 2
MM409016	PUMP ASSY, fuel injection	2-02	39-1~31
MM409016	PUMP ASSY, fuel injection	2-02	39-1~31
MM409026	PUMP ASSY, fuel injection	2-01	31- 2
MM409026	PUMP ASSY, fuel injection	2-01	31- 2
MM409026	PUMP ASSY, fuel injection	2-02	39-1~31
MM409026	PUMP ASSY, fuel injection	2-02	39-1~31
MM409026	PUMP ASSY, fuel injection	2-02	39-1~31
MM409027	PUMP ASSY, fuel injection	2-01	31- 2
MM409027	PUMP ASSY, fuel injection	2-01	31- 2
MM409027	PUMP ASSY, fuel injection	2-02	39-1~31
MM409027	PUMP ASSY, fuel injection	2-02	39-1~31
MM409033	SHIM, adjusting (0.4t)	11-01	121- 3
MM409055	PUMP ASSY, fuel injection	2-01	31- 2
MM409055	PUMP ASSY, fuel injection	2-02	39-1~31
MM409057	PUMP ASSY, fuel injection	2-01	31- 2
MM409057	PUMP ASSY, fuel injection	2-02	39-1~31
MM409069	HOSE ASSY, fuel	2-01	36-46
MM409078	PIPE ASSY, fuel return	2-01	36-44
MM409094	PIPE ASSY, fuel injection No.1	2-01	33-14
MM409094	PIPE ASSY, fuel injection No.1	2-01	33-14
MM409095	PIPE ASSY, fuel injection No.2	2-01	33-15
MM409095	PIPE ASSY, fuel injection No.2	2-01	33-15
MM409096	PIPE ASSY, fuel injection No.3	2-01	33-16
MM409096	PIPE ASSY, fuel injection No.3	2-01	33-16
MM409097	PIPE ASSY, fuel injection No.4	2-01	33-17
MM409097	PIPE ASSY, fuel injection No.4	2-01	34-17
MM409101	PIPE ASSY, fuel return	2-01	35-36
MM409101	PIPE ASSY, fuel return	2-01	35-36
MM409104	PIPE ASSY, fuel return	2-01	35-36
MM409120	SUPPORT, fuel filter	2-01	34-22A
MM409121	SUPPORT, fuel filter	2-01	34-22
MM409125	COLLAR, union	2-01	32- 4
MM409126	COLLAR, union	2-01	32- 4
MM409142	LEVÉR ASSY, speed control	3-01	58-14
MM409148	SPRING, governor	11-01	121- 4
MM409148	SPRING, governor	3-01	59-23
MM409148	SPRING, governor	3-01	59-23
MM409150	COVER, tie rod	3-01	58-15

## PART No. INDEX

Part No.	Part Name	Fig. No.	Page-Key No.
MM409150	COVER, tie rod	3-01	58-15
MM409151	GASKET, tie rod cover	11-01	121- 5
MM409151	GASKET, cover	10-01	117- 8
MM409151	GASKET, cover	3-01	59-21
MM409152	SPRING, tie rod	3-01	57-10
MM409152	SPRING, tie rod	3-01	57-10
MM409157	ROD, tie	3-01	57-11
MM409157	ROD, tie	3-01	58-11
MM409157	ROD, tie	3-01	58-11
MM409166	COVER ASSY, tie rod	3-01	58-16
MM409166	COVER ASSY, tie rod	3-01	58-16
MM409167	SCREW, adjusting	3-01	59-18
MM409168	NUT, special	3-01	59-19
MM409169	CAP, sealing	3-01	59-20
MM409181	ROD, tie	3-01	58-11
MM409181	ROD, tie	3-01	58-11
MM409182	SPRING, tie rod	3-01	57-10
MM409182	SPRING, tie rod	3-01	57-10
MM409182	SPRING, tie rod	3-01	57-10
MM409186	SPRING, governor	3-01	59-23
MM409193	OIL PUMP ASSY	4-01	63-1~10
MM409197	OIL PUMP ASSY	4-01	63-1~10
MM409201	BODY, oil pump	4-01	63- 5
MM409204	SPRING, relief	4-01	63- 8
MM409210	TUBE ASSY, oil drain	4-01	65-31~34
MM409213	COVER ASSY, tie rod	3-01	58-16
MM409213	COVER ASSY, tie rod	3-01	58-16
MM409216	SCREEN ASSY, oil	4-01	65-28
MM409226	GAUGE, oil level	1-01	7-38
MM409227	GAUGE, oil level	1-01	7-38A
MM409230	HOUSING, pump gear bearing	1-02	12-14
MM409230	HOUSING, pump gear bearing	1-02	12-14
MM409235	GASKET, housing	1-02	12-15
MM409235	GASKET, housing	1-02	12-16
MM409235	GASKET, housing	10-01	118-22
MM409237	LEVER ASSY, speed control	3-01	58-14
MM409239	PIN, grooved	3-01	59-22
MM409240	GEAR, pressure oil pump	1-05	27- 1
MM409241	GEAR, pressure oil pump	1-05	27- 1
MM409244	BODY, oil pump	4-01	63- 5
MM409245	GEAR, pressure oil pump	1-05	27- 1
MM409257	GAUGE, oil level	1-01	7-39
MM409263	PUMP ASSY, fuel injection	2-01	31- 2
MM409263	PUMP ASSY, fuel injection	2-02	39-1~31
MM409301	PUMP ASSY, water	5-01	69- 5
MM409301	PUMP ASSY, water	5-01	69- 5
MM409303	PUMP ASSY, water	5-01	69- 5
MM409303	PUMP ASSY, water	5-01	69- 5
MM409304	NIPPLE, hose	5-01	69- 6
MM409304	NIPPLE, hose	5-01	71-21
MM409304	NIPPLE, hose	5-01	71-21

## PART No. INDEX

Part No.	Part Name	Fig. No.	Page-Key No.
MM409305	BELT, fan (HM : L=950)	5-01	71-25
MM409307	BELT, fan (HM-C : L=980)	5-01	71-25
MM409320	SPACER	7-01	85-7B
MM409326	GASKET, water pump	5-01	70- 9
MM409326	GASKET, water pump	10-01	117-11
MM409327	PLATE, water pump	5-01	70-10
MM409328	SPACER	7-01	85- 7
MM409328	SPACER	7-01	85- 7
MM409330	HOSE ASSY, water	5-01	71-26
MM409330	HOSE ASSY, water	5-01	71-26
MM409365	FILTER ASSY, oil	4-01	65-26
MM409365	FILTER ASSY, oil	4-01	65-26
MM409370	OIL PUMP ASSY	4-01	63-1~11
MM409370	OIL PUMP ASSY	4-01	63-1~11
MM409371	OIL PUMP ASSY	4-01	63-1~11
MM409372	COVER, oil pump	4-01	63- 7
MM409373	PIN, dowel	4-01	63- 4
MM409380	SWITCH, thermo (108)	5-01	71-24
MM409381	SWITCH, thermo (111)	5-01	71-24
MM409410	STARTER ASSY (12V-1.6KW) : M	7-01	85- 1
MM409410	STARTER ASSY (12V-1.6KW) : M	7-01	85- 1
MM409410	STARTER ASSY (12V-1.6KW) : M	7-02A	91-1~22
MM409410	STARTER ASSY (12V-1.6KW) : M	7-02A	91-1~22
MM409412	STARTER ASSY (12V-20KW) : M	7-01	85- 1
MM409412	STARTER ASSY (12V-2.0KW) : M	7-02B	95-1~22
MM409413	STARTER ASSY (12V-2.0KW) : M	7-01	85- 1
MM409413	STARTER ASSY (12V-2.0KW) : M	7-02B	95-1~22
MM409414	STARTER ASSY (12V-1.6KW) : M	7-01	85- 1
MM409414	STARTER ASSY (12V-1.6KW) : M	7-02A	91-1~22
MM409420	BOLT, starter	7-01	85- 3
MM409421	COVER starter	6-02	82-23
MM409427	BOLT, starter	7-01	85- 3
MM409460	BRACE, generater	7-01	86-13
MM409463	BRACE, generater	7-01	86-13
MM409464	BRACE, generater	7-01	86-13
MM409464	BRACE, generater	7-01	86-13
MM409466	PIECE, distance	7-01	86-14
MM409466	PIECE, distance	7-01	86-14
MM409510	PLUG, glow (12V : Y-114T)	7-01	87-29
MM409511	WIRE, glow plug read	7-01	88-30
MM409512	LAMP, glow (DH-136V-39)	8-01	111- 4
MM409577	GASKET, rear plate	1-01	6-29
MM409590	BEARING SET, crankshaft STD	1-01	5-27
MM409590	BEARING SET, crankshaft STD	1-01	5-27
MM409591	BEARING SET, crankshaft 0.25US	1-01	5-27
MM409591	BEARING SET, crankshaft 0.25US	1-01	5-27
MM409592	BEARING SET, crankshaft 0.50US	1-01	6-27
MM409592	BEARING SET, crankshaft 0.50US	1-01	6-27
MM409593	BEARING SET, crankshaft 0.75US	1-01	6-27
MM409593	BEARING SET, crankshaft 0.75US	1-01	6-27
MM409605	BEARING SET, con rod 0.25US	1-04	23- 8



## PART No. INDEX

Part No.	Part Name	Fig. No.	Page-Key No.
MM409605	BEARING SET, con rod 0.25US	1-04	23- 8
MM409606	BEARING SET, con rod 0.50US	1-04	24- 8
MM409606	BEARING SET, con rod 0.50US	1-04	24- 8
MM409607	BEARING SET, con rod 0.75US	1-04	24- 8
MM409607	BEARING SET, con rod 0.75US	1-04	24- 8
MM409608	BEARING SET, con rod STD	1-04	23- 8
MM409608	BEARING SET, con rod STD	1-04	23- 8
MM409640	COVER ASSY, tie rod	3-01	58-16
MM409645	PIN, dowel	1-01	3- 1
MM409650	ALTERNATOR ASSY (12V-50A) : M	7-01	85- 9
MM409650	ALTERNATOR ASSY (12V-50A) : M	7-03B	101-1~16
MM409651	ALTERNATOR ASSY (12V-35A) : M	7-01	86- 9
MM409651	ALTERNATOR ASSY (12V-35A) : M	7-01	86- 9
MM409651	ALTERNATOR ASSY (12V-35A) : M	7-03D	105-1~17
MM409651	ALTERNATOR ASSY (12V-35A) : M	7-03D	105-1~17
MM409655	BRACE, generater	7-01	86-13A
MM409656	SPACER	7-01	85-7A
MM409656	SPACER	7-01	85-7A
MM409660	CONNECTOR, 1 pole female	7-01	87-21
MM409661	CONNECTOR, 3 poles male	7-01	87-24
MM409663	CONNECTOR, 4 poles male	7-01	87-25
MM409670	SOLENOID, tubular	3-01	60-34
MM409671	NUT (30)	3-01	60-36
MM409671	NUT	4-01	66-37
MM409672	PLUG	3-01	61-43
MM409675	UNIT ASSY, contorol timer	7-01	88-31
MM409677	CAP, gum	3-01	60-35
MM409686	LEVER, stop	3-01	60-39
MM409686	LEVER, stop	3-01	61-39
MM409692	SPRING, governor	3-01	59-23
MM409692	SPRING, governor	3-01	59-23
MM409718	PLUG, thrust	1-02	12-12
MM409719	GEAR CASE	1-02	11-11A
MM409730	PISTON & PIN SET STD	1-04	19- 1
MM409733	ROD ASSY, connecting	1-04	22-4~7
MM409743	PIPE ASSY, fuel return	2-01	36-44
MM409753	RING SET, piston STD	1-04	21- 2
MM409758	HEAD ASSY, cylinder	1-03	15-4~7
MM409763	PIPE, inlet	6-02	81- 4
MM409765	RING SET, piston 0.25OS	1-04	22- 2
MM409766	RING SET, piston 0.50OS	1-04	22- 2
MM409767	RING SET, piston 0.75OS	1-04	22- 2
MM409869	O-RING, filter cup	10-01	117- 6
MM409880	GASKET (cover side)	2-01	35-34
MM409881	GASKET (coil side)	2-01	35-32
MM409882	MAGNET	2-01	35-35
MM409892	SERVICE KIT, fuel filter	2-04	54-22
MM409893	SERVICE KIT, relief valve	4-01	64-13
MM409894	SERVICE KIT, rotor	4-01	64-14
MM409895	SERVICE KIT, starter bearing	7-02A	93-23
MM409895	SERVICE KIT, starter bearing	7-02A	93-23

## PART No. INDEX

Part No.	Part Name	Fig. No.	Page-Key No.
MM409897	SERVICE KIT, brush & bearing	7-03A	99-18
MM409898	SHIM SET, adjusting	2-01	32- 3
MM412528	HEAD ASSY, cylinder	1-03	15-4~7
MM412605	PAN ASSY, oil	1-02	11-1~3
MM412606	PAN ASSY, oil	1-02	11-1~3
MM412608	PAN ASSY, oil	1-02	11-1~3
MM412616	PAN ASSY, oil	1-02	11-1~3
MM412649	PAN, oil	1-02	11-1
MM412780	PISTON & PIN SET 0.250S	1-04	19- 1
MM412781	PISTON & PIN SET 0.500S	1-04	20- 1
MM412782	PISTON & PIN SET 0.750S	1-04	21- 1
MM412946	FLYWHEEL ASSY	1-04	25-19, 20
MM412960	HOUSING, flywheel	1-01	7-31A
MM412962	HOUSING, flywheel	1-01	7-31B
MM412965	FLYWHEEL ASSY	1-04	25-19, 20
MM413104	PIPE, rubber (4X80)	2-01	35-37
MM413107	PIPE, rubber (4X110)	2-01	35-38
MM413117	PIPE, rubber (4X225)	2-01	36-40
MM413119	PIPE, rubber (4X255)	2-01	36-40
MM413132	PIPE, rubber (4X35)	2-01	36-39
MM413194	PIPE ASSY, fuel return	2-01	35-36
MM413224	PUMP ASSY, fuel injection	2-01	31- 2
MM413224	PUMP ASSY, fuel injection	2-02	39-1~31
MM413239	PUMP ASSY, fuel injection	2-01	31- 2
MM413239	PUMP ASSY, fuel injection	2-01	31- 2
MM413239	PUMP ASSY, fuel injection	2-01	32- 2
MM413239	PUMP ASSY, fuel injection	2-02	39-1~31
MM413239	PUMP ASSY, fuel injection	2-02	39-1~31
MM413239	PUMP ASSY, fuel injection	2-02	39-1~31
MM413254	PUMP ASSY, fuel injection	2-01	32- 2
MM413254	PUMP ASSY, fuel injection	2-02	40-1~31
MM413264	SCREEN ASSY, oil	4-01	65-28
MM413266	SCREEN ASSY, oil	4-01	65-28
MM413360	LEVER ASSY, stop	3-01	60-38
MM413360	LEVER ASSY, stop	3-01	60-38
MM413362	SPRING, return	3-01	61-40
MM413362	SPRING, return	3-01	61-40
MM413501	PUMP ASSY, hydraulic	1-05	29-35
MM413859	BLOCK SUB ASSY, cylinder	1-01	3-5~10
MM413861	BLOCK SUB ASSY, cylinder	1-01	3-5~10
MM413866	BLOCK SUB ASSY, cylinder	1-01	3-5~10
MM413888	BLOCK SUB ASSY, cylinder	1-01	3-5~10
MM413888	BLOCK SUB ASSY, cylinder	1-01	3-5~10
MM413894	BLOCK SUB ASSY, cylinder	1-01	3-5~10
MM413903	TOOL SET	9-01	115-1~7
MM413939	PANEL ASSY, instrument	8-01	111-9~15
MM413940	PANEL, instrument	8-01	111- 9
MM430113	SHAFT, idler	1-01	4-12
MM430130	PIPE, rubber (5X35)	2-01	36-39
MM430131	PIPE, rubber (5X80)	2-01	35-37
MM430145	BEARING, small end	1-04	23- 7

## PART No. INDEX

Part No.	Part Name	Fig. No.	Page-Key No.
MM430174	SCREEN ASSY, oil	4-01	65-28
MM430176	SCREEN ASSY, oil	4-01	65-28
MM430176	SCREEN ASSY, oil	4-01	65-28
MM430184	BLOCK SUB ASSY, cylinder	1-01	3-5~10
MM430185	BLOCK SUB ASSY, cylinder	1-01	3-5~10
MM430419	SLEEVE, speedometer driven gear	4-01	64-16
MM430441	ROD, tie	3-01	58-11
MM430598	DRIVEN UNIT, speedometer	4-01	64-15~19
MM430598	DRIVEN UNIT, speedometer	4-01	64-15~19
MM430598	DRIVEN UNIT, speedometer	4-01	64-15~19
MM430613	GUIDE, oil level gauge	1-01	3- 3
MM430614	CLAMP (B)	2-01	34-18
MM430614	CLAMP (B)	2-01	34-18
MM430623	OIL INLET	4-01	66-38
MM430637	WEIGHT ASSY, governor	3-01	57- 5
MM430703	CLAMP (A)	2-01	34-19
MM430703	CLAMP (A)	2-01	34-19
MM430740	SHAFT ASSY, sliding	3-01	57-6A
MM430806	PIPE, rubber (5X110)	2-01	36-38
MM430859	GEAR, crankshaft	1-04	24- 9
MM430867	FLYWHEEL ASSY	1-04	25-19, 20
MM430927	SHAFT ASSY, sliding	3-01	57- 6
MM430927	SHAFT ASSY, sliding	3-01	57- 6
MM430954	PIPE ASSY, fuel injection No.1	2-01	33-14
MM430954	PIPE ASSY, fuel injection No.1	2-01	33-14
MM430955	PIPE ASSY, fuel injection No.2	2-01	33-15
MM430955	PIPE ASSY, fuel injection No.2	2-01	33-15
MM430956	PIPE ASSY, fuel injection No.3	2-01	33-16
MM430956	PIPE ASSY, fuel injection No.3	2-01	33-16
MM430957	PIPE ASSY, fuel injection No.4	2-01	33-17
MM430957	PIPE ASSY, fuel injection No.4	2-01	34-17
MM431282	RELAY, glow	8-01	112-19
MM431350	TOOL SET	9-01	115-1~8
MM431351	BAG, tool	9-01	115- 1
MM431364	DRIVEN UNIT, speedometer	4-01	64-15~19
MM431365	GEAR, speedometer driven	4-01	64-18
MM431416	CAMSHAFT, fuel injection pump	1-05	27- 9
MM431417	SUPPORT, engine	1-01	8-41
MM431423	PIPE ASSY, fuel injection No.1	2-01	33-14A
MM431424	PIPE ASSY, fuel injection No.2	2-01	33-15A
MM431425	PIPE ASSY, fuel injection No.3	2-01	33-16A
MM431426	PIPE ASSY, fuel injection No.4	2-01	34-17A
MM431439	PLUG, glow (12V : Y-142T)	7-01	88-29
MM431535	SUPPORT, engine	1-01	8-42
MM431538	HOUSING, flywheel	1-01	7-31B
MM431538	HOUSING, flywheel	1-01	7-31B
MM431545	FAN, cooling (φ 340×6 : p)	5-01	69- 1
MM431553	SUPPORT, fuel filter	2-01	34-22A
MM431567	PIPE ASSY, fuel injection No.1	2-01	33-14
MM431568	PIPE ASSY, fuel injection No.2	2-01	33-15
MM431569	PIPE ASSY, fuel injection No.3	2-01	33-16

## PART No. INDEX

Part No.	Part Name	Fig. No.	Page-Key No.
MM431570	PIPE ASSY, fuel injection No.4	2-01	34-17
MM431579	RING SET, piston STD	1-04	21- 2
MM431601	RING SET, piston STD	1-04	21- 2
MM431602	RING SET, piston 0.25OS	1-04	21- 2
MM431603	RING SET, piston 0.50OS	1-04	22- 2
MM431604	RING SET, piston 0.75OS	1-04	22- 2
MM431631	RING SET, piston 0.25OS	1-04	22- 2
MM431632	RING SET, piston 0.50OS	1-04	22- 2
MM431633	RING SET, piston 0.75OS	1-04	22- 2
MM431762	TIMER, glow	8-01	112-20
MM431777	SWITCH ASSY, oil pressure (P05)	4-01	65-30
MM431828	NOZZLE ASSY	2-03	50-17
MM432044	PIPE, air breather	1-03	15- 2
MM432044	PIPE, air breather	1-03	15- 2
MM432045	GASKET, nozzle holder	2-01	32- 8
MM432045	GASKET, nozzle	10-01	118-23
MM432624	NOZZLE & HOLDER ASSY	2-03	50-11~18
MM432624	NOZZLE & HOLDER ASSY	2-01	32-6B
MM432739	WIRE, glow plug read	7-01	88-30
MM432804	ALTERNATOR ASSY (12V-40A) : M	7-01	86- 9
MM432804	ALTERNATOR ASSY (12V-40A) : M	7-03E	109-1~15
MM432805	GASKET	10-01	117- 2
MM432929	PISTON & PIN SET STD	1-04	19- 1
MM432930	PISTON & PIN SET 0.25OS	1-04	20- 1
MM432931	PISTON & PIN SET 0.50OS	1-04	20- 1
MM432932	PISTON & PIN SET 0.75OS	1-04	21- 1
MM432981	RING SET, piston STD	1-04	21- 2
MM432982	RING SET, piston 0.25OS	1-04	21- 2
MM432983	RING SET, piston 0.50OS	1-04	22- 2
MM432984	RING SET, piston 0.75OS	1-04	22- 2
MM433046	PISTON & PIN SET STD	1-04	19- 1
MM433047	PISTON & PIN SET 0.25OS	1-04	19- 1
MM433048	PISTON & PIN SET 0.50OS	1-04	20- 1
MM433049	PISTON & PIN SET 0.75OS	1-04	21- 1
MM433050	RING SET, piston STD	1-04	21- 2
MM433051	RING SET, piston 0.25OS	1-04	21- 2
MM433052	RING SET, piston 0.50OS	1-04	22- 2
MM433053	RING SET, piston 0.75OS	1-04	22- 2
MM433222	JOINT ASSY, water	5-01	71-22
MM433222	JOINT ASSY, water	5-01	70-6B
MM433424	PUMP ASSY, water	5-01	69- 5
MM433500	ELBOW, exhaust	6-02	82- 9
MM433586	HEAD ASSY, cylinder	1-03	15-4~7
MM433590	VALVE, intake	1-05	28-20
MM433591	VALVE, exhaust	1-05	28-21
MM433598	SPRING, governor (A)	3-01	59-23
MM433600	LEVER, governor spring	3-01	58-13
MM433621	PUMP ASSY, fuel injection	2-01	31- 2
MM433621	PUMP ASSY, fuel injection	2-02	39-1~31
MM433759	PISTON & PIN SET STD	1-04	19- 1
MM433761	HEAD ASSY, cylinder	1-03	15-4~7

## PART No. INDEX

Part No.	Part Name	Fig. No.	Page-Key No.
MM433764	PUMP ASSY, fuel injection	2-01	32- 2
MM433764	PUMP ASSY, fuel injection	2-02	39-1~31
MM433772	PUMP ASSY, fuel injection	2-01	32- 2
MM433772	PUMP ASSY, fuel injection	2-02	40-1~31
MM433921	RING SET, piston STD	1-04	21- 2
MM433922	RING SET, piston 0.25OS	1-04	22- 2
MM433923	RING SET, piston 0.50OS	1-04	22- 2
MM433996	GASKET KIT	10-01	117-1~25
MM433998	GASKET KIT	10-01	117-1~25
MM433999	GASKET KIT	10-01	117-1~25
MM434062	DIODE	7-01	88-33
MM434065	SPRING, governor (B)	3-01	59-24
MM434136	FAN, cooling (φ 325×6 : S)	5-01	69- 1
MM434152	HEAD ASSY, cylinder	1-03	15-4~7
MM434157	PISTON & PIN SET 0.25OS	1-04	20- 1
MM434158	PISTON & PIN SET 0.50OS	1-04	20- 1
MM434159	PISTON & PIN SET 0.75OS	1-04	21- 1
MM434166	SPRING, tie rod	3-01	57-10
MM434297	PUMP ASSY, fuel injection	2-01	32- 2
MM434297	PUMP ASSY, fuel injection	2-02	40-1~31
MM434439	BRACE, generator	7-01	86-13
MM434440	SPACER	7-01	85- 7
MM434493	SPACER, fan	5-01	69- 3
MM434602	BEARING SET, crankshaft STD	1-01	5-27
MM434607	BEARING SET, con rod STD	1-04	23- 8
MM434614	CAMSHAFT	1-05	27- 4
MM434729	RETAINER, oil level gauge	1-01	3-3A
MM434825	UNIT ASSY, contorol timer	7-01	88-31
MM434950	HEAD ASSY, cylinder	1-03	15-4~7
MM434950	HEAD ASSY, cylinder	1-03	15-4~7
MM434951	HEAD ASSY, cylinder	1-03	15-4~7
MM434952	HEAD ASSY, cylinder	1-03	15-4~7
MM434953	HEAD ASSY, cylinder	1-03	15-4~7
MM434954	HEAD ASSY, cylinder	1-03	15-4~7
MM435034	PISTON & PIN SET STD	1-04	19- 1
MM435035	PISTON & PIN SET STD	1-04	19- 1
MM435036	PISTON & PIN SET STD	1-04	19- 1
MM435081	ALTERNATOR ASSY (12V-40A) : M	7-01	86- 9
MM435081	ALTERNATOR ASSY (12V-40A) : M	7-03E	109-1~15
MM435181	RADIATOR ASSY	5-02	74- 8
MM435190	FILTER ASSY, fuel	2-01	34-21
MM435245	GASKET KIT	10-01	117-1~25
MM435279	FAN, cooling (φ 360×7 : S)	5-01	69-1A
MM435337	PISTON & PIN SET 0.25OS	1-04	19- 1
MM435338	PISTON & PIN SET 0.50OS	1-04	20- 1
MM435339	PISTON & PIN SET 0.75OS	1-04	20- 1
MM435340	PISTON & PIN SET 0.25OS	1-04	19- 1
MM435341	PISTON & PIN SET 0.50OS	1-04	20- 1
MM435342	PISTON & PIN SET 0.75OS	1-04	21- 1
MM435343	PISTON & PIN SET 0.25OS	1-04	20- 1
MM435344	PISTON & PIN SET 0.50OS	1-04	20- 1

## PART No. INDEX

Part No.	Part Name	Fig. No.	Page-Key No.
MM435345	PISTON & PIN SET 0.75OS	1-04	21- 1
MM435388	PISTON & PIN SET STD	1-04	19- 1
MM435447	BEARING SET, crankshaft 0.25US	1-01	5-27
MM435448	BEARING SET, crankshaft 0.50US	1-01	6-27
MM435449	BEARING SET, crankshaft 0.75US	1-01	6-27
MM435462	BEARING SET, con rod 0.25US	1-04	23- 8
MM435463	BEARING SET, con rod 0.50US	1-04	24- 8
MM435464	BEARING SET, con rod 0.75US	1-04	24- 8
MM435487	PUMP ASSY, hydraulic	1-05	29-35
MM435568	PUMP ASSY, fuel injection	2-01	31- 2
MM435568	PUMP ASSY, fuel injection	2-02	39-1~31
MM435569	PUMP ASSY, fuel injection	2-01	32- 2
MM435569	PUMP ASSY, fuel injection	2-02	40-1~31
MM435575	SPRING, tie rod	3-01	57-10
MM435725	PUMP ASSY, fuel injection	2-01	32- 2
MM435725	PUMP ASSY, fuel injection	2-02	40-1~31
MM435745	UNIT ASSY, contorol timer	7-01	88-31
MM435752	ALTERNATOR ASSY (12V-40A) : M	7-01	86- 9
MM435752	ALTERNATOR ASSY (12V-40A) : M	7-03E	109-1~15
MM435944	PUMP ASSY, fuel injection	2-01	32- 2
MM435944	PUMP ASSY, fuel injection	2-02	40-1~31
MM436057	BELT, fan (HM : L=925)	5-01	71-25
MM436278	PULLEY, crankshaft	1-04	24-11A
MM436289	CLEANER ASSY, air	6-01	77-1~7
MM436294	COVER starter	6-02	82-23
MM436330	GAUGE, oil level	1-01	7-38A
MM436473	GAUGE, oil level	1-01	7-39
MM436474	PIPE ASSY, fuel return	2-01	35-36
MM436600	GASKET, cylinder head	10-01	118-17
MM436608	SERVICE KIT, stater bearing	7-02B	96-23
MM436618	PISTON & PIN SET STD	1-04	19- 1
MM436620	PISTON & PIN SET 0.25OS	1-04	19- 1
MM436620	PISTON & PIN SET 0.50OS	1-04	20- 1
MM436621	PISTON & PIN SET 0.75OS	1-04	21- 1
MM436658	GASKET, cylinder head	1-03	16- 8
MM436658	GASKET, cylinder head	10-01	118-17
MM436741	PULLEY, crankshaft	1-04	24-11A
MM436818	PUMP ASSY, fuel injection	2-01	31- 2
MM436818	PUMP ASSY, fuel injection	2-02	39-1~31
MM436829	PUMP ASSY, fuel injection	2-01	31- 2
MM436829	PUMP ASSY, fuel injection	2-02	39-1~31
MM436926	LABEL, model	1-03	17-23
MM436927	LABEL, model	1-03	17-23
MM436929	PUMP ASSY, fuel injection	2-01	31- 2
MM436929	PUMP ASSY, fuel injection	2-02	39-1~31
MM436930	PUMP ASSY, fuel injection	2-01	31- 2
MM436930	PUMP ASSY, fuel injection	2-02	39-1~31
MM436941	GASKET, cylinder head	1-03	16- 8
MM436942	GASKET, cylinder head	1-03	16- 8
MM437137	SUPPORT, nozzle	2-01	32- 9
MM437140	COLLAR, union	2-01	32- 4

## PART No. INDEX

Part No.	Part Name	Fig. No.	Page-Key No.
MM437174	BLOCK SUB ASSY, cylinder	1-01	3-5~10
MM437176	PUMP ASSY, fuel injection	2-01	32- 2
MM437176	PUMP ASSY, fuel injection	2-02	40-1~31
MM437177	PUMP ASSY, fuel injection	2-01	32- 2
MM437177	PUMP ASSY, fuel injection	2-02	40-1~31
MM437198	JOINT, T	2-01	36-42B
MM437204	PISTON & PIN SET STD	1-04	19- 1
MM437292	BLOCK SUB ASSY, cylinder	1-01	3-5~10
MM437313	BEARING SET, crankshaft STD	1-01	5-27
MM437313	BEARING SET, crankshaft STD	1-01	5-27
MM437313	BEARING SET, crankshaft STD	1-01	5-27
MM437314	GASKET, cylinder head	1-03	16- 8
MM437314	GASKET, cylinder head	10-01	118-17
MM437369	PISTON & PIN SET 0.250S	1-04	20- 1
MM437370	PISTON & PIN SET 0.500S	1-04	20- 1
MM437371	PISTON & PIN SET 0.250S	1-04	20- 1
MM437372	PISTON & PIN SET 0.500S	1-04	20- 1
MM437480	BLOCK SUB ASSY, cylinder	1-01	3-5~10
MM437649	GASKET KIT	10-01	117-1~25
MM437666	PUMP ASSY, fuel injection	2-01	31- 2
MM437666	PUMP ASSY, fuel injection	2-02	39-1~31
MM437667	PUMP ASSY, hydraulic	1-05	29-35
MM437668	PUMP ASSY, hydraulic	1-05	29-35
MM437743	FLYWHEEL ASSY	1-04	25-19, 20
MM437785	PIPE ASSY, fuel return	2-01	35-36
MM437827	PAN ASSY, oil	1-02	11-1~3
MM437884	BEARING SET, crankshaft 0.25US	1-01	5-27
MM437884	BEARING SET, crankshaft 0.25US	1-01	5-27
MM437884	BEARING SET, crankshaft 0.25US	1-01	5-27
MM437885	BEARING SET, crankshaft 0.50US	1-01	6-27
MM437885	BEARING SET, crankshaft 0.50US	1-01	6-27
MM437885	BEARING SET, crankshaft 0.50US	1-01	6-27
MM437886	BEARING SET, crankshaft 0.75US	1-01	6-27
MM437886	BEARING SET, crankshaft 0.75US	1-01	6-27
MM437886	BEARING SET, crankshaft 0.75US	1-01	6-27
MM437982	BEARING SET, con rod STD	1-04	23- 8
MM437982	BEARING SET, con rod STD	1-04	23- 8
MM437982	BEARING SET, con rod STD	1-04	23- 8
MM437983	BEARING SET, con rod 0.25US	1-04	23- 8
MM437983	BEARING SET, con rod 0.25US	1-04	23- 8
MM437983	BEARING SET, con rod 0.25US	1-04	23- 8
MM437984	BEARING SET, con rod 0.50US	1-04	23- 8
MM437984	BEARING SET, con rod 0.50US	1-04	24- 8
MM437984	BEARING SET, con rod 0.50US	1-04	24- 8
MM437985	BEARING SET, con rod 0.75US	1-04	24- 8
MM437985	BEARING SET, con rod 0.75US	1-04	24- 8
MM437985	BEARING SET, con rod 0.75US	1-04	24- 8
MM437991	BEARING, ball	1-04	25-21
MM500100	SCREW, hollow	2-02	42-19
MM500114	WASHER	2-02	42-20
MM500135	PIN, pressure	2-03	49- 7

## PART No. INDEX

Part No.	Part Name	Fig. No.	Page-Key No.
MM500136	SPRING, pressure	2-03	49- 6
MM500137	PIECE, distance	2-03	49- 8
MM500224	HOLDER, delivery valve	2-02	40- 2
MM500227	VALVE SUB ASSY, delivery	2-02	40- 5
MM500228	ELEMENT SUB ASSY, pump	2-02	41- 6
MM500229	SLEEVE, plunger control	2-02	41- 7
MM500230	TAPPET SUB ASSY	2-02	41-10
MM500231	PIN, tappet guide	2-02	41-14
MM500232	PLATE	2-02	41-15
MM500299	SHIM, plate (0.6t)	2-02	42-21
MM500309	SHIM, plate (0.2t)	2-02	42-21
MM500310	SHIM, plate (0.3t)	2-02	42-21
MM500311	SHIM, plate (0.4t)	2-02	42-21
MM500312	SHIM, plate (0.5t)	2-02	42-21
MM500314	SHIM, plate (0.25t)	2-02	42-21
MM500315	SHIM, plate (0.35t)	2-02	42-21
MM500316	SEAT, spring lower	2-02	41-12
MM500336	GASKET, delivery valve	2-02	40- 4
MM500360	SPRING, pump plunger	2-02	41- 9
MM500429	RIVET	2-02	47-31
MM500431	PIN, split	2-02	42-23
MM500438	O-RING	2-02	41-13
MM500441	WASHER	2-03	49- 2
MM500446	SCREW, hollow	2-02	42-19
MM500507	E-RING	2-02	45-29
MM500785	WASHER 1.3t	2-03	49- 5
MM500786	WASHER 1.35t	2-03	49- 5
MM500787	WASHER 1.4t	2-03	49- 5
MM500795	WASHER 0.9t	2-03	49- 5
MM500796	WASHER 1.0t	2-03	49- 5
MM500797	WASHER 1.1t	2-03	49- 5
MM500798	WASHER 1.2t	2-03	49- 5
MM500799	WASHER 0.1t	2-03	49- 5
MM500907	FLANGE	2-03	49- 4
MM500908	NUT, retaining	2-03	50-10
MM500909	NIPPLE	2-03	49- 1
MM500910	BODY	2-03	49- 3
MM500928	WASHER, plate	2-02	42-24
MM501046	VALVE SUB ASSY, delivery	2-02	40- 5
MM501047	SPRING, delivery valve	2-02	40- 3
MM501060	STOPPER mark : 66	2-02	43-26
MM501061	STOPPER mark : 69	2-02	43-26
MM501062	STOPPER mark : 72	2-02	43-26
MM501063	STOPPER mark : 75	2-02	43-26
MM501064	STOPPER mark : 78	2-02	43-26
MM501065	STOPPER mark : 81	2-02	43-26
MM501066	STOPPER mark : 84	2-02	43-26
MM501067	STOPPER mark : 87	2-02	43-26
MM501070	HOUSING SUB ASSY, pump	2-02	40- 1
MM501070	HOUSING SUB ASSY, pump	2-02	40- 1
MM501071	ELEMENT SUB ASSY, pump	2-02	41- 6



## PART No. INDEX

Part No.	Part Name	Fig. No.	Page Key No.
MM501072	RACK ASSY, control	2-02	41-11
MM501073	SPRING, return	2-02	42-22
MM501074	SPRING, return	2-02	42-22
MM501074	SPRING, return	2-02	42-22
MM501076	VALVE SUB ASSY, delivery	2-02	40- 5
MM501077	PLATE ASSY, adjusting	2-02	41-16
MM501098	SEAT, spring upper	2-02	41- 8
MM501100	SCREW, hollow	2-03	49-1A
MM501152	SCREW, air breather	2-02	41-18
MM501161	SPRING, delivery valve	2-02	40- 3
MM501174	PLATE, name	2-02	46-30
MM501174	PLATE, name	2-02	46-30
MM501179	ELEMENT SUB ASSY, pump	2-02	41- 6
MM501216	RACK ASSY, control	2-02	41-11
MM501216	RACK ASSY, control	2-02	41-11
MM501240	FLANGE	2-03	49- 4
MM501242	PLATE, name	2-02	46-30
MM501242	PLATE, name	2-02	46-30
MM501244	BOLT, with washer	2-02	41-17
MM501245	BODY	2-03	49- 3
MM501246	SHIM, plate (0.45t)	2-02	42-21
MM501247	SPRING, return	2-02	42-22
MM501253	HOUSING SUB ASSY, pump	2-02	40- 1
MM501254	ELEMENT SUB ASSY, pump	2-02	41- 6
MM501255	RACK ASSY, control	2-02	41-11
MM501255	RACK ASSY, control	2-02	41-11
MM501256	SPRING, angleich set	2-02	45-28
MM501257	PLATE, angleich set mark : 1	2-02	45-27
MM501258	PLATE, angleich set mark : 2	2-02	45-27
MM501259	PLATE, angleich set mark : 3	2-02	45-27
MM501260	PLATE, angleich set mark : 4	2-02	45-27
MM501261	PLATE, angleich set mark : 5	2-02	45-27
MM501262	PLATE, smoke set mark : 51	2-02	44-26A
MM501263	PLATE, smoke set mark : 53	2-02	44-26A
MM501264	PLATE, smoke set mark : 55	2-02	44-26A
MM501265	PLATE, smoke set mark : 57	2-02	44-26A
MM501266	PLATE, smoke set mark : 59	2-02	44-26A
MM501267	PLATE, smoke set mark : 61	2-02	44-26A
MM501268	PLATE, smoke set mark : 63	2-02	44-26A
MM501269	PLATE, smoke set mark : 65	2-02	44-26A
MM501270	PLATE, smoke set mark : 67	2-02	44-26A
MM501271	PLATE, smoke set mark : 69	2-02	44-26A
MM501272	PLATE, smoke set mark : 71	2-02	44-26A
MM501273	PLATE, smoke set mark : 73	2-02	44-26A
MM501274	PLATE, smoke set mark : 75	2-02	45-26A
MM501275	PLATE, smoke set mark : 77	2-02	45-26A
MM501276	BODY	2-03	49-3A
MM501310	PLATE, name	2-02	46-30
MM501310	PLATE, name	2-02	46-30
MM501316	PLATE, name	2-02	46-30
MM501364	SHIM, plate (0.55t)	2-02	42-21

## PART No. INDEX

Part No.	Part Name	Fig. No.	Page-Key No.
MM501365	SHIM, plate (0.65t)	2-02	42-21
MM501382	SPRING, angleich set	2-02	45-28
MM501386	PLATE, smoke set mark : 79	2-02	45-26A
MM501387	PLATE, smoke set mark : 81	2-02	45-26A
MM501459	SPRING, return	2-02	42-22
MM501461	PLATE, name	2-02	46-30
MM501464	PLATE, name	2-02	46-30
MM501488	PLATE, name	2-02	46-30
MM501488	PLATE, name	2-02	46-30
MM501496	E-RING	2-02	42-25
MM501497	PLATE, angleich set mark : 6	2-02	45-27
MM501498	PLATE, angleich set mark : 7	2-02	45-27
MM501499	PLATE, angleich set mark : 8	2-02	45-27
MM501500	PLATE, angleich set mark : 9	2-02	45-27
MM501501	PLATE, angleich set mark : 10	2-02	45-27
MM501519	PLATE, name	2-02	46-30
MM501519	PLATE, name	2-02	46-30
MM501562	PLATE, smoke set mark : 52	2-02	44-26A
MM501563	PLATE, smoke set mark : 54	2-02	44-26A
MM501564	PLATE, smoke set mark : 56	2-02	44-26A
MM501565	PLATE, smoke set mark : 58	2-02	44-26A
MM501566	PLATE, smoke set mark : 60	2-02	44-26A
MM501567	PLATE, smoke set mark : 62	2-02	44-26A
MM501568	PLATE, smoke set mark : 64	2-02	44-26A
MM501569	PLATE, smoke set mark : 66	2-02	44-26A
MM501570	PLATE, smoke set mark : 68	2-02	44-26A
MM501571	PLATE, smoke set mark : 70	2-02	44-26A
MM501572	PLATE, smoke set mark : 72	2-02	44-26A
MM501573	PLATE, smoke set mark : 74	2-02	45-26A
MM501574	PLATE, smoke set mark : 76	2-02	45-26A
MM501575	PLATE, smoke set mark : 78	2-02	45-26A
MM501576	PLATE, smoke set mark : 80	2-02	45-26A
MM501599	PLATE, name	2-02	47-30
MM501605	STOPPER mark : 68	2-02	42-26
MM501606	STOPPER mark : 70	2-02	43-26
MM501607	STOPPER mark : 71	2-02	43-26
MM501608	STOPPER mark : 73	2-02	43-26
MM501609	STOPPER mark : 74	2-02	43-26
MM501610	STOPPER mark : 76	2-02	43-26
MM501611	STOPPER mark : 77	2-02	43-26
MM501612	STOPPER mark : 79	2-02	43-26
MM501613	STOPPER mark : 80	2-02	43-26
MM501614	STOPPER mark : 82	2-02	43-26
MM501615	STOPPER mark : 83	2-02	43-26
MM501616	STOPPER mark : 85	2-02	43-26
MM501617	STOPPER mark : 86	2-02	43-26
MM501618	STOPPER mark : 88	2-02	43-26
MM501666	PLATE, name	2-02	46-30
MM501676	SPRING, return	2-02	42-22
MM501747	PLATE, angleich set mark : 11	2-02	45-27
MM501748	PLATE, angleich set mark : 12	2-02	45-27

## PART No. INDEX

Part No.	Part Name	Fig. No.	Page-Key No.
MM501754	HOLDER, delivery valve	2-02	40- 2
MM501773	WASHER (1.2t)	2-03	50-12
MM501774	WASHER (1.25t)	2-03	50-12
MM501775	WASHER (1.3t)	2-03	50-12
MM501776	WASHER (1.35t)	2-03	50-12
MM501777	WASHER (1.4t)	2-03	50-12
MM501778	WASHER (1.45t)	2-03	50-12
MM501779	WASHER (1.5t)	2-03	50-12
MM501780	WASHER (1.55t)	2-03	50-12
MM501781	WASHER (1.6t)	2-03	50-12
MM501782	WASHER (1.65t)	2-03	50-12
MM501783	WASHER (1.7t)	2-03	50-12
MM501784	WASHER (1.75t)	2-03	50-12
MM501785	WASHER (1.8t)	2-03	50-12
MM501786	PIN, pressure	2-03	50-14
MM501787	SPRING, pressure	2-03	50-13
MM501788	NUT, nozzle retaining	2-03	50-18
MM501789	PACKING, tip	2-03	50-16
MM501790	PIN, straight	2-03	50-15
MM501861	BODY SUB ASSY	2-03	50-11
MM501862	VALVE SUB ASSY, delivery	2-02	40- 5
MM501891	PLATE, name	2-02	46-30
MM501896	ELEMENT SUB ASSY, pump	2-02	41- 6
MM501960	PLATE, name	2-02	46-30
MM501961	VALVE SUB ASSY, delivery	2-02	40- 5
MM501980	VALVE SUB ASSY, delivery	2-02	40- 5
MM502264	BEARING, front	7-03B	101- 6
MM502264	BEARING	7-03C	103- 6
MM502298	ROTOR ASSY	7-03D	105- 7
MM502298	ROTOR ASSY	7-03D	105- 7
MM502298	ROTOR ASSY	7-03A	99- 7
MM502299	STATOR	7-03A	99- 9
MM502329	LEVER ASSY	7-02A	91- 3
MM502329	LEVER ASSY	7-02A	91- 3
MM502330	SPRING SET	7-02A	91- 4
MM502331	BRACKET ASSY, center	7-02A	91- 5
MM502331	BRACKET ASSY, center	7-02A	91- 5
MM502332	BOLT, through	7-02A	91- 7
MM502332	BOLT, through	7-02A	91- 7
MM502333	ARMATURE SET	7-02A	91- 8
MM502333	ARMATURE SET	7-02A	91- 8
MM502334	BEARING, front	7-02A	92- 9
MM502334	BEARING, front	7-02A	92- 9
MM502335	BEARING, rear	7-02A	92-10
MM502335	BEARING, rear	7-02A	92-10
MM502340	NUT SET	7-03B	101- 1
MM502340	NUT SET	7-03C	103- 1
MM502340	NUT SET	7-03D	105- 1
MM502340	NUT SET	7-03D	105- 1
MM502340	NUT SET	7-03E	109- 1
MM502340	NUT SET	7-03A	99- 1

## PART No. INDEX

Part No.	Part Name	Fig. No.	Page-Key No.
MM502341	GEAR	7-02A	92-17
MM502341	GEAR	7-02A	92-17
MM502342	COVER SET	7-02A	92-18
MM502342	COVER SET	7-02A	92-18
MM502346	BRACKET, rear	7-02A	93-22
MM502346	BRACKET, rear	7-02A	93-22
MM502347	BOLT, through	7-02A	92-11
MM502347	BOLT, through	7-02A	92-11
MM502349	SCREW SET	7-03C	103- 3
MM502349	SCREW SET	7-03D	105- 3
MM502349	SCREW SET	7-03D	105- 3
MM502350	STATOR	7-03C	103- 9
MM502351	BRACKET ASSY, rear	7-03C	103-10
MM502352	RECTIFIER ASSY	7-03C	103-15
MM502353	HOLDER ASSY, brush	7-03C	103-12
MM502354	BRACKET ASSY, front	7-03C	103- 4
MM502355	PULLEY ASSY	7-03C	103- 2
MM502395	SHAFT, ASSY, clutch set	7-02A	92-12
MM502395	SHAFT ASSY, clutch set	7-02A	92-12
MM502396	PINION SET	7-02A	92-13
MM502396	PINION SET	7-02A	92-13
MM502397	YOKE ASSY	7-02A	93-19
MM502397	YOKE ASSY	7-02A	93-19
MM502398	BRACKET ASSY, front	7-02A	91- 2
MM502398	BRACKET ASSY, front	7-02A	91- 2
MM502414	RECTIFIER ASSY	7-03B	101-16
MM502415	BRACKET ASSY, rear	7-03B	101-10
MM502424	BRACKET ASSY, front	7-03D	105- 4
MM502424	BRACKET ASSY, front	7-03D	105- 4
MM502436	BRACKET ASSY, front	7-02B	95- 2
MM502438	SHAFT ASSY, clutch set	7-02B	95-11
MM502439	PINION SET	7-02B	95-12
MM502440	YOKE ASSY	7-02B	95-18
MM502441	BRACKET ASSY, center	7-02B	95- 5
MM502442	GEAR SET	7-02B	95-14
MM502443	GEAR	7-02B	95-16
MM502444	PACKING	7-02B	96-22
MM502452	BRACKET ASSY, front	7-02B	95- 2
MM502453	YOKE ASSY	7-02B	95-18
MM502461	SWITCH ASSY	7-02A	91- 6
MM502461	SWITCH ASSY	7-02A	91- 6
MM502465	SWITCH ASSY	7-02A	91- 6
MM502484	BRACKET ASSY, front	7-02A	91- 2
MM502485	LEVER ASSY	7-02A	91- 3
MM502487	SHAFT ASSY, clutch set	7-02A	92-12
MM502504	BRACKET ASSY, front	7-03E	109- 4
MM502505	ROTOR ASSY	7-03E	109- 7
MM502506	STATOR ASSY	7-03E	109- 9
MM502507	RECTIFIER ASSY	7-03E	109-15
MM502508	PULLEY SET	7-03E	109- 2
MM502509	BRACKET ASSY, rear	7-03E	109-10

## PART No. INDEX

Part No.	Part Name	Fig. No.	Page-Key No.
MM502525	BRACKET ASSY, rear	7-03E	109-10
MM502532	REGULATOR ASSY	7-03E	109-12
MM502533	BRACKET ASSY, rear	7-03E	109-10
MM510020	O-RING	2-04	53- 4
MM510021	ELEMENT ASSY	6-01	78-16
MM510022	COVER ASSY	6-01	78-15
MM510024	PAN ASSY	6-01	78-18
MM510047	BOLT ASSY, center	6-01	77- 4
MM510049	WASHER, seal	6-01	77- 3
MM510069	BODY ASSY	6-01	77- 1
MM510070	PAN ASSY, dust	6-01	77- 6
MM510071	PLATE ASSY, partition	6-01	77- 5
MM510072	ELEMENT	6-01	77- 2
MM510073	CAP ASSY, rain	6-01	77- 7
MM510073	CAP ASSY, rain	6-01	77- 7
MM510081	PLATE ASSY, pratition	6-01	77- 5
MM510117	BODY ASSY	6-01	77- 1
MM514022	PLATE, name	2-02	46-30
MM514023	PLATE, name	2-02	46-30
MM514041	PLATE, smoke set mark : 50	2-02	43-26A
MM514042	PLATE, smoke set mark : 49	2-02	43-26A
MM514043	ELEMENT SUB ASSY, pump	2-02	41- 6
MM514044	PLATE, name	2-02	47-30
MM514099	PLATE, name	2-02	47-30
MM514100	PLATE, name	2-02	46-30
MM514101	PLATE, name	2-02	46-30
MM514102	PLATE, name	2-02	46-30
MM514104	PLATE, name	2-02	46-30
MM514105	VALVE SUB ASSY, delivery	2-02	40- 5
MM514109	PLATE ASSY, adjusting	2-02	41-16
MM514111	PLATE, name	2-02	47-30
MM514112	PLATE, name	2-02	47-30
MM514123	PLATE, name	2-02	46-30
MS401434	STUD (7T : 8X42)	1-02	13-23
MS401434	STUD (7T : 8X42)	1-02	13-23
MS450035	WASHER, plain (8)	5-01	70-13
MS450035	WASHER, plain (8)	7-01	87-20
MS450035	WASHER, plain (8)	7-01	87-20
MS450035	WASHER, plain (8)	4-01	64-23
MS470058	CLIP (60)	1-03	17-22
MS471104	BUSHING, knock (8X9)	1-01	5-22
MS471105	BUSHING, knock (8X13)	1-01	5-23
MS471110	BUSHING, knock (12X9)	1-01	5-24
MS604026	PIPE, rubber (5X180)	2-01	36-40
MS604037	PIPE, rubber (5X360)	2-01	36-41
MS660004	CLAMP, hose (13)	2-01	36-47
MS660163	CLIP, hose (11.6)	2-01	36-47
MS660164	CLIP, hose (13.1)	2-01	36-47
MS660169	CLAMP, hose (10)	2-01	36-43A
MS661006	CLAMP, hose (15)	2-01	36-47
MS661120	PLUG, taper (PT-1/8)	4-01	63-11

## PART No. INDEX

Part No.	Part Name	Fig. No.	Page-Key No.
MS661120	PLUG, taper (PT 1/8)	1-03	16-14
MS661120	PLUG, taper (PT 1/8)	4-01	65-25
MS661121	PLUG, taper (PT-1/4)	4-01	63-10
MS661121	PLUG, taper (PT 1/4)	1-01	5-25
MS661121	PLUG, taper (PT 1/4)	1-01	5-25A
MS661122	NIPPLE, taper (PT-3/8)	5-01	70- 7
MS661122	PLUG, taper (PT 3/8)	1-03	16-15
MS661122	PLUG, taper (PT-3/8)	5-01	71-23
MS661122	PLUG, taper (PT-3/8)	5-01	70-6A
MS661123	PLUG, taper (PT 1/2)	1-02	13-28
MS661140	PLUG, taper (PT 1/8)	1-03	16-14
MS661141	PLUG, taper (PT 1/4)	1-01	5-25A
MS800516	CONNECTOR, 1 pole female	7-01	87-22
0482622500	CAP, sealing (25)	1-03	16- 6
0482622500	CAP, sealing (25)	1-01	4- 9
0482624500	CAP, sealing (45)	1-03	16- 7
0482624500	CAP, sealing (45)	1-01	4-10
0520901100	L-JOINT	8-01	112-18



MM201422