



PARTS CATALOG

Published

2010/8 (Aug.)

0CR10-G63601

Introduction

1. This parts catalog contains the previous information on the 4JH4-TE as well as the new one on the 4JH4-HTE.

	Parts catalog No.	Date of issue	Remarks
First edition	000Y00R6360	Dec. , 2005	No need
1st edition (supplement)	000Y00R6361	Aug. , 2006	

2. This parts catalog does not covers the reduction reverser and outdrive. Please refer to the separate parts catalog, (NO. 000Y00R3002 KM4A2 or 000Y00R4790 KMH4A or 000Y00F5762 SD50), which covers the reverser.

3. Standard finish color. Yanmar ecole silver metallic

Parts No. 977620-10070	1L (Packed in a can)
Parts No. 977620-40070	4L (Packed in a can)
Parts No. TOR-90090003	Spray (1 piece)

4. This parts catalog does not contain the technical data needed for maintenance service.

5. The illustrations used in this parts catalog have been simplified for clarity.

6. Specification

Model	4JH4-TE			4JH4-HTE		
Type	4-stroke, vertical, water-cooled, diesel engine					
No. of cylinder - Bore (mm) x Stroke (mm)	4 - 88 x 90					
Continuous rating kW/min ⁻¹	50.2/3101			73.6/3101		
Combustion system	Direct injection					
Starting system	Electric starting 12V-1.4kW					
Power take-off position	Flywheel side					
Cooling system	Fresh water (Filtered sea water) cooling					
Lubricating system	Forced lubrication					
Reduction reverser	SD50	KM4A2			KMH4A	
Reduction ratio	-	1.47	2.14	2.63	2.04	2.45

7. The contents of this parts catalog are subject to change without notice.

8. Be sure to use only Yanmar genuine parts for repairs. If imitation parts are used, it may cause engine defects.

Directions for the Parts Catalog.

- The parts stipulated in this Parts Catalog are not necessarily standard equipped parts.
- Parts may change without prior notice.
- The following is an example of the Parts Catalog format.

OCF10-G21601 29. FUEL INJECTION PUMP(W/BOOST)

REF.	LEV.	PARTS NO.	DESCRIPTION	Q'TY						I	R
				(A)	(B)	(C)	(D)	(E)	(F)		
1	1	729595-51390	FUEL INJECTION PUMP	1	1	1	1	1			1
1-1	1	729595-51391	FUEL INJECTION PUMP	1	1	1	1	1		N	1
		(A=E00185) (B=E00200)									
3	2	26022-060162	SCREW M 6X 16	9	9	9	9	9			
3-1	2	26022-060162	SCREW M 6X 16	4	4	4	4	4		K	
		(A=E00156) (B=E00156) (C=E00156) (D=E00156) (E=E00156)									
4	2	129470-51040	CAMSHAFT	1	1	1	1	1			
5	2	122710-51050	BEARING, ROLLER	2	2	2	2	2			
6	2	129470-51060	RETAINER	1	1	1	1	1			

Remarks

(1) BOOST COMPEMSATOR TYPE. OPTIONAL PART, TO E00155,(4JH-DT, 4JH-DTZ

① Ref. No.

The Ref. No. listed may not be in accordance with the illustration Ref. No.

(Ex.) Illustration No.

List Ref No.

1

1

(Before change) → 1-1 (After change)

For interchangeable symbols N, R and K, illustrations for new parts may be abbreviated.

② Lev. (Level)

Level indication

The numbers below indicate the level of relativity towards the main part.

1 ----- Main parts (Assembly parts)

2 ----- Sub component included in " 1 ".

3 ----- Sub component included in " 2 ".

Note) Parts that are not for sale are partially illustrated but not listed.

③ Interchangeability Mark

When a part change takes place, one of the following interchangeability symbols is indicated beside the part.

Symbol	Interchangeability	Contents note
N	Old $\begin{matrix} \leftarrow \text{Yes} \\ \text{No} \rightarrow \end{matrix}$ New	New Part is interchangeable for Old Part but Old Part is not interchangeable for New Part.
Q	Old $\begin{matrix} \leftarrow \text{No} \\ \text{Yes} \rightarrow \end{matrix}$ New	New Part is not interchangeable for Old Part but Old Part is interchangeable for New Part.
R	Old $\begin{matrix} \leftarrow \text{Yes} \\ \text{Yes} \rightarrow \end{matrix}$ New	New/ Old Parts are both interchangeable.
S	Old $\begin{matrix} \leftarrow \text{No} \\ \text{No} \rightarrow \end{matrix}$ New	New/ Old Parts are both not interchangeable.
W		Part newly added.
Z		Part discontinued.
F		Not interchangeable by a single part but interchangeable together with related parts.
K		Changes only for used parts quantities.

④ Effective Machine No.

When a part changes, the effective Machine No. will be indicated in the (A)-(F) column.

Product Symbol	Product No.	Product Symbol	Product No.
C	Clutch No. Compressor No.	F	Machine No. (Agricultural Equip.)
D	Drive No.	M	Machine No.
E	Engine No.		

Note 1) A date may follow the symbol. (Ex.) 1996.01

Note 2) "XXXXX" and "ZZZZZ" are for parts that could not be predicted or for engine models that could not be identified.

Note 3) (A=E00185) is the E (Engine Serial Number) for the column (A) model (in this case 4JH-DT) after the parts design change.

⑤ Remarks Mark

Figures or alphabets (symbols) are entered in the remarks column.

The comments (remarks) on parts that are indicated at the bottom of the illustration are the same symbols as those stated above.

CONTENTS

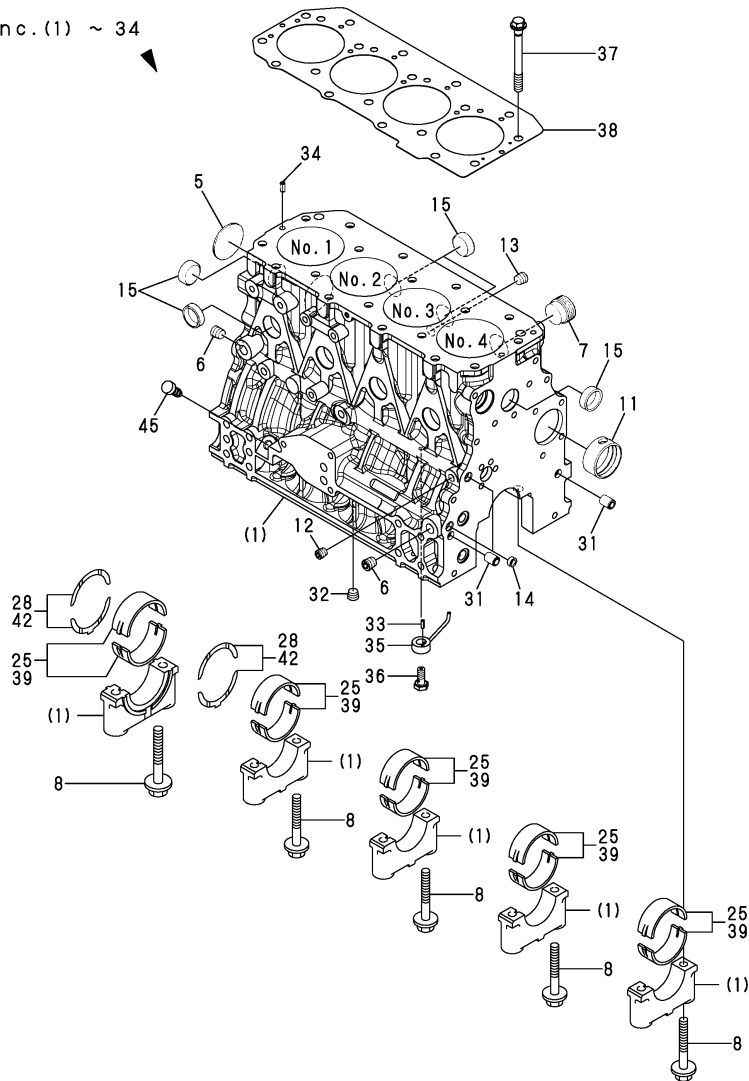
MODEL : 4JH4-(H)TE
PC NO : 0CR10-G63601

Fig.No.	GROUP NAME
4JH4-(H)TE	
1.	CYLINDER BLOCK
2.	GEAR HOUSING
3.	FLYWHEEL HOUSING
4.	MOUNTING FOOT
5.	LUB.OIL SUMP
6.	LABEL
7.	CYLINDER HEAD
8.	BONNET
9.	SUCTION MANIFOLD
10.	MIXING ELBOW
11.	TURBOCHARGER(4JH4-TE)
12.	TURBOCHARGER(4JH4-HTE)
13.	AIR COOLER
14.	CAMSHAFT & DRIVING GEAR
15.	CRANKSHAFT & FLYWHEEL
16.	PISTON & CONNECTING ROD
17.	LUB.OIL SYSTEM
18.	LUB.OIL PIPE
19.	COOLING SEA WATER PUMP
20.	COOLING FRESH WATER PUMP
21.	COOLING FRESH WATER COOLER
22.	COOLING SEA WATER PIPE(4JH4-TE)
23.	COOLING SEA WATER PIPE(4JH4-HTE)
24.	COOLING FRESH WATER PIPE
25.	C.S.W.STRAINER(OPTIONAL)
26.	BILGE PUMP(STD/OPTIONAL)
27.	BILGE PUMP(DX/OPTIONAL)
28.	FUEL INJECTION PUMP
29.	FUEL INJECTION VALVE

Fig.No.	GROUP NAME
30.	FUEL INJECTION PIPE
31.	FUEL PIPE & FUEL STRAINER
32.	FUEL TANK(OPTIONAL)
33.	CABLE SUPPORT
34.	CLUTCH
35.	COUPLING(OPTIONAL)
36.	STARTING MOTOR
37.	GENERATOR
38.	GENERATOR(60A/OPTIONAL)
39.	V-BELT COVER
40.	V-BELT COVER & GENERATOR ATTACHMENT PART(OPTIONAL)
41.	GENERATOR(130A) & GENERATOR ATTACHMENT PART(OPTIONAL)
42.	WIRE HARNESS & SENSOR
43.	INSTRUMENT PANEL(B-TYPE/OPTIONAL)
44.	INSTRUMENT PANEL(C-TYPE/OPTIONAL)
45.	TOOL
46.	GASKET SET(OPTIONAL)

Fig.1. CYLINDER BLOCK

1 inc. (1) ~ 34



OCR10-G63601 1. CYLINDER BLOCK

(A)=4JH4-TE
(B)=4JH4-HTE
(C)=

(D)=
(E)=
(F)=

REF.	LEV.	PARTS NO.	DESCRIPTION	Q'TY						I	R
				(A)	(B)	(C)	(D)	(E)	(F)		
1	1	729671-01560	BLOCK ASSY, CYLINDER	1	1						
5	3	129001-01250	PLUG, 50	1	1						
6	3	124160-01910	PLUG, PT1/4	2	2						
7	3	171051-01921	PLUG, NPTF1	1	1						
8	3	129150-02020	BOLT, METAL CAP	10	10						
11	3	129795-02411	BUSH, CAMSHAFT A	1							
11-1	3	129795-02412	BUSH, CAMSHAFT A	1	1						N
		(A=*2006.06)									
12	3	23876-010000	PLUG PT1/8,SCREW	1	1						
13	3	23876-030000	PLUG PT3/8,SCREW	1	1						
14	3	27241-120000	PLUG, 12	2	2						
15	3	27241-300000	PLUG 30	8	8						
25	2	129001-02930	MAIN BEARING SET	5							3
25-1	2	129001-02931	MAIN BEARING SET	5	5						N 3
		(A=*2006.06)									
28	2	129150-02930	BEARING, THRUST	2							
28-1	2	129150-02931	METAL ASSY, THRUST	2	2						N
		(A=*2006.06)									
31	2	129795-01950	PIPE, KNOCK	2	2						
32	2	124160-01910	PLUG, PT1/4	1	1						
33	2	22351-030010	SPRING PIN 3X10	4	4						
34	2	22351-060012	SPRING PIN 6X12	2	2						
35	1	129553-39650	NOZZLE, COOLING	4	4						
36	1	23857-030000	JOINT BOLT 3	4	4						
37	1	129150-01200	BOLT, CYLINDER HEAD	18	18						
38	1	129693-01341	GASKET, HEAD	1	1						
39	1	129150-02870	MAIN METAL US=0.25	5							1
39-1	1	129150-02871	MAIN METAL US=0.25	5	5						N 1
		(A=*2006.06)									
42	1	129150-02940	BEARING, THRUST.25OS	1							2
42-1	1	129150-02941	BEARING, THRUST.25OS	1	1						N 2
		(A=*2006.06)									
45	1	124976-34850	CAP	1	1						

Remarks

- (1) UNDER SIZED (U.S.=0.25) PART.
- (2) OVER SIZED (O.S.=0.25) PART.
- (3) REPAIR PART.

Fig.2. GEAR HOUSING

(A)=4JH4-TE
(B)=4JH4-HTE
(C)=

(D)=
(E)=
(F)=

REF.	LEV.	PARTS NO.	DESCRIPTION	QTY						I	R
				(A)	(B)	(C)	(D)	(E)	(F)		
1	1	129673-01520	HOUSING, GEAR	1	1						
3	1	129693-01520	FLANGE, GEAR CASE	1	1						
4	1	121450-01560	STUD, M8X22	1	1						
5	1	124550-01590	BOLT, M8X16	4	4						
8	1	129795-01800	SEAL, OIL	1	1						
9	1	124240-01871	COVER, PUMP	1	1						
10	1	129795-01950	PIPE, KNOCK	2	2						
11	1	24311-000160	O-RING 1A P-16.0	2	2						
12	1	26106-080162	BOLT M 8X 16 PLATED	3	3						
13	1	26106-080452	BOLT M 8X 45 PLATED	2	2						
14	1	26106-080552	BOLT M 8X 55 PLATED	3	3						
15	1	26106-080852	BOLT M 8X 85 PLATED	4	4						

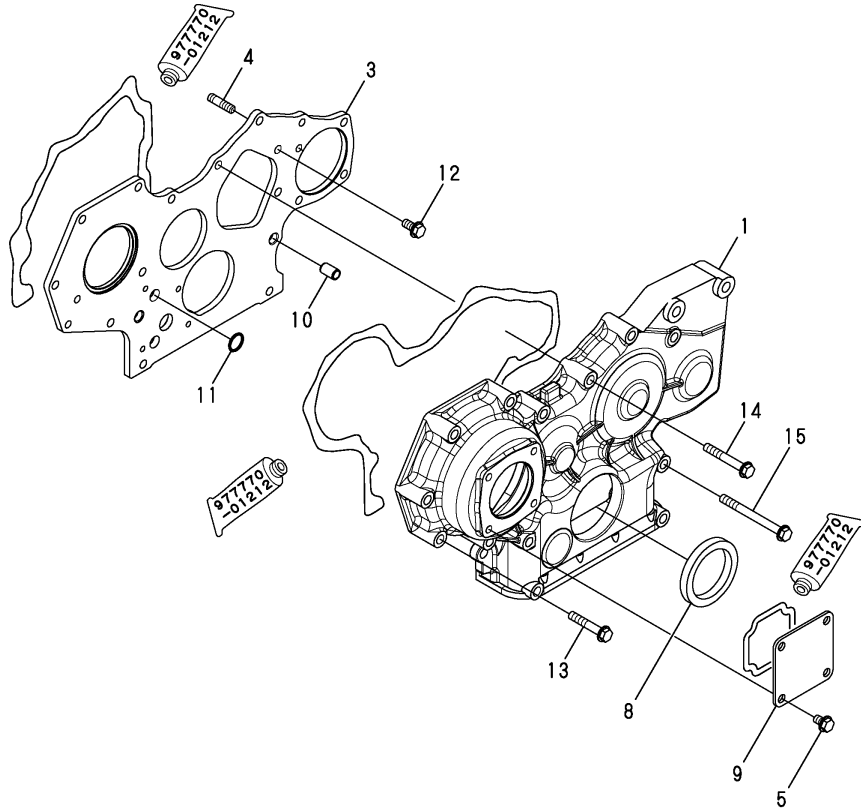


Fig.3. FLYWHEEL HOUSING

OCR10-G63601 3. FLYWHEEL HOUSING

(A)=4JH4-TE
(B)=4JH4-HTE
(C)=

(D)=
(E)=
(F)=

REF.	LEV.	PARTS NO.	DESCRIPTION	Q'TY						I	R
				(A)	(B)	(C)	(D)	(E)	(F)		
1	1	129673-01620	HOUSING, FLYWHEEL	1	1						
2	1	129795-01780	SEAL, OIL	1	1						
3	1	22137-100000	WASHER 10,POLISHED	6	6						
4	1	26206-100302	BOLT M10X30	6	6						

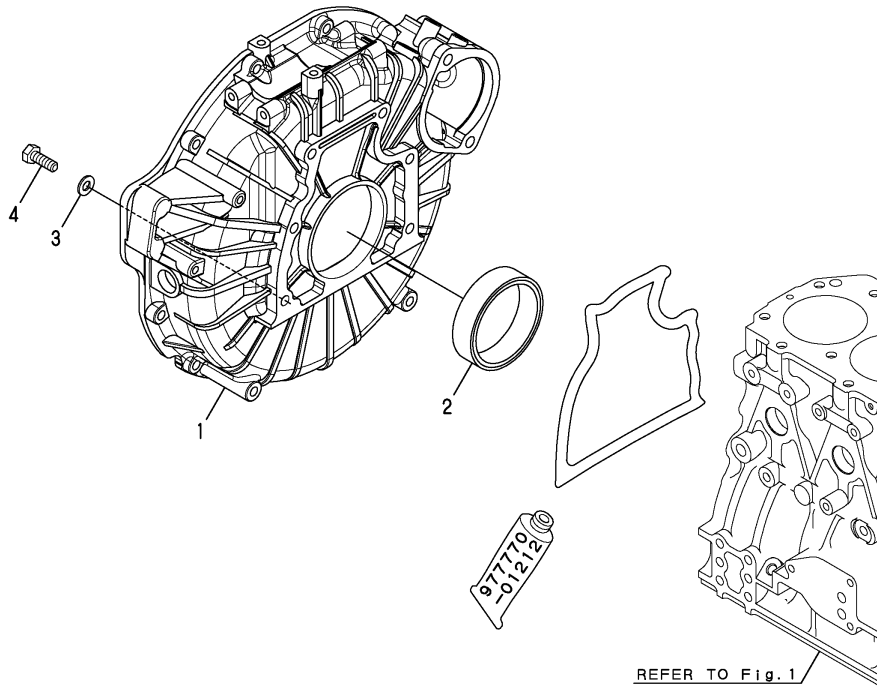
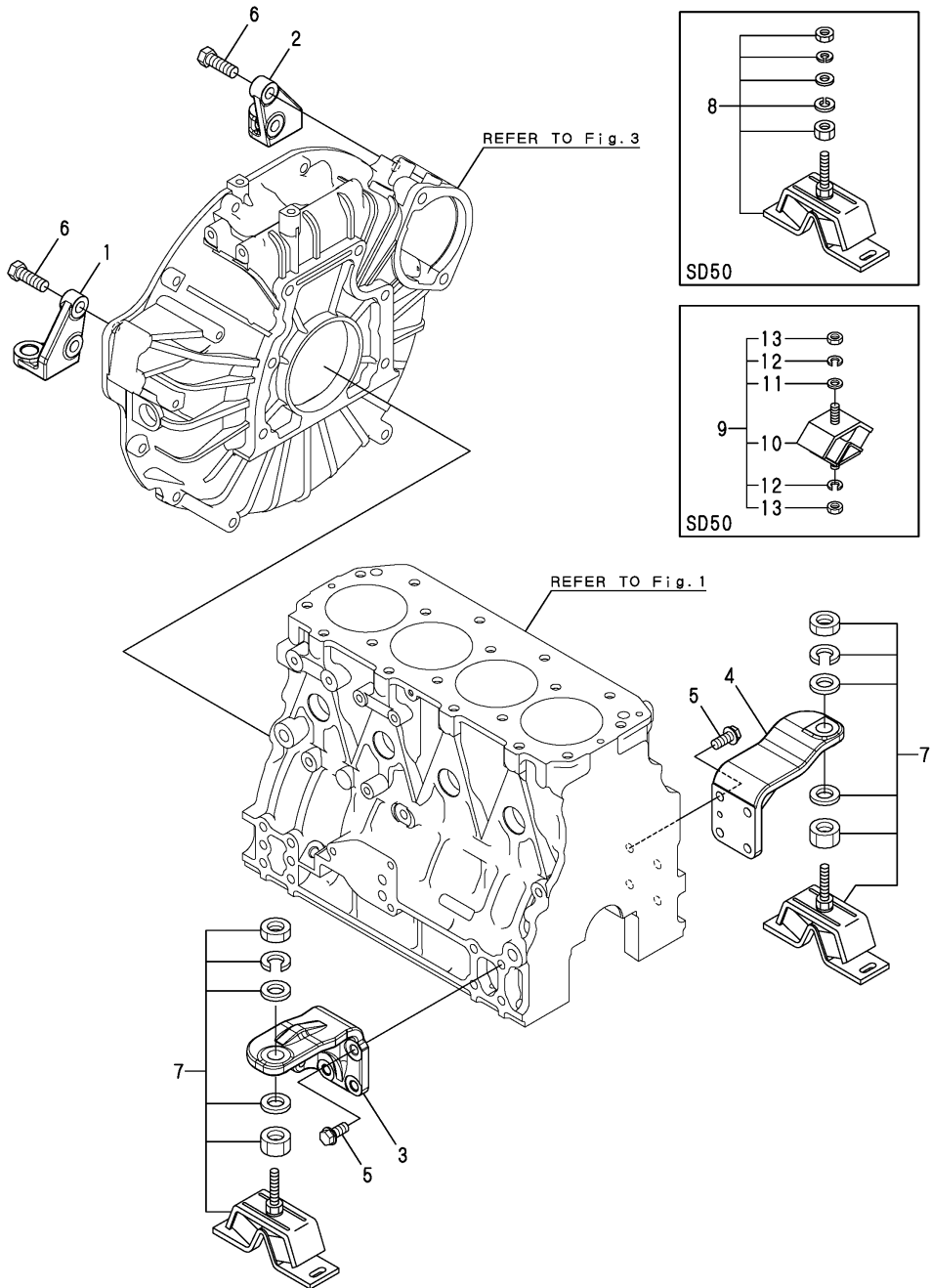


Fig.4. MOUNTING FOOT

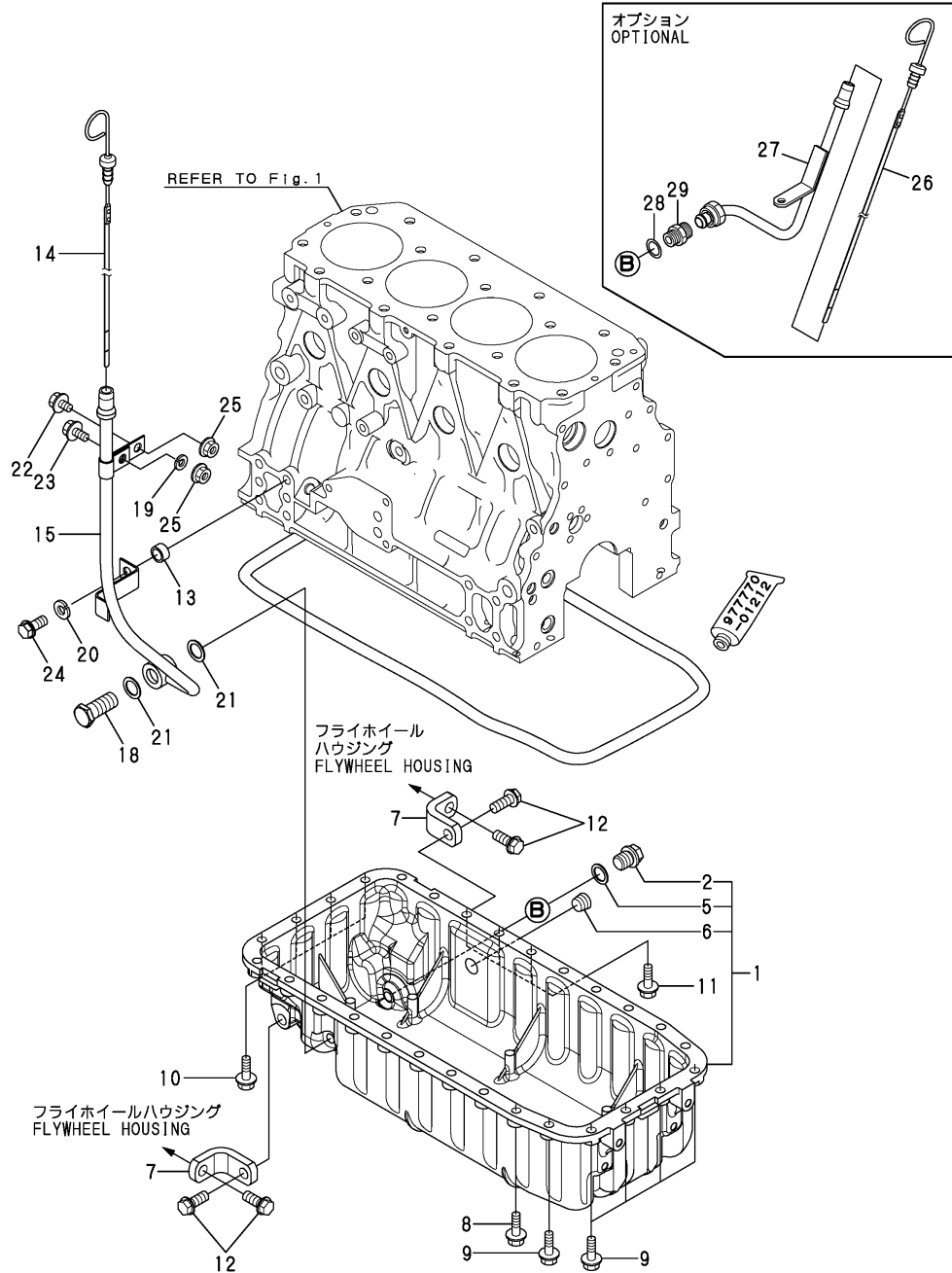


(A)=4JH4-TE
(B)=4JH4-HTE
(C)=

(D)=
(E)=
(F)=

REF.	LEV.	PARTS NO.	DESCRIPTION	QTY						I	R
				(A)	(B)	(C)	(D)	(E)	(F)		
1	1	129671-08150	FOOT, MOUNTING C	1	1						
2	1	129671-08160	FOOT, MOUNTING D	1	1						
3	1	129671-08210	FOOT, MOUNTING A	1	1						
4	1	129670-08220	FOOT, MOUNTING B	1	1						
5	1	26106-100222	BOLT M10X 22 PLATED	8	8						
6	1	26116-120352	BOLT M12X 35 PLATED	4	4						
7	1	129670-08350	MOUNTING, FLEXIBLE	4	4						
8	1	120149-08441	MOUNT, FLEXIBLE	2							
9	1	796440-08630	RUBBER ASSY, CUSHION	1							
10	2	196440-02380	ABSORBER, SHOCK	1							
11	2	196440-02390	WASHER	1							
12	2	22217-120000	SPRING WASHER 12	2							
13	2	26716-120002	NUT 12	2							

Fig.5. LUB.OIL SUMP



(A)=4JH4-TE
(B)=4JH4-HTE
(C)=

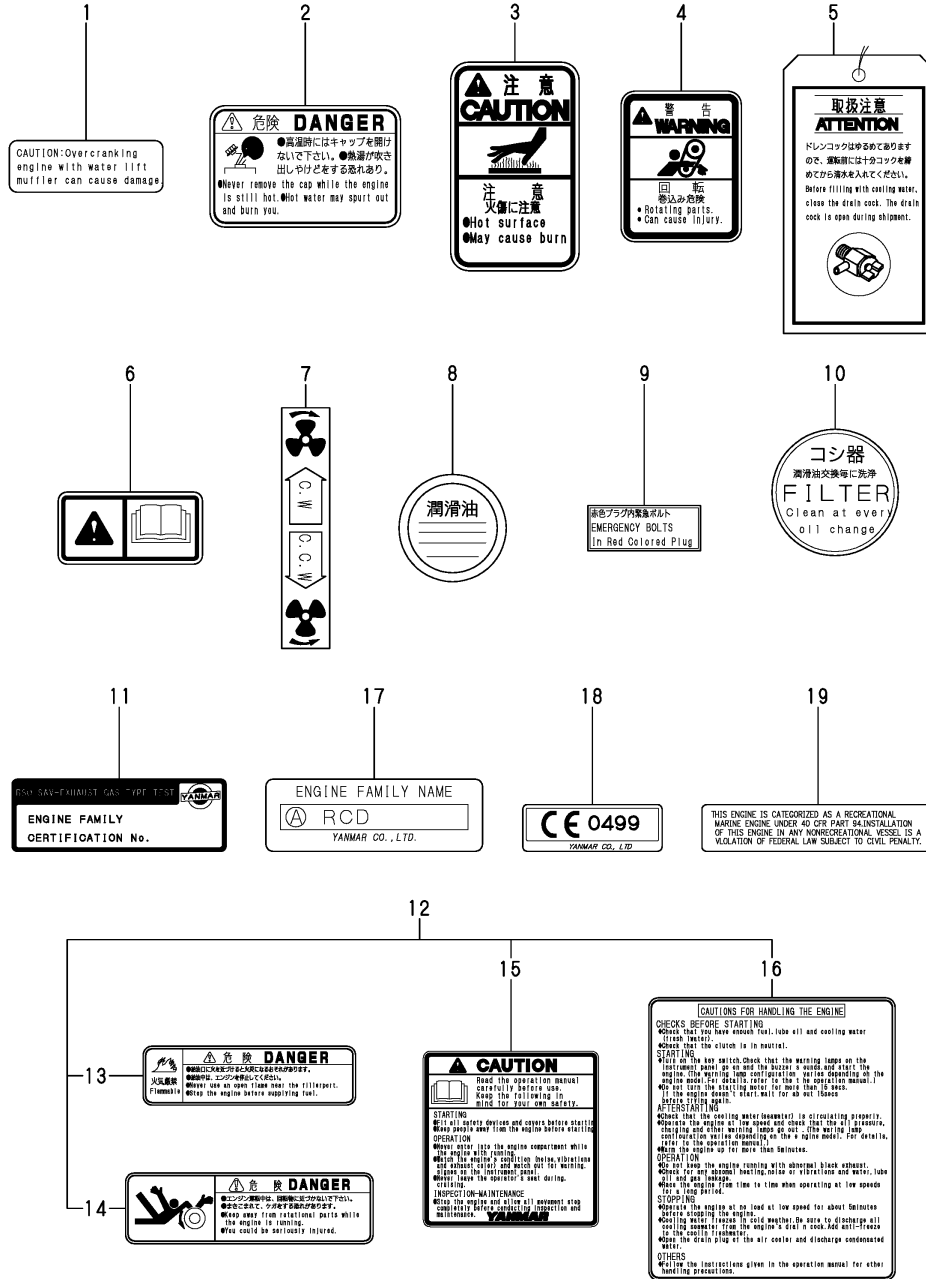
(D)=
(E)=
(F)=

REF.	LEV.	PARTS NO.	DESCRIPTION	QTY						I	R
				(A)	(B)	(C)	(D)	(E)	(F)		
1	1	129673-01700	SUMP ASSY, LUB.OIL	1	1						
2	2	105425-01690	PLUG, M16	1	1						
5	2	22190-160002	WASHER, 16	1	1						
6	2	23875-030000	PLUG PT3/8,STEEL	1	1						
7	1	129470-01710	BRACKET	2	2						
8	1	26106-080252	BOLT M 8X 25 PLATED	16	16						
9	1	26106-080252	BOLT M 8X 25 PLATED	6	6						
10	1	26106-080252	BOLT M 8X 25 PLATED	4	4						
11	1	26106-080452	BOLT M 8X 45 PLATED	2	2						
12	1	26106-100252	BOLT M10X 25 PLATED	4	4						
13	1	129301-34830	SPACER	1	1						
14	1	129473-34850	LEVEL GAUGE	1	1						
15	1	129473-34880	GUIDE, DIPSTICK	1	1						
18	1	104214-39720	BOLT, PIPE JOINT	1	1						
19	1	22217-080000	WASHER, 8	1	1						
20	1	22217-100000	SPRING WASHER 10	1	1						
21	1	23414-160000	GASKET 16, ROUND	2	2						
22	1	26106-080122	BOLT M 8X 12 PLATED	1	1						
23	1	26106-080162	BOLT M 8X 16 PLATED	1	1						
24	1	26106-100222	BOLT M10X 22 PLATED	1	1						
25	1	26306-080002	NUT, M8	2	2						
26	1	129670-34810	DIPSTICK, LUB. OIL	1	1						
27	1	129570-34880	GUIDE, DIPSTICK	1	1						
28	1	23414-160000	GASKET 16, ROUND	1	1						
29	1	23831-100000	UNION	1	1						

Fig.6. LABEL

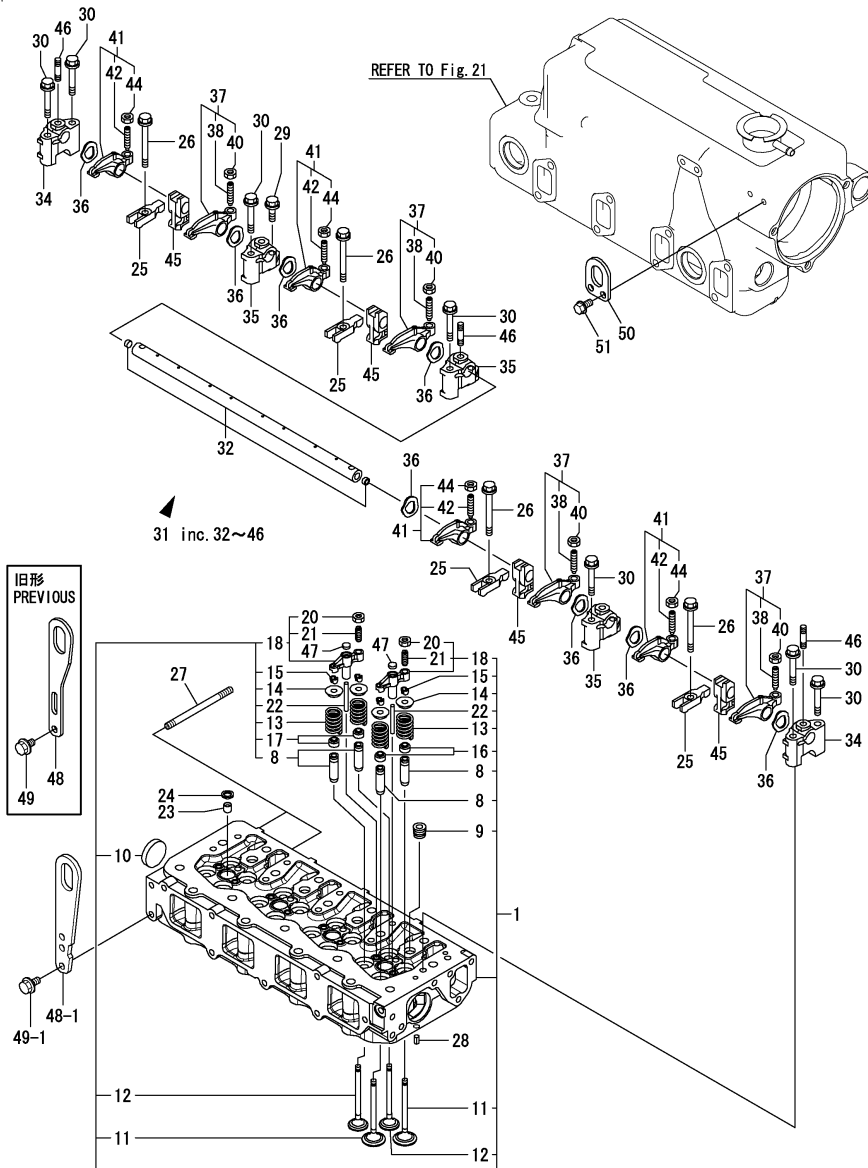
(A)=4JH4-TE
(B)=4JH4-HTE
(C)=

(D)=
(E)=
(F)=



REF.	LEV.	PARTS NO.	DESCRIPTION	QTY						I	R
				(A)	(B)	(C)	(D)	(E)	(F)		
1	1	128377-07150	LABEL, CAUTION	1	1						
2	1	128377-07260	LABEL, PRESSURE CAP	1	1						
3	1	128377-07270	LABEL	1	1						
4	1	128377-07350	LABEL, CAUTION	1	1						
5	1	123682-07852	LABEL, CW. TANK	1	1						
6	1	196630-12980	LABEL, CAUTION	1	1						
7	1	177073-02431	LABEL, DIRECTION	1	1						
8	1	177050-02811	LABEL	1	1						
9	1	177061-02811	LABEL, EMERGENCY BOLT	1	1						
10	1	177050-02821	LABEL, STRAINER	1	1						
11	1	129671-07570	LABEL, BSO2	1							
11A	1	129672-07570	LABEL, BSO2		1						
12	1	128377-07190	LABEL, LOOSE PARTS	1	1						
13	2	128377-07400	LABEL, DANGER	2	2						
14	2	128377-07420	LABEL, DANGER	1	1						
15	2	128377-07450	LABEL, CAUTION	1	1						
16	2	128377-07460	LABEL, CAUTION	1	1						
17	1	129671-07420	LABEL, RCD	1							
17A	1	129672-07420	LABEL, RCD		1						
18	1	119172-07540	LABEL, RCD-CE	1	1						W
		(A=*2006.05)									
19	1	129670-07100	LABEL, RECREATIONAL		1						

Fig.7. CYLINDER HEAD



(A)=4JH4-TE
(B)=4JH4-HTE
(C)=

(D)=
(E)=
(F)=

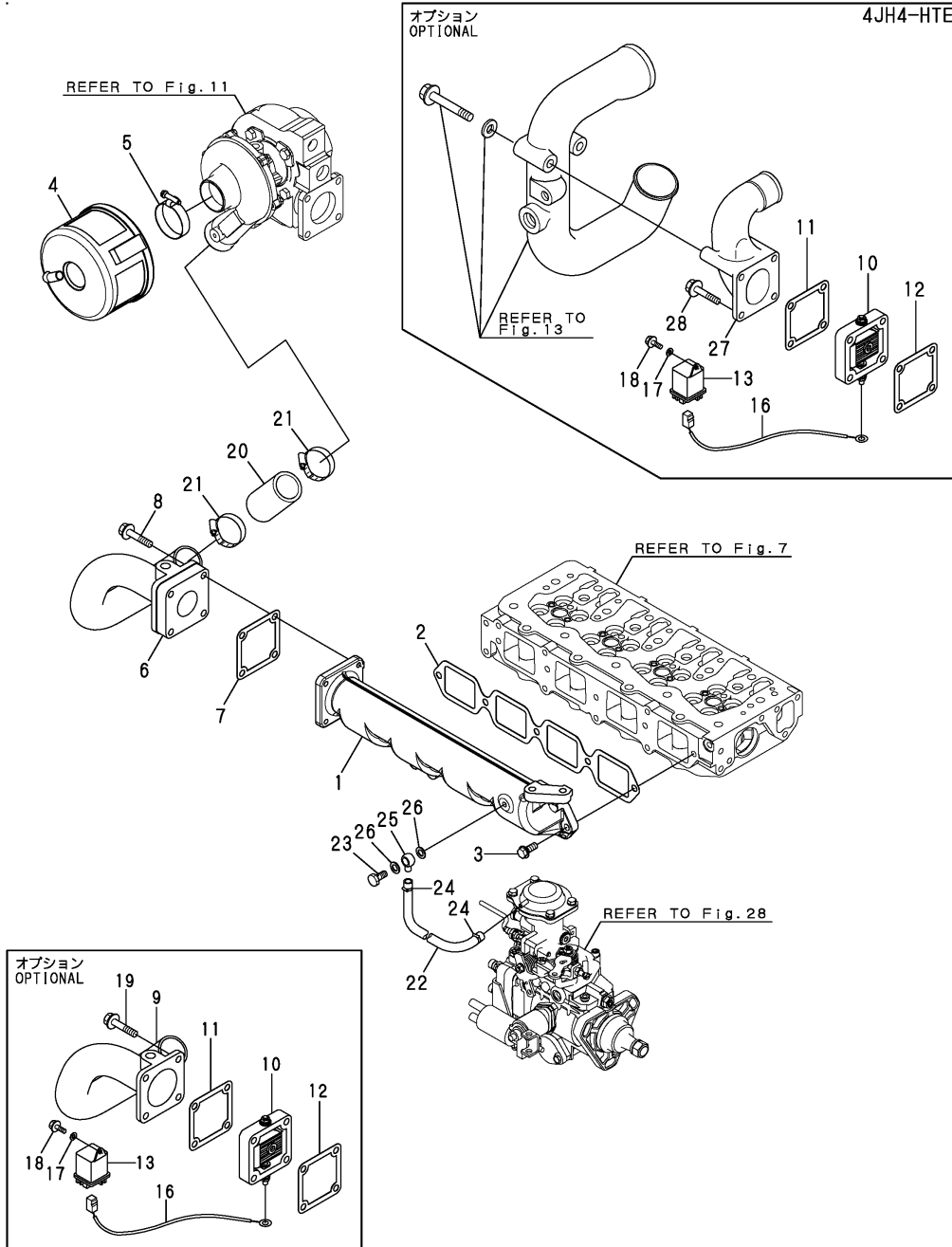
REF.	LEV.	PARTS NO.	DESCRIPTION	QTY						I	R
				(A)	(B)	(C)	(D)	(E)	(F)		
1	1	129671-11700	HEAD ASSY, CYLINDER	1							
1A	1	129672-11700	HEAD ASSY, CYLINDER		1						
8	3	119717-11800	GUIDE, VALVE	16	16						1
9	3	23876-020000	PLUG PT1/4,SCREW	4	4						
10	3	27241-400000	PLUG 40	2	2						
11	2	129672-11100	VALVE, INTAKE	8	8						
12	2	129672-11110	VALVE, EXHAUST	8	8						
13	2	129508-11130	SPRING, VALVE	16	16						
14	2	129508-11180	RETAINER, SPRING	16	16						
15	2	119717-11190	COTTER	32	32						
16	2	119717-11340	SEAL, VALVE STEM	8	8						
17	2	119717-11350	SEAL, VALVE STEM	8	8						
18	2	129672-11510	BRIDGE ASSY, VALVE	8	8						
20	3	129150-11750	NUT, M8	8	8						
21	3	123907-11830	ADJUSTER, BRIDGE	8	8						
22	2	129508-11820	GUIDE, VALVE BRIDGE	8	8						
23	1	119802-11870	PROTECTOR, NOZZLE	4	4						
24	1	119625-11880	SEAT, NOZZLE	4	4						
25	1	129508-11900	RETAINER, NOZZLE	4	4						
26	1	129907-11950	BOLT, M8X75	4	4						
27	1	129693-44300	STUD, COOLER	2	2						
28	1	22351-060012	SPRING PIN 6X12	2	2						
29	1	26106-080252	BOLT M 8X 25 PLATED	3	3						
30	1	26106-080502	BOLT M 8X 50 PLATED	7	7						
31	1	129508-11241	SHAFT ASSY, ROCKER	1	1						
32	2	129508-11250	SHAFT, ROCKER ARM	1	1						
34	2	129508-11260	SUPPORT, ARM A	2	2						
35	2	129508-11270	SUPPORT, ARM B	3	3						
36	2	129508-11280	WASHER	8	8						
37	2	129508-11650	ARM KIT, ROCKER	4	4						
38	3	129150-11230	SCREW, VALVE ADJUST	4	4						
40	3	129150-11750	NUT, M8	4	4						
41	2	129508-11660	ARM KIT, ROCKER	4	4						
42	3	129150-11230	SCREW, VALVE ADJUST	4	4						
44	3	129150-11750	NUT, M8	4	4						
45	2	129508-11920	PEDESTAL, RETAINER	4	4						
46	2	26226-080352	STUD M 8X 35 PLATED	3	3						
47	1	123907-11550	SEAT, VALVE BRIDGE	8	8						
48	1	124736-07900	LIFTER, ENGINE	1	1						Z 2
(A=*2009.05)		(B=*2009.05)									
48-1	1	129671-07900	LIFTER, ENGINE	1	1						N
(A=*2009.05)		(B=*2009.05)									
49	1	26106-080142	BOLT 8X 14 PLATED	2	2						
49-1	1	26106-080162	BOLT M 8X 16 PLATED	2	2						N
(A=*2009.05)		(B=*2009.05)									
50	1	129470-07230	LIFTER, ENGINE	1	1						
51	1	26106-080162	BOLT M 8X 16 PLATED	2	2						

Remarks
(1)REPAIR PART.
(2)APPLICATION IS PARTS OF DISCONTINUED-ANCE.
PLEASE DO NOT USE.

Fig.9. SUCTION MANIFOLD

(A)=4JH4-TE
(B)=4JH4-HTE
(C)=

(D)=
(E)=
(F)=

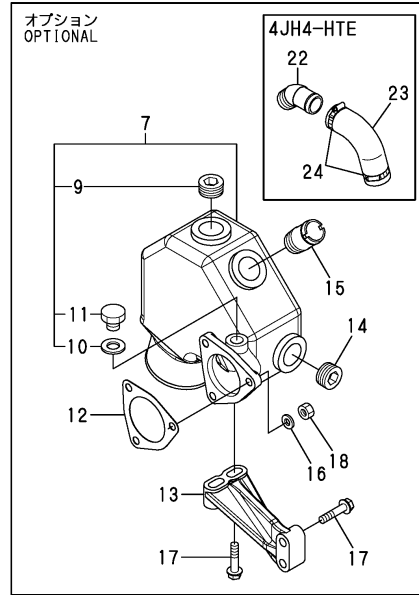
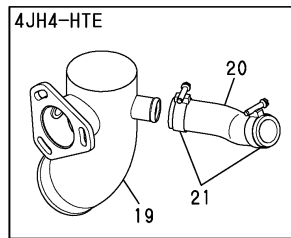
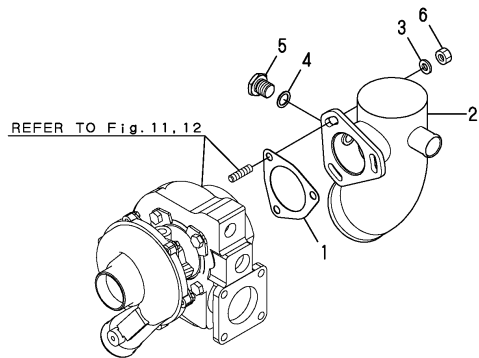


REF.	LEV.	PARTS NO.	DESCRIPTION	QTY						I	R
				(A)	(B)	(C)	(D)	(E)	(F)		
1	1	129671-12120	MANIFOLD, AIR INTAKE	1	1						
2	1	129671-12130	GASKET, MANIFOLD	1	1						
3	1	26106-080202	BOLT M 8X 20 PLATED	5	5						
4	1	129470-12301	SILENCER ASSY	1	1						
5	1	23000-054000	CLAMP 54	1	1						
6	1	129571-18130	DUCT, AIR	1							
7	1	129150-77511	GASKET, AIR HEATER	1							
8	1	26106-080402	BOLT M 8X 40 PLATED	4							
9	1	129571-18140	DUCT	1							
10	1	129100-77500	HEATER, AIR	1	1						
11	1	129100-77510	GASKET, AIR HEATER	1	1						
12	1	129150-77511	GASKET, AIR HEATER	1	1						
13	1	128990-77910	RELAY ASSY, GLOW	1	1						
16	1	129271-77921	HARNESS,WIRE(HEATER)	1	1						
17	1	22217-060000	SPRING WASHER 6	1	1						
18	1	26106-060082	BOLT M 6X 8 PLATED	1	1						
19	1	26106-080402	BOLT M 8X 40 PLATED	4							
20	1	129595-18141	HOSE, RUBBER	1							
21	1	23000-060000	CLAMP 60	2							
22	1	129693-18450	PIPE	1	1						
23	1	129198-59540	BOLT, JOINT M8	1	1						
24	1	23000-013000	CLAMP 13	2	2						
25	1	23387-040800	JOINT, HOSE	1	1						
26	1	23414-080000	GASKET 8, ROUND	2	2						
27	1	129474-18171	BEND		1						
28	1	26106-080402	BOLT M 8X 40 PLATED		2						

Fig.10. MIXING ELBOW

(A)=4JH4-TE
(B)=4JH4-HTE
(C)=

(D)=
(E)=
(F)=



REF.	LEV.	PARTS NO.	DESCRIPTION	Q'TY						I	R
				(A)	(B)	(C)	(D)	(E)	(F)		
1	1	129472-13520	GASKET	1	1						
2	1	129671-13551	ELBOW, WATER MIXING	1							
2-1	1	129671-13552	ELBOW, WATER MIXING	1							S 1
(A=EXXX)											
3	1	22137-080000	WASHER 8, POLISHED	3	3						
4	1	23414-130000	GASKET 13, ROUND	1	1						
5	1	23893-020002	PLUG PF1/4	1	1						
5-1	1	129671-13570	PLUG G 1/4A	1	1						N
(A=EXXX) (B=EXXX)											
6	1	26703-080002	NUT M 8	3	3						
7	1	129472-13501	ELBOW ASSY, MIXING	1	1						
9	2	129472-13560	PLUG PT3/4	1	1						
10	2	23414-130000	GASKET 13, ROUND	1	1						
11	2	23893-020002	PLUG PF1/4	1	1						
12	1	129472-13520	GASKET	1	1						
13	1	129472-13550	SUPPORT	1	1						
14	1	129472-13560	PLUG PT3/4	1	1						
15	1	123325-49421	JOINT, PIPE	1							
16	1	22137-080000	WASHER 8, POLISHED	3	3						
17	1	26106-080352	BOLT M 8X 35 PLATED	4	4						
18	1	26703-080002	NUT M 8	3	3						
19	1	129673-13551	ELBOW, WATER MIXING		1						
19-1	1	129673-13552	ELBOW, WATER MIXING		1						S 1
(B=EXXX)											
20	1	129673-49110	PIPE, WATER D		1						
21	1	129670-49500	CLIP, HOSE		2						
22	1	129673-49060	ELBOW, 45		1						
23	1	129673-49150	PIPE, COOLING WATER		1						
24	1	129670-49500	CLIP, HOSE		2						

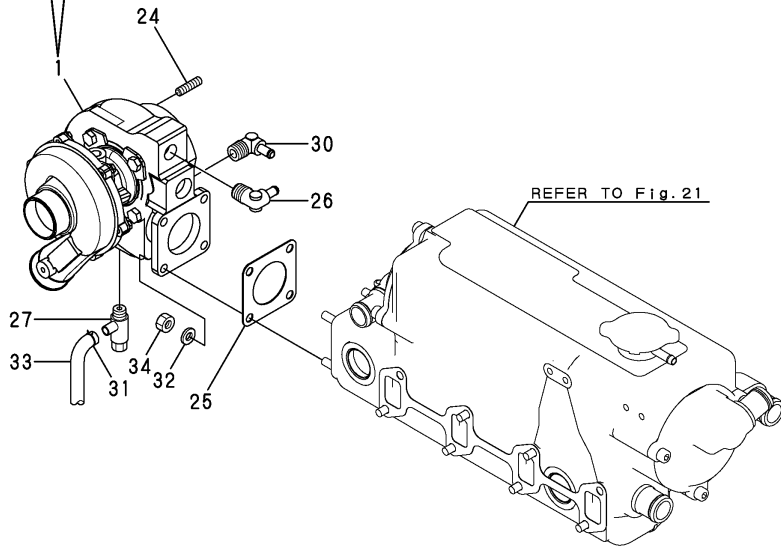
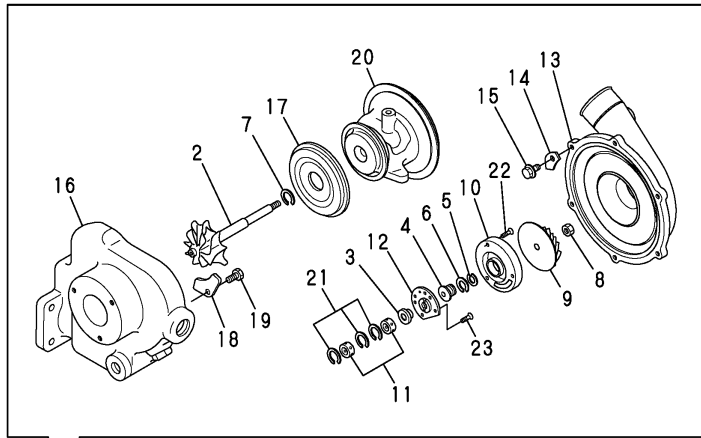
Remarks

(1)INTERCHANGEABLE BY SIMULTANEOUS REPLACEMENT WITH REF.NO.5-1.

Fig.11. TURBOCHARGER(4JH4-TE)

(A)=4JH4-TE
(B)=4JH4-HTE
(C)=

(D)=
(E)=
(F)=

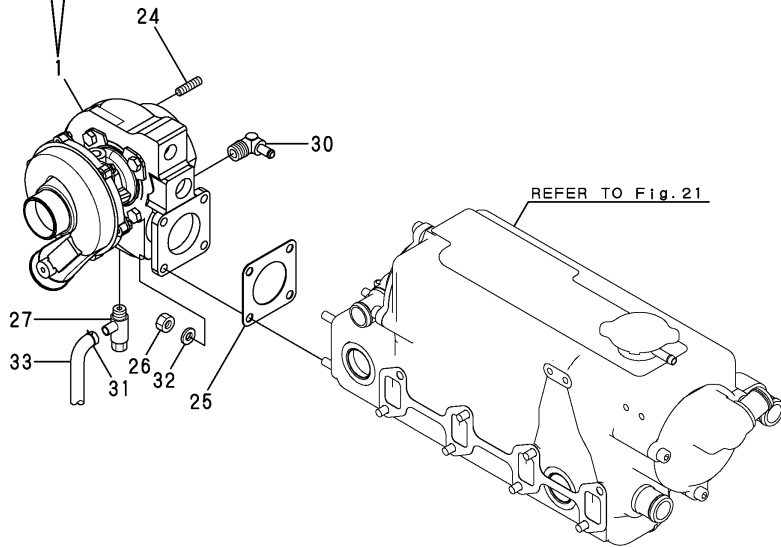
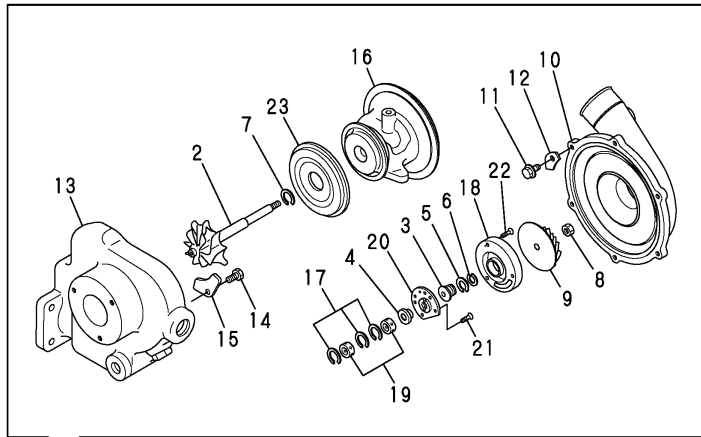


REF.	LEV.	PARTS NO.	DESCRIPTION	QTY						I	R
				(A)	(B)	(C)	(D)	(E)	(F)		
1	1	129671-18010	TURBOCHARGER	1							
2	2	XNN131614	SHAFT	1							
3	2	XNN131579	BUSH, THRUST	1							
4	2	XNN131578	SHELTER	1							
5	2	XNN131008	SEAL RING,BLOW.SIDE	1							
6	2	XNB131008	SEAL RING,BLOW.SIDE	1							
7	2	XNN131536	SEALING	1							
8	2	XNN131108	NUT	1							
9	2	XNN136617	IMPELLER	1							
10	2	XNN133021	SEAL PLATE	1							
11	2	XNN133506	METAL, FLOATING	2							
12	2	XNN133596	METAL, THRUST	1							
13	2	XNN133960	HOUSING, BLOWER	1							
14	2	XNN134035	RETAINER	6							
15	2	XNB134007	BOLT M 5	6							
16	2	XNE928722	HOUSING	1							
17	2	XNN137055	HEAT PROTECTOR	1							
18	2	XNN137423	RETAINER	5							
19	2	XNN137007	BOLT M8	5							
20	2	XNE923383	HOUSING, BEARING	1							
21	2	XNN133208	CIRCLIP	3							
22	2	XNB133208	SCREW(SEAL PLATE	3							
23	2	XNB133206	SCREW	4							
24	1	128170-13600	STUD	3							
25	1	129472-18090	GASKET	1							
26	1	104407-44480	JOINT	1							
27	1	129670-49290	COCK ASSY	1							
30	1	171007-49400	JOINT	2							
31	1	124460-77680	RETAINER	1							
32	1	22133-080000	WASHER 8	4							
33	1	23061-070300	PIPE 7X 300	1							
34	1	26703-080002	NUT M 8	4							

Fig.12. TURBOCHARGER(4JH4-HTE)

(A)=4JH4-TE
(B)=4JH4-HTE
(C)=

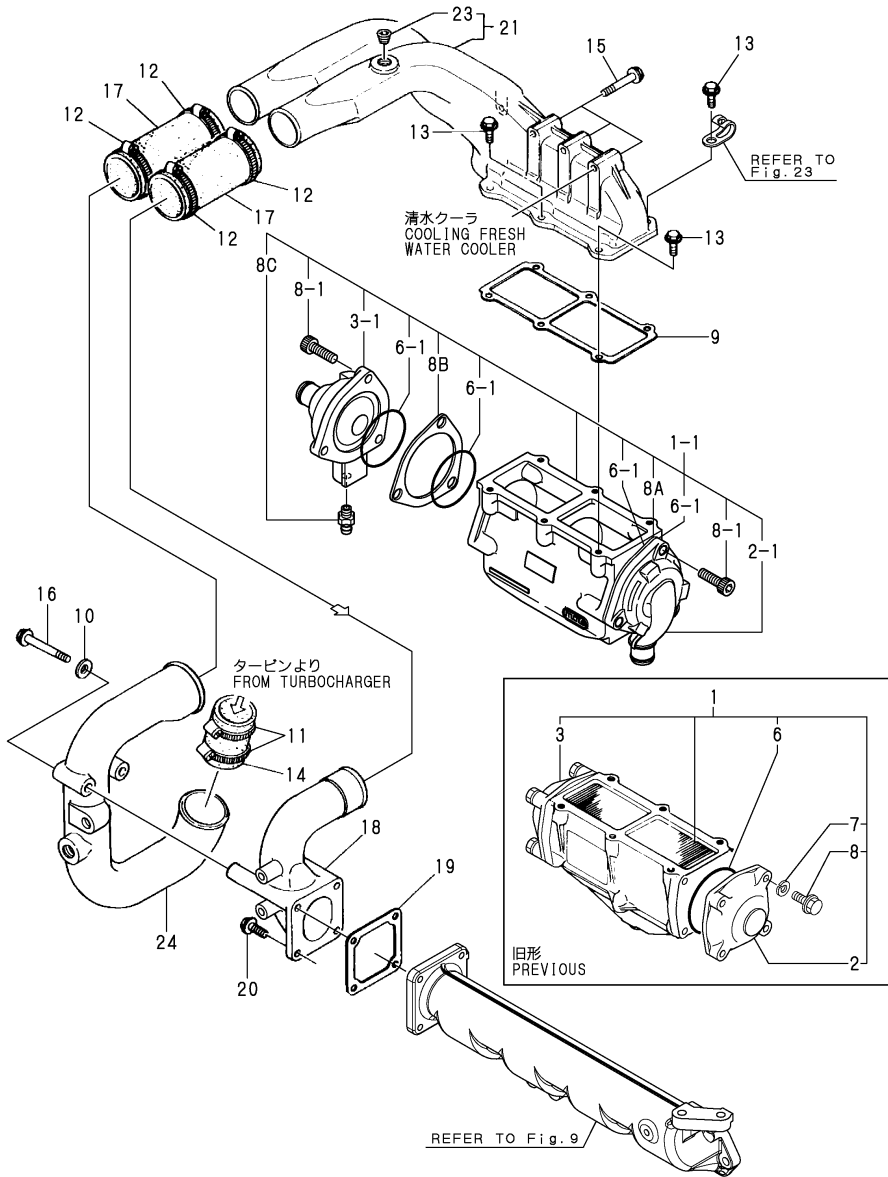
(D)=
(E)=
(F)=



REF.	LEV.	PARTS NO.	DESCRIPTION	Q'TY						I	R	
				(A)	(B)	(C)	(D)	(E)	(F)			
1	1	129671-18001	T/C(-)TE		1							
2	2	XNN131614	SHAFT		1							
3	2	XNN131578	SHELTER		1							
4	2	XNN131579	BUSH, THRUST		1							
5	2	XNB131008	SEAL RING,BLOW.SIDE		1							
6	2	XNN131008	SEAL RING,BLOW.SIDE		1							
7	2	XNN131536	SEALING		1							
8	2	XNN131108	NUT		1							
9	2	XNN136613	IMPELLER		1							
10	2	XNN133911	HOUSING,BLOWER		1							
11	2	XNB134007	BOLT M 5		6							
12	2	XNN134035	RETAINER		6							
13	2	XNE928727	HOUSING		1							
14	2	XNN137007	BOLT M8		5							
15	2	XNN137423	RETAINER		5							
16	2	XNE923383	HOUSING,BEARING		1							
17	2	XNN133208	CIRCLIP		3							
18	2	XNN133022	PLATE, SEAL		1							
19	2	XNN133506	METAL, FLOATING		2							
20	2	XNN133596	METAL,THRUST		1							
21	2	XNB133206	SCREW		4							
22	2	XNB133208	SCREW(SEAL PLATE		3							
23	2	XNN137055	HEAT PROTECTOR		1							
24	1	128170-13600	STUD		3							
25	1	129472-18090	GASKET		1							
26	1	26703-080002	NUT M 8		4							
27	1	129670-49290	COCK ASSY		1							
30	1	171007-49400	JOINT		2							
31	1	124460-77680	RETAINER		1							
32	1	22133-080000	WASHER 8		4							
33	1	23061-070300	PIPE 7X 300		1							

Fig.13. AIR COOLER

P/C NEWS No. : Y00R6361-1
 PUBLISHED : 2006/11



(A)=4JH4-TE
 (B)=4JH4-HTE
 (C)=

(D)=
 (E)=
 (F)=

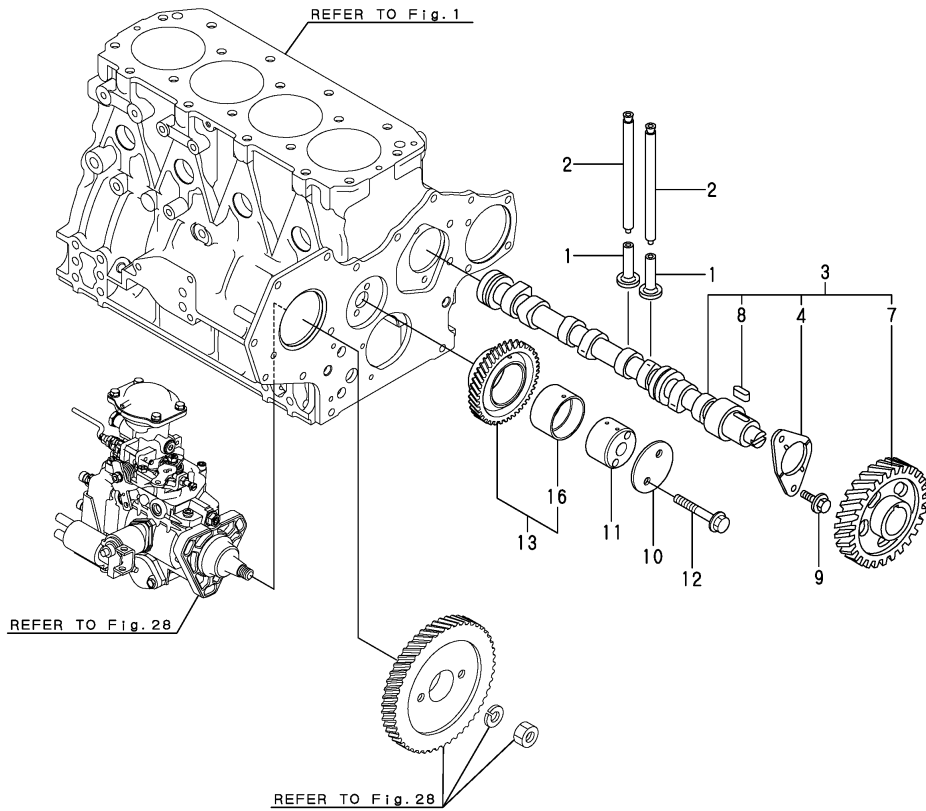
REF.	LEV.	PARTS NO.	DESCRIPTION	QTY						I	R	
				(A)	(B)	(C)	(D)	(E)	(F)			
1	1	129672-18100	COOLER ASSY, INTER		1							
1-1	1	129672-18110	COOLER ASSY, INTER		1						S	1
		(B=*2006.10)										
2	2	129673-18220	BOX, WATER A		1							
2-1	2	129672-18130	BONNET INLET		1						S	
		(B=*2006.10)										
3	2	129672-18230	BOX, WATER B		1							
3-1	2	129672-18140	BONNET OUTLET		1						S	
		(B=*2006.10)										
6	2	129673-18250	O-RING		2							
6-1	2	129672-18170	O-RING, D81.2X3.53		4						S	
		(B=*2006.10)										
7	2	22217-080000	WASHER, 8		8						Z	
		(B=*2006.10)										
8	2	26106-080302	BOLT M 8X 30 PLATED		8							
8-1	2	129672-18180	SCREW M8 X 40		6						S	
		(B=*2006.10)										
8A	2	129672-18150	MOTA ELEMENT		1						W	
		(B=*2006.10)										
8B	2	129672-18160	SPACER		1						W	
		(B=*2006.10)										
8C	2	129672-18190	PLUG DRAIN ASSY		1						W	
		(B=*2006.10)										
9	1	129573-18120	GASKET, AIR DUCT		1							
10	1	22137-080000	WASHER 8, POLISHED		2							
11	1	23000-054000	CLAMP 54		2							
12	1	23000-070000	CLAMP 70		4							
13	1	26106-080202	BOLT M 8X 20 PLATED		6							
14	1	129595-18141	HOSE, RUBBER		1							
15	1	26106-080502	BOLT M 8X 50 PLATED		3							
16	1	26116-082002	BOLT M 8X200 PLATED		2							
17	1	129595-18151	HOSE, RUBBER		2							
18	1	129474-18151	BEND		1							
19	1	129150-77511	GASKET, AIR HEATER		1							
20	1	26106-080202	BOLT M 8X 20 PLATED		2							
21	1	129474-18181	DUCT ASSY, AIR		1							
23	2	23876-010000	PLUG PT1/8,SCREW		1							
24	1	129595-18132	DUCT, AIR		1							

Remarks
 (1)INTERCHANGEABLE BY SIMULTANEOUS
 REPLACEMENT WITH REF.FIG.23 NO.1-1

Fig.14. CAMSHAFT & DRIVING GEAR

(A)=4JH4-TE
(B)=4JH4-HTE
(C)=

(D)=
(E)=
(F)=



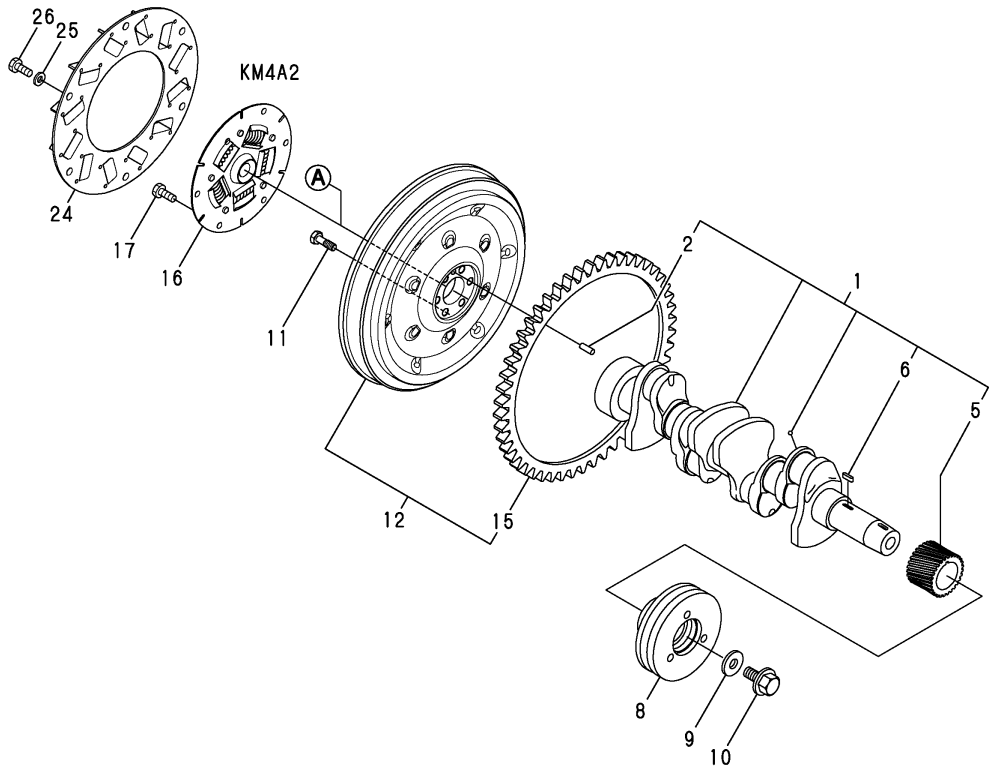
REFER TO Fig. 28

REFER TO Fig. 28

REF.	LEV.	PARTS NO.	DESCRIPTION	QTY						I	R
				(A)	(B)	(C)	(D)	(E)	(F)		
1	1	129150-14200	TAPPET	8	8						
2	1	129150-14400	ROD, PUSH	8	8						
3	1	129508-14580	CAMSHAFT ASSY	1	1						
4	2	129150-02450	METAL, THRUST	1	1						
7	2	129150-14101	GEAR, CAMSHAFT	1	1						
8	2	22512-070140	KEY, 7X14	1	1						
9	1	26106-080142	BOLT 8X 14 PLATED	2	2						
10	1	129150-25020	RETAINER	1	1						
11	1	129150-25052	SHAFT, IDLE	1	1						
12	1	119174-25060	BOLT M8X45,COLLAR	2	2						
13	1	129693-25100	GEAR ASSY, IDLE	1	1						
16	2	129573-25090	BUSH, IDLE GEAR	1	1						1

Remarks
(1)REPAIR PART.

Fig.15. CRANKSHAFT & FLYWHEEL



(A)=4JH4-TE
(B)=4JH4-HTE
(C)=

(D)=
(E)=
(F)=

REF.	LEV.	PARTS NO.	DESCRIPTION	QTY						I	R
				(A)	(B)	(C)	(D)	(E)	(F)		
1	1	129698-21000	CRANKSHAFT ASSY	1	1						
2	2	129100-01580	PIN, PARALLEL	1	1						
5	2	129189-21200	GEAR, CRANKSHAFT	1	1						
6	2	22512-070140	KEY, 7X14	1	1						
8	1	119802-21660	V-PULLEY, CRANKSHAFT	1	1						
9	1	129795-21661	WASHER	1	1						
10	1	121850-21680	BOLT, V-PULLEY	1	1						
11	1	121111-21501	BOLT, FLYWHEEL	6	6						
12	1	129574-21590	FLYWHEEL ASSY	1	1						
15	2	124550-21600	GEAR, RING	1	1						
16	1	177090-03500	DISK, DAMPER D190	1	1						
17	1	26106-080162	BOLT M 8X 16 PLATED	6	6						
18	1	129673-81760	DISK, DAMPER	1	1						
19	1	26106-080202	BOLT M 8X 20 PLATED	6	6						
20	1	129673-81150	DISK, DAMPER	1	1						
21	1	26106-080222	BOLT M 8X 22 PLATED	6	6						
22	1	129673-81250	DISK, DAMPER	1	1						
23	1	26106-080252	BOLT M 8X 25 PLATED	6	6						
24	1	129670-81850	FAN, FLYWHEEL	1	1						
25	1	22217-080000	WASHER, 8	6	6						
26	1	26106-080162	BOLT M 8X 16 PLATED	6	6						
27	1	196440-04300	TORFLEX250(SP26)	1							
28	1	26106-080222	BOLT M 8X 22 PLATED	6							

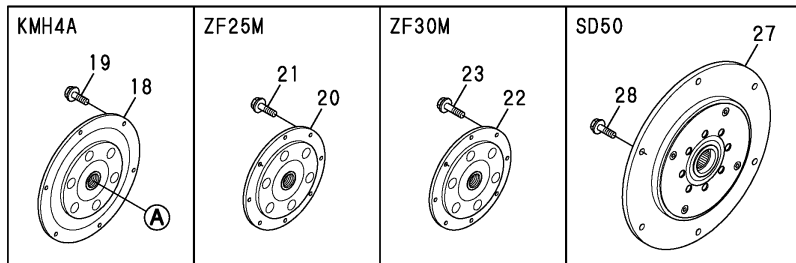
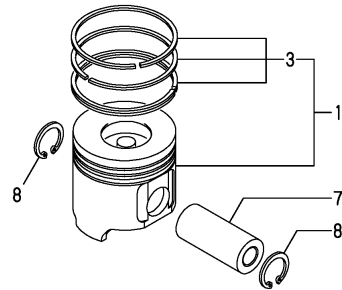


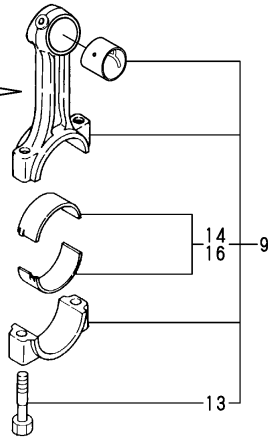
Fig.16. PISTON & CONNECTING ROD

(A)=4JH4-TE
(B)=4JH4-HTE
(C)=

(D)=
(E)=
(F)=



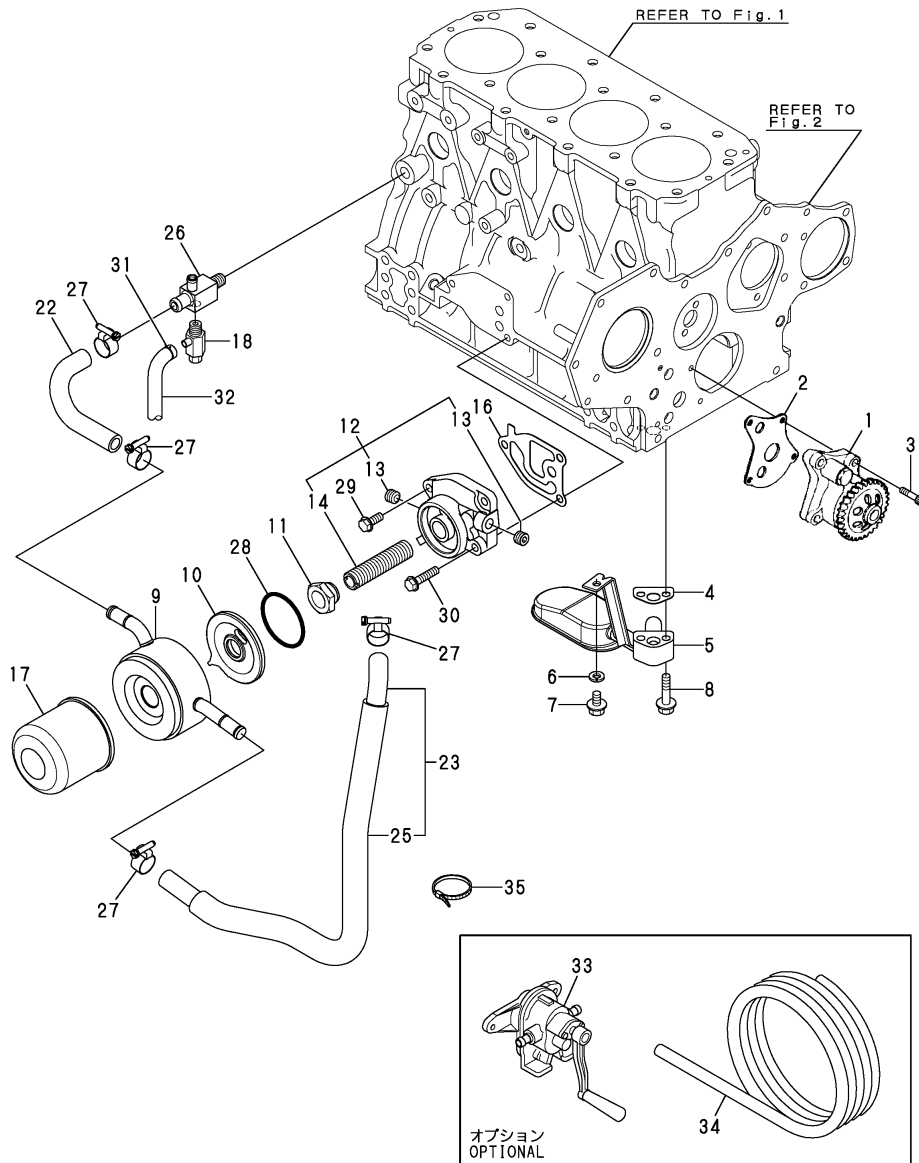
品質保証上、単品販売不可
ON A GUARANTEE OF QUALITY
SHALL NOT SOLD SEPARATELY.



REF.	LEV.	PARTS NO.	DESCRIPTION	Q'TY						I	R
				(A)	(B)	(C)	(D)	(E)	(F)		
1	1	129671-22050	PISTON W/RING	4							
1A	1	129672-22020	PISTON W/RING		4						
3	2	729692-22510	PISTON RING CMP	4	4						
3-1	2	729692-22511	PISTON RING CMP	4	4						N
		(A=E XXX) (B=E XXX)									
7	1	129573-22301	PIN, PISTON	4	4						
8	1	22252-000280	CIRCLIP 28	8	8						
9	1	729573-23700	ROD ASSY, CONNECTING	4	4						
13	2	121550-23200	BOLT, CONNECTING ROD	8	8						
14	2	129150-23600	METAL, CRANKPIN	4							
14-1	2	129150-23601	METAL, CRANKPIN	4	4						N
		(A=*2006.06)									
16	1	129150-23610	METAL.PIN US=0.25	4							1
16-1	1	129150-23611	METAL.PIN US=0.25	4	4						N 1
		(A=*2006.06)									

Remarks
(1) UNDER SIZED (U.S.=0.25) PART.

Fig.17. LUB.OIL SYSTEM



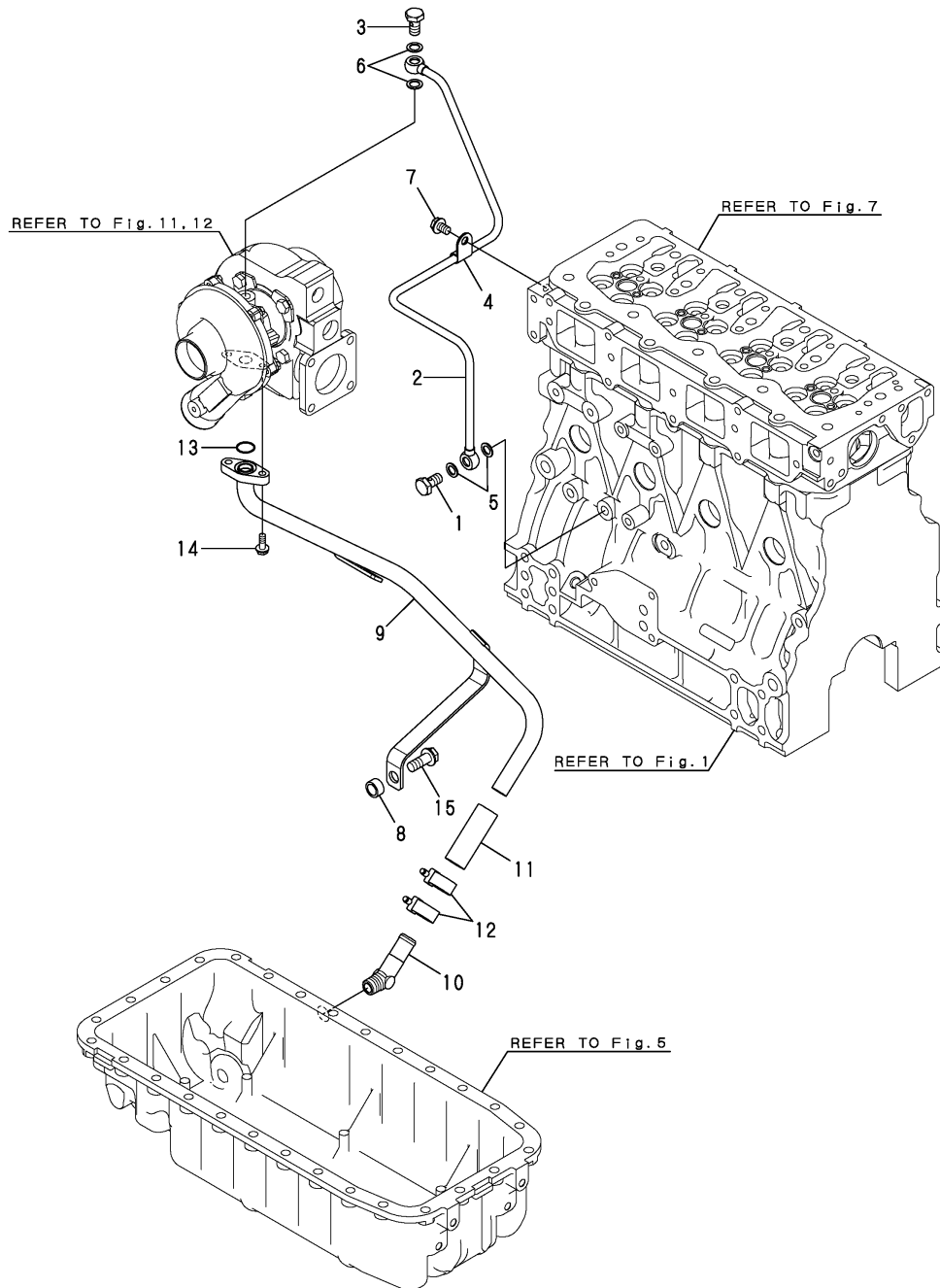
(A)=4JH4-TE
(B)=4JH4-HTE
(C)=

(D)=
(E)=
(F)=

REF.	LEV.	PARTS NO.	DESCRIPTION	QTY						I	R
				(A)	(B)	(C)	(D)	(E)	(F)		
1	1	129671-32000	PUMP ASSY, LUB.OIL	1	1						
2	1	129150-32020	GASKET, PUMP	1	1						
3	1	26450-060252	BOLT, M6X25	4	4						
4	1	129150-35042	GASKET, PIPE	1	1						
5	1	129473-35091	PIPE ASSY, OIL INLET	1	1						
6	1	22217-080000	WASHER, 8	1	1						
7	1	26106-080142	BOLT 8X 14 PLATED	1	1						
8	1	26106-080352	BOLT M 8X 35 PLATED	2	2						
9	1	129672-33050	COOLER ASSY, OIL	1	1						
10	1	129908-33101	BRACKET, COOLER	1	1						
11	1	129417-33110	NUT, OIL COOLER	1	1						
12	1	129672-35000	BRACKET ASSY, FILTER	1	1						
13	2	124160-01910	PLUG, PT1/4	2	2						
14	2	129672-33060	STUD, FILTER	1	1						
16	1	129103-35122	GASKET	1	1						
17	1	129150-35153	FILTER 80X80L	1	1						1
18	1	119620-49290	COCK ASSY	1	1						
22	1	129672-49310	PIPE, COOLING WATER	1	1						
23	1	129672-49320	PIPE, COOLING WATER	1	1						
25	2	129672-49340	TUBE, CORRUGATED	1	1						
26	1	129671-49410	JOINT	1	1						
27	1	23000-022000	CLAMP 22	4	4						
28	1	24321-000600	O-RING 1A G-60.0	1	1						
29	1	26106-080202	BOLT M 8X 20 PLATED	2	2						
30	1	26106-080352	BOLT M 8X 35 PLATED	1	1						
31	1	124460-77680	RETAINER	1	1						
32	1	23061-070300	PIPE 7X 300	1	1						
33	1	124413-39100	PUMP, OIL SUMP	1	1						
34	1	43720-001220	PIPE	1	1						
35	1	121750-59890	CLAMP 140	1	1						

Remarks
(1) REPAIR PART.

Fig.18. LUB.OIL PIPE



(A)=4JH4-TE
(B)=4JH4-HTE
(C)=

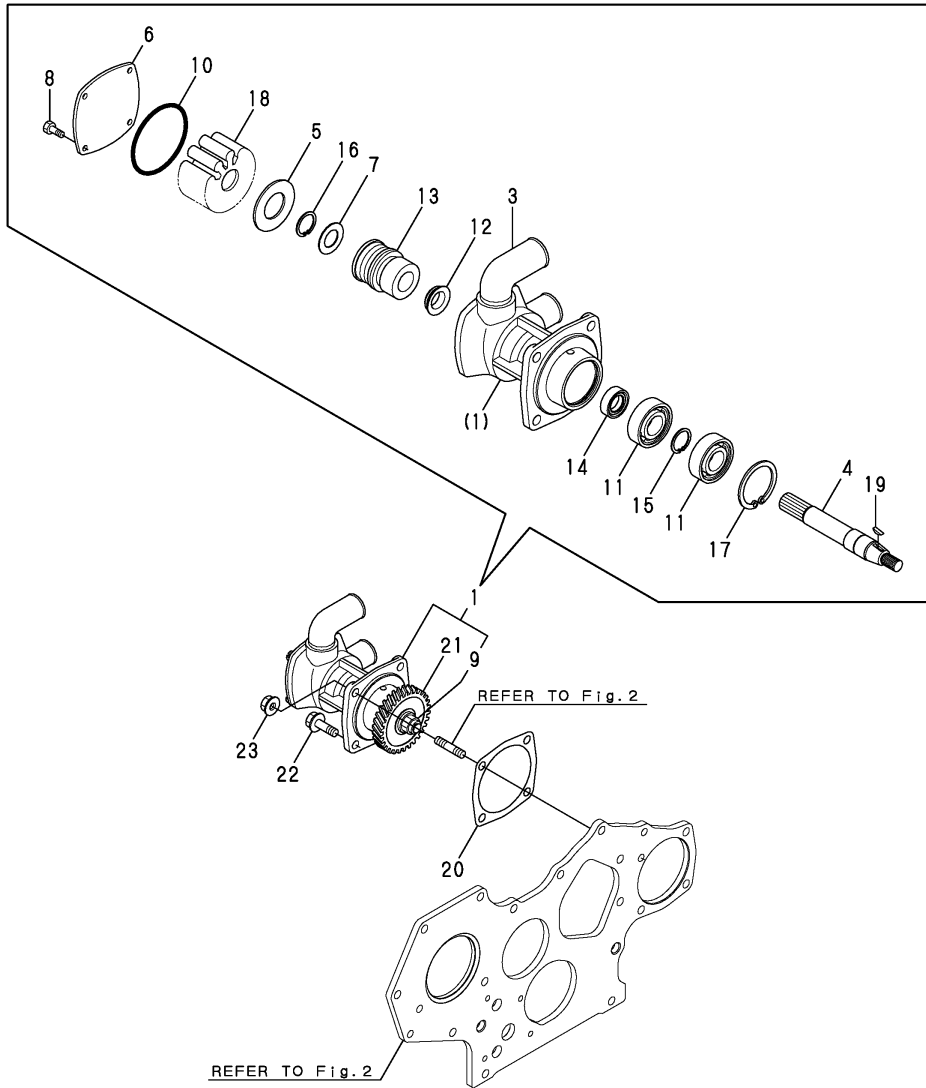
(D)=
(E)=
(F)=

REF.	LEV.	PARTS NO.	DESCRIPTION	QTY						I	R
				(A)	(B)	(C)	(D)	(E)	(F)		
1	1	124160-39140	BOLT, JOINT M10	1	1						
2	1	129671-39460	PIPE ASSY, TURBINE	1	1						
3	1	124413-39710	BOLT M 10	1	1						
4	1	124223-39900	RETAINER	1	1						
5	1	22190-100002	WASHER, 10	2	2						
6	1	23414-100000	GASKET 10, ROUND	2	2						
7	1	26106-080122	BOLT M 8X 12 PLATED	1	1						
8	1	129301-34830	SPACER	1	1						
9	1	129693-39601	PIPE, LUB. OIL	1	1						
10	1	129472-39620	ELBOW	1	1						
11	1	123901-39820	HOSE, RETURN	1	1						
12	1	23000-025000	CLAMP 25	2	2						
13	1	24314-000180	O-RING 4C P-18.0	1	1						
14	1	26106-060162	BOLT M 6X 16 PLATED	2	2						
15	1	26106-100252	BOLT M10X 25 PLATED	1	1						

Fig.19. COOLING SEA WATER PUMP

(A)=4JH4-TE
(B)=4JH4-HTE
(C)=

(D)=
(E)=
(F)=



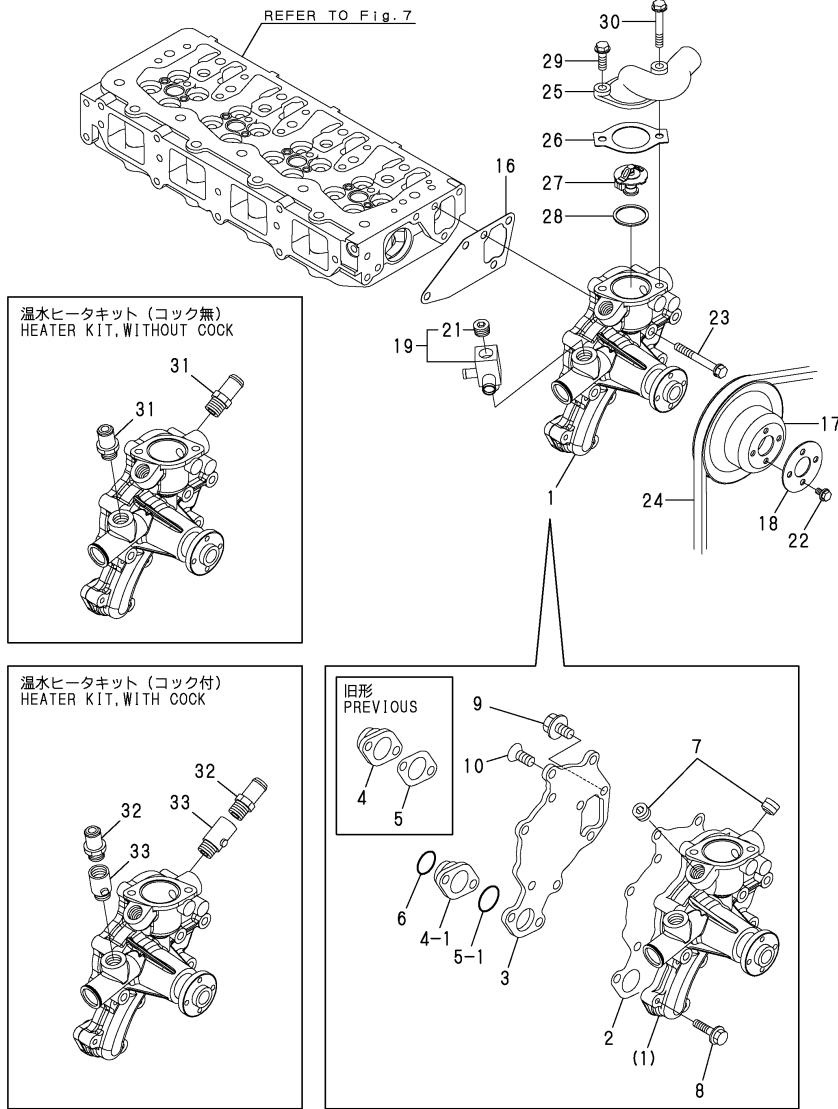
REF.	LEV.	PARTS NO.	DESCRIPTION	QTY						I	R
				(A)	(B)	(C)	(D)	(E)	(F)		
1	1	129670-42512	PUMP ASSY, WATER	1	1						
3	2	X01357681	CONNECTION	1	1						
4	2	X0146531	SHAFT	1	1						
5	2	129670-42540	PLATE	1	1						
6	2	129670-42520	COVER	1	1						
7	2	129670-42550	WASHER	1	1						
8	2	129271-42510	SCREW	4	4						
9	2	X00190001	NUT, LOCK	1	1						
10	2	119773-42570	O-RING	1	1						
11	2	X03431483	BEARING	2	2						
12	2	X02230015	V-RING	1	1						
13	2	129670-42560	SEAL, MECHANICAL	1	1						
14	2	X02233001	SEAL, LIP	1	1						
15	2	X00370017	CIRCLIP	1	1						
16	2	129670-42570	CIRCLIP	1	1						
17	2	X00371040	CIRCLIP	1	1						
18	2	129670-42531	IMPELLER	1	1						
19	2	129670-42580	KEY	1	1						
20	1	129150-01881	GASKET, COVER	1	1						
21	1	129670-42700	GEAR	1	1						
22	1	26106-080252	BOLT M 8X 25 PLATED	3	3						
23	1	26306-080002	NUT, M8	1	1						

Fig.20. COOLING FRESH WATER PUMP

(A)=4JH4-TE
(B)=4JH4-HTE
(C)=

(D)=
(E)=
(F)=

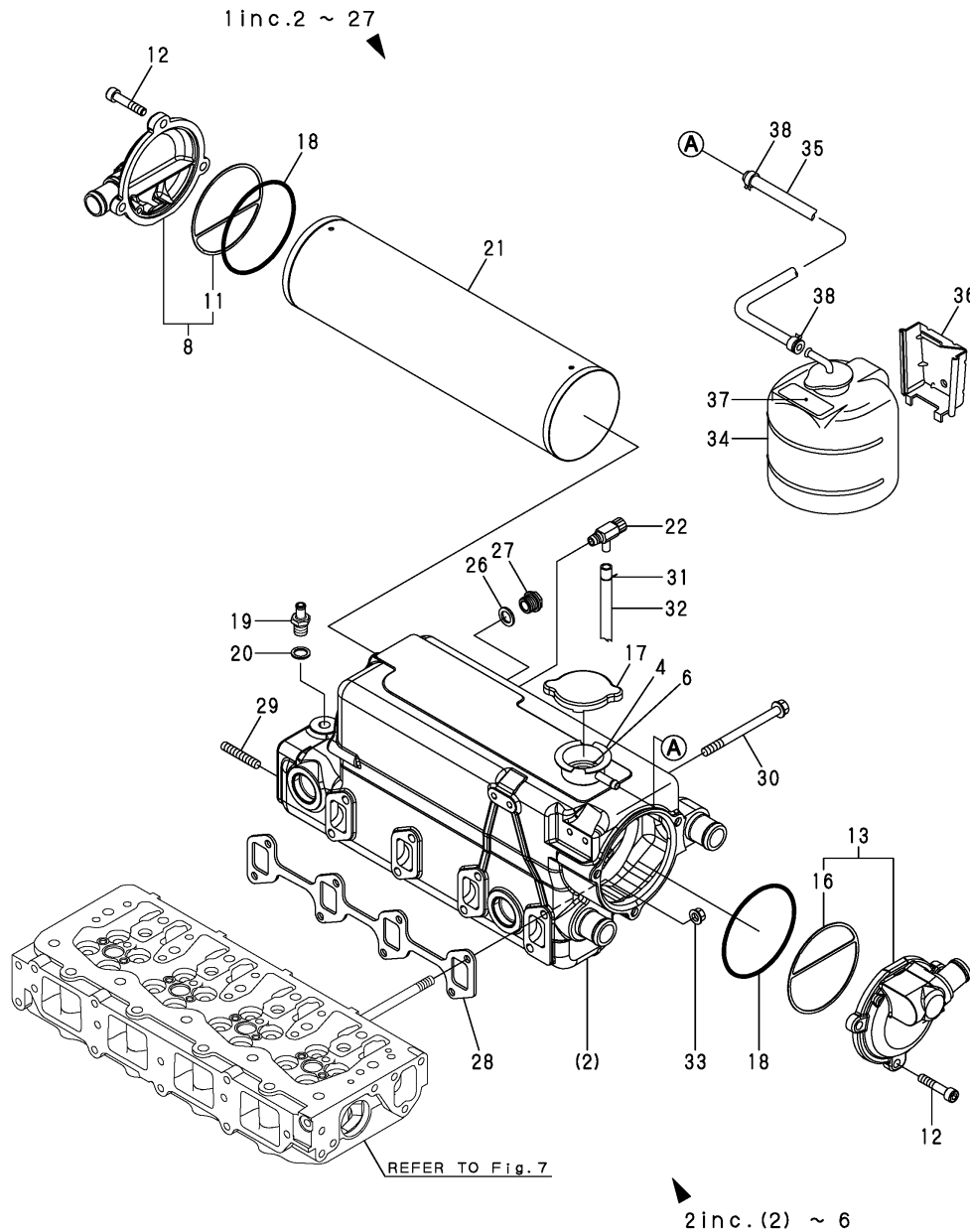
P/C NEWS No. : Y00R6361-2
PUBLISHED : 2007/10



REF.	LEV.	PARTS NO.	DESCRIPTION	QTY						I	R
				(A)	(B)	(C)	(D)	(E)	(F)		
1	1	129271-42001	PUMP ASSY, WATER	1	1						
2	2	129150-42059	PACKING	1	1						
3	2	129263-42120	PLATE	1	1						
4	2	129150-42300	FLANGE, WATER PUMP	1							
4-1	2	129150-42301	FLAGNE, C. W. PUMP	1	1						F 1
				(A=*2006.08)							
5	2	129150-42319	GASKET, FLANGE	1							
5-1	2	24358-240310	O-RING, 5 24031	1	1						S
				(A=*2006.08)							
6	2	129054-42320	O-RING	1	1						
7	2	129916-49740	PLUG, R03	2	2						
8	2	26106-060202	BOLT M 6X 20 PLATED	2	2						
9	2	26116-060162	BOLT 6X16	3	3						
10	2	26577-060142	SCREW M 6X 14	3	3						
16	1	129486-42050	GASKET, PUMP	1	1						
17	1	129550-42350	V-PULLEY, WATER PUMP	1	1						
18	1	129156-44760	WASHER, FAN	1	1						
19	1	129671-49430	JOINT ASSY	1	1						
21	2	23875-030000	PLUG PT3/8,STEEL	1	1						
22	1	26106-060102	BOLT 6X 10 PLATED	4	4						
23	1	26106-080552	BOLT M 8X 55 PLATED	4	4						
24	1	25132-004600	V-BELT	1							
24-1	1	129671-42280	V-BELT	1	1						N
				(A=*2006.07)							
25	1	129573-49540	COVER, THERMOSTAT	1	1						
26	1	129795-49551	GASKET, COVER	1	1						
27	1	129470-49801	THERMOSTAT	1	1						
28	1	129470-49810	GASKET, THERMOSTAT	1	1						
29	1	26106-080252	BOLT M 8X 25 PLATED	1	1						
30	1	26106-080502	BOLT M 8X 50 PLATED	1	1						
31	1	128990-49320	JOINT, 3/8	2	2						
32	1	128990-49320	JOINT, 3/8	2	2						
33	1	129670-49390	COCK ASSY	2	2						

Remarks
(1)INTERCHANGEABLE BY SIMULTANEOUS
REPLACEMENT WITH REF.NO.5-1

Fig.21. COOLING FRESH WATER COOLER



(A)=4JH4-TE
(B)=4JH4-HTE
(C)=

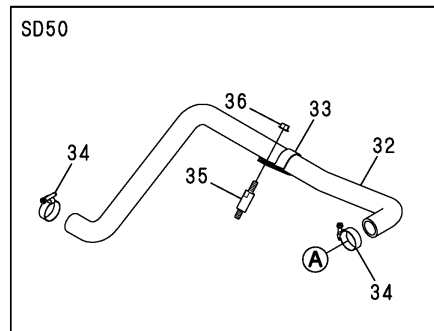
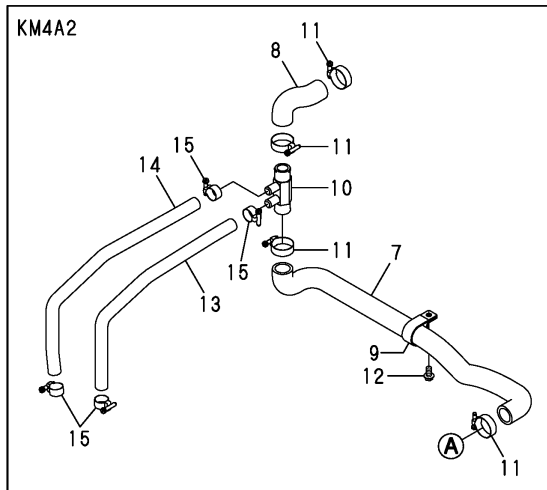
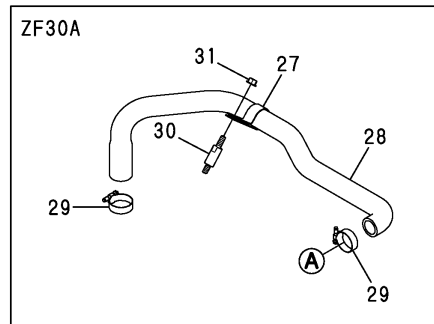
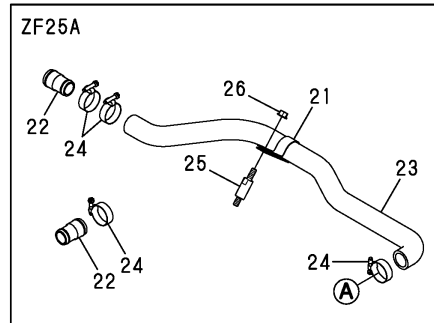
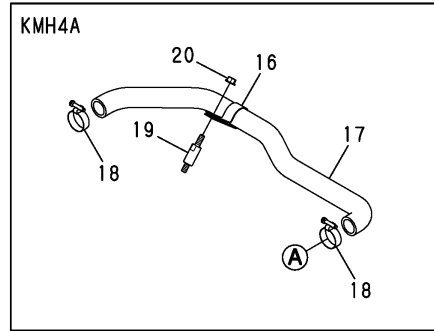
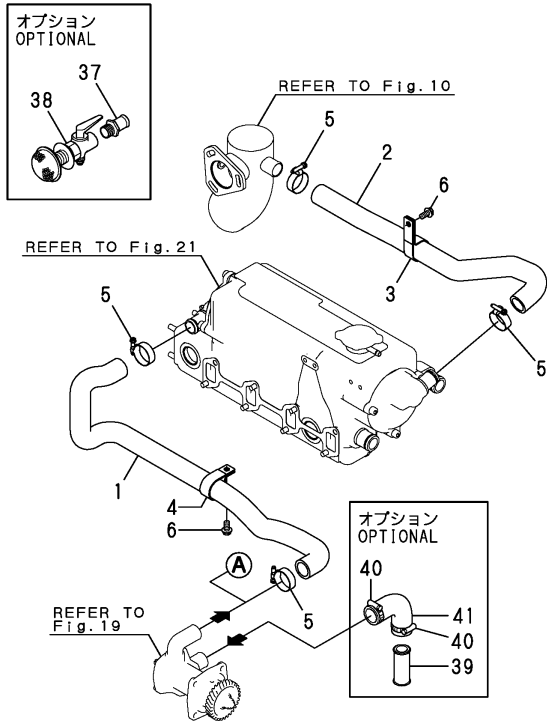
(D)=
(E)=
(F)=

REF.	LEV.	PARTS NO.	DESCRIPTION	QTY						I	R
				(A)	(B)	(C)	(D)	(E)	(F)		
1	1	129672-44900	HEAT EXCHANGER ASSY	1	1						
2	2	129672-44020	BODY,COOLER CMP	1	1						
4	3	129673-44110	FILLER NECK	1	1						
6	3	129673-44150	TUBE D28.5X1.5 LG6	1	1						
8	2	129672-44070	BONNET,INLET	1	1						
11	3	129693-44420	GASKET, COOLER	1	1						
12	2	129673-44090	BOLT, M8X40	6	6						
13	2	129672-44100	BONNET,OUTLET	1	1						
16	3	129693-44420	GASKET, COOLER	1	1						
17	2	129673-44131	CAP,FILLER	1	1						
18	2	129672-44150	O-RING, 99.5X3	2	2						
19	2	129672-44160	PLUG G1/4	1	1						
20	2	129672-44170	GASKET 13.5-19	1	1						
21	2	129672-44400	CORE ASSY	1	1						
22	2	119620-49290	COCK ASSY	1	1						
26	2	23414-170000	GASKET 17, ROUND	1	1						
27	2	23893-030002	PLUG G3/8,HEX.	1	1						
28	1	129550-13110	GASKET, EXH.MANIFOLD	1	1						
29	1	128170-13600	STUD	4	4						
30	1	129693-44310	BOLT(CFW COOLER	6	6						
31	1	124460-77680	RETAINER	1	1						
32	1	23061-070300	PIPE 7X 300	1	1						
33	1	26306-080002	NUT, M8	2	2						
34	1	128397-44500	TANK ASSY, SUB	1	1						
35	1	129270-44501	PIPE,OVER FLOW	1	1						
36	1	128397-44510	BRACKET, SUB TANK	1	1						
37	1	129670-44570	LABEL, SUB-TANK	1	1						
38	1	23010-013000	CLAMP 13	2	2						

Fig.22. COOLING SEA WATER PIPE(4JH4-TE)

(A)=4JH4-TE
(B)=4JH4-HTE
(C)=

(D)=
(E)=
(F)=



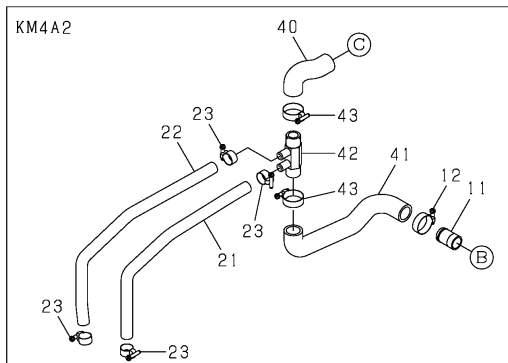
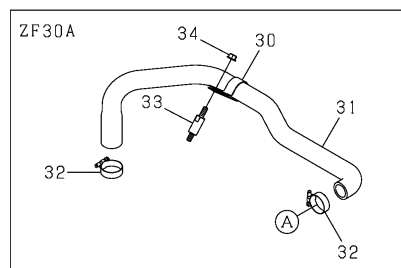
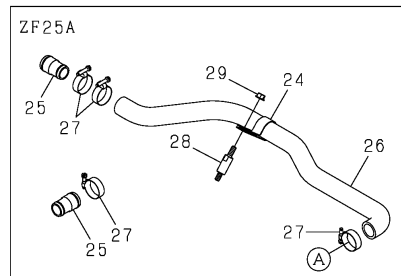
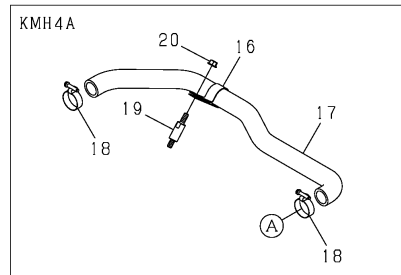
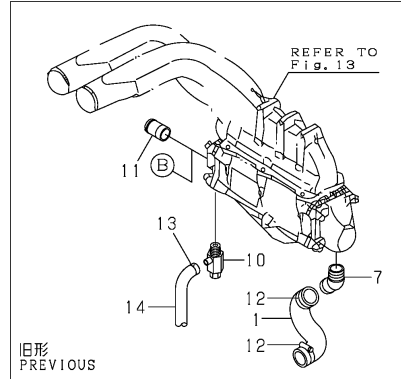
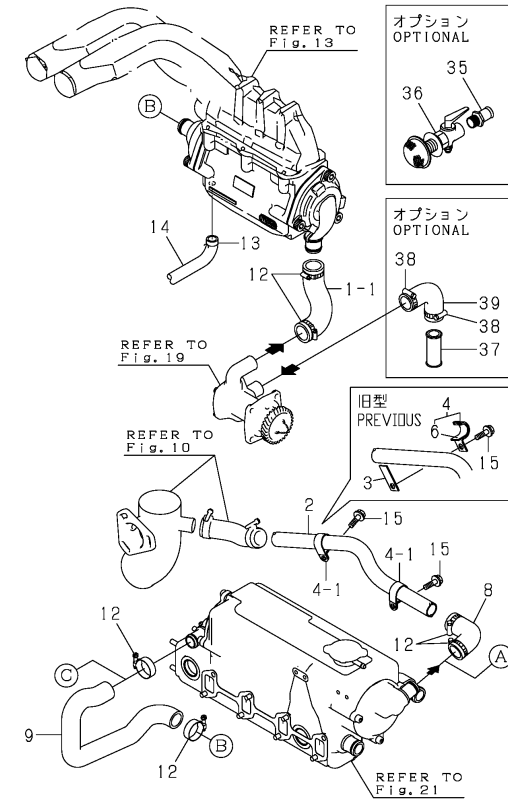
REF.	LEV.	PARTS NO.	DESCRIPTION	QTY						I	R
				(A)	(B)	(C)	(D)	(E)	(F)		
1	1	129671-49010	PIPE, COOLING WATER	1							
2	1	129671-49020	PIPE, COOLING WATER	1							
3	1	129671-49110	RETAINER	1							
4	1	129671-49120	RETAINER	1							
5	1	129670-49500	CLIP, HOSE	4							
6	1	26106-080162	BOLT M 8X 16 PLATED	2							
7	1	129671-49030	PIPE, COOLING WATER	1							
8	1	129672-49030	PIPE, WATER C	1							
9	1	129671-49120	RETAINER	1							
10	1	129670-49410	JOINT	1							
11	1	129670-49500	CLIP, HOSE	4							
12	1	26106-080162	BOLT M 8X 16 PLATED	1							
13	1	129671-49230	PIPE, WATER E	1							
14	1	129671-49240	PIPE, WATER F	1							
15	1	23000-022000	CLAMP 22	4							
16	1	129671-49110	RETAINER	1							
17	1	129672-49410	PIPE, COOLING WATER	1							
18	1	129670-49500	CLIP, HOSE	2							
19	1	129271-77420	BOLT, BELT COVER	1							
20	1	26366-080002	NUT M 8	1							
21	1	129671-49110	RETAINER	1							
22	1	129673-49410	JOINT	2							
23	1	129673-49420	PIPE, CSW ZF25A	1							
24	1	129670-49500	CLIP, HOSE	4							
25	1	129271-77420	BOLT, BELT COVER	1							
26	1	26366-080002	NUT M 8	1							
27	1	129671-49110	RETAINER	1							
28	1	129673-49430	PIPE,CSW ZF30M	1							
29	1	129670-49500	CLIP, HOSE	2							
30	1	129271-77420	BOLT, BELT COVER	1							
31	1	26366-080002	NUT M 8	1							
32	1	129671-49100	PIPE, COOLING WATER	1							
33	1	129671-49110	RETAINER	1							
34	1	129670-49500	CLIP, HOSE	2							
35	1	129271-77420	BOLT, BELT COVER	1							
36	1	26366-080002	NUT M 8	1							
37	1	43530-500570	JOINT, PIPE	1							
38	1	43662-025030	COCK ASSY, KINGSTON	1							
39	1	129490-49070	JOINT	1							
40	1	129670-49500	CLIP, HOSE	2							
41	1	129171-49900	JOINT, RUBBER	1							

Fig.23. COOLING SEA WATER PIPE(4JH4-HTE)

(A)=4JH4-TE
(B)=4JH4-HTE
(C)=

(D)=
(E)=
(F)=

P/C NEWS No. : Y00R6361-1
PUBLISHED : 2006/11



REF.	LEV.	PARTS NO.	DESCRIPTION	QTY						I	R	
				(A)	(B)	(C)	(D)	(E)	(F)			
1	1	129673-49010	PIPE, COOLING WATER		1							
1-1	1	129672-49060	PIPE, COOLING WATER (B=*2006.10)		1						S	1
2	1	129698-49020	PIPE, COOLING WATER		1							
3	1	129693-49040	CLAMP B (A=*2009.06) (B=*2009.06)		2						Z	
4	1	129693-49050	CLAMP CMP (A=*2009.06) (B=*2009.06)		2						Z	
4-1	1	129672-49050	RETAINER,CSW (A=*2009.06) (B=*2009.06)		2						W	
6	2	127675-82650	SEAT (A=*2009.06) (B=*2009.06)		2						Z	
7	1	129673-49060	ELBOW, 45 (B=*2006.10)		1						Z	
8	1	129672-49070	PIPE, COOLING WATER		1							
9	1	129672-49230	PIPE, WATER B		1							
10	1	119620-49290	COCK ASSY (B=*2006.10)		1						Z	
11	1	129672-49420	JOINT, PIPE (B=*2006.10)		1						Z	
12	1	129670-49500	CLIP, HOSE		6							
13	1	124460-77680	RETAINER		1							
14	1	23061-070300	PIPE 7X 300		1							
15	1	26106-080162	BOLT M 8X 16 PLATED		2							
16	1	129671-49110	RETAINER		1							
17	1	129672-49410	PIPE, COOLING WATER		1							
18	1	129670-49500	CLIP, HOSE		2							
19	1	129271-77420	BOLT, BELT COVER		1							
20	1	26366-080002	NUT M 8		1							
21	1	129671-49230	PIPE, WATER E		1							
22	1	129671-49240	PIPE, WATER F		1							
23	1	23000-022000	CLAMP 22		4							
24	1	129671-49110	RETAINER		1							
25	1	129673-49410	JOINT		2							
26	1	129673-49420	PIPE, CSW ZF25A		1							
27	1	129670-49500	CLIP, HOSE		4							
28	1	129271-77420	BOLT, BELT COVER		1							
29	1	26366-080002	NUT M 8		1							
30	1	129671-49110	RETAINER		1							
31	1	129673-49430	PIPE,CSW ZF30M		1							
32	1	129670-49500	CLIP, HOSE		2							
33	1	129271-77420	BOLT, BELT COVER		1							
34	1	26366-080002	NUT M 8		1							
35	1	43530-500570	JOINT, PIPE		1							
36	1	43662-025030	COCK ASSY, KINGSTON		1							
37	1	129490-49070	JOINT		1							
38	1	129670-49500	CLIP, HOSE		2							
39	1	129171-49900	JOINT, RUBBER		1							
40	1	129672-49030	PIPE, WATER C		1							
41	1	129672-49240	PIPE, COOLING WATER		1							
42	1	129670-49410	JOINT		1							

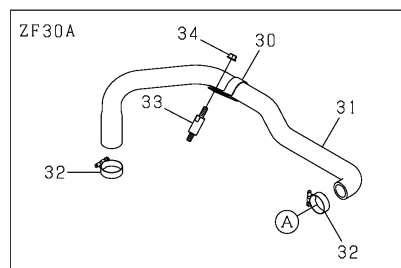
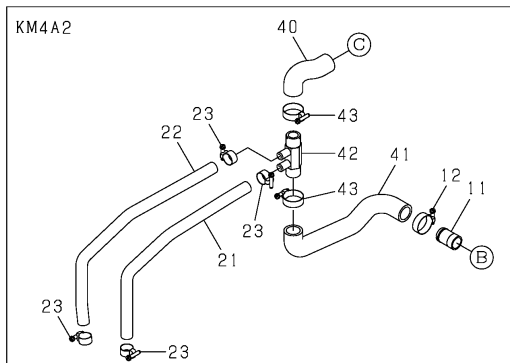
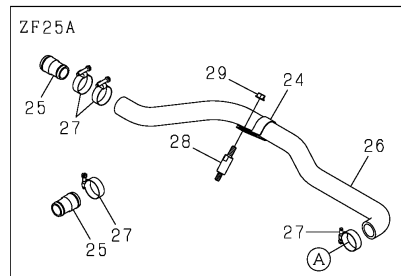
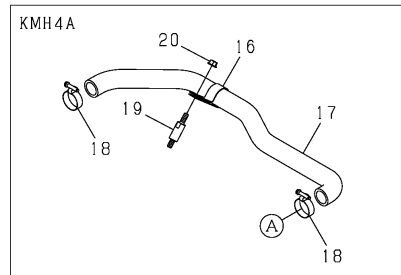
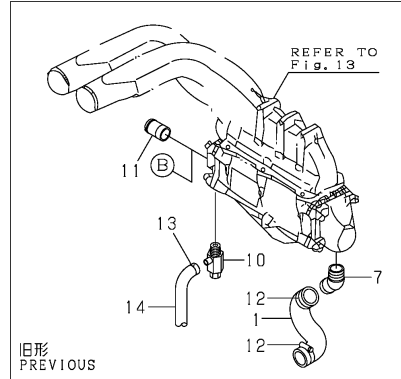
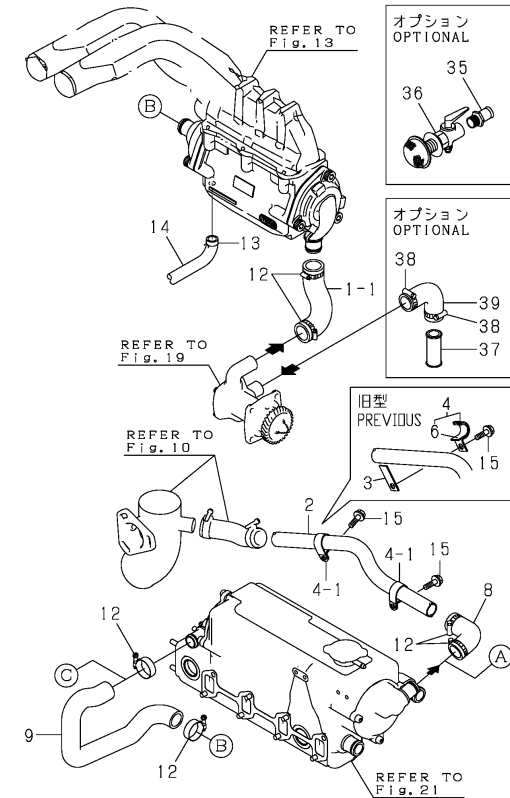
Remarks
(1)INTERCHANGEABLE BY SIMULTANEOUS
REPLACEMENT WITH REF.FIG.13 NO.1-1

Fig.23. COOLING SEA WATER PIPE(4JH4-HTE)

(A)=4JH4-TE
(B)=4JH4-HTE
(C)=

(D)=
(E)=
(F)=

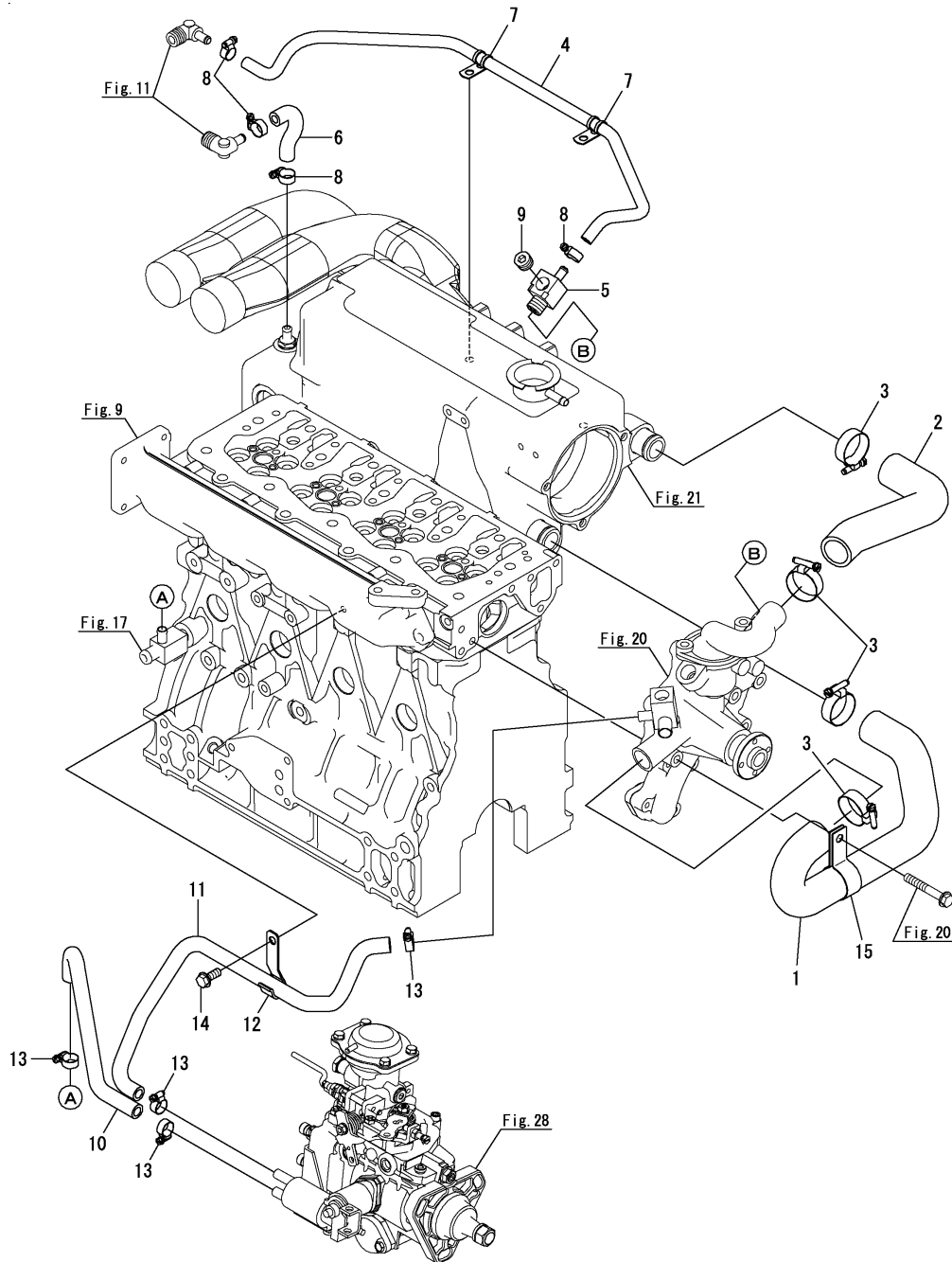
P/C NEWS No. : Y00R6361-1
PUBLISHED : 2006/11



REF.	LEV.	PARTS NO.	DESCRIPTION	QTY						I	R
				(A)	(B)	(C)	(D)	(E)	(F)		
43	1	129670-49500	CLIP, HOSE		2						

Remarks
(1)INTERCHANGEABLE BY SIMULTANEOUS
REPLACEMENT WITH REF.FIG.13 NO.1-1

Fig.24. COOLING FRESH WATER PIPE



(A)=4JH4-TE
(B)=4JH4-HTE
(C)=

(D)=
(E)=
(F)=

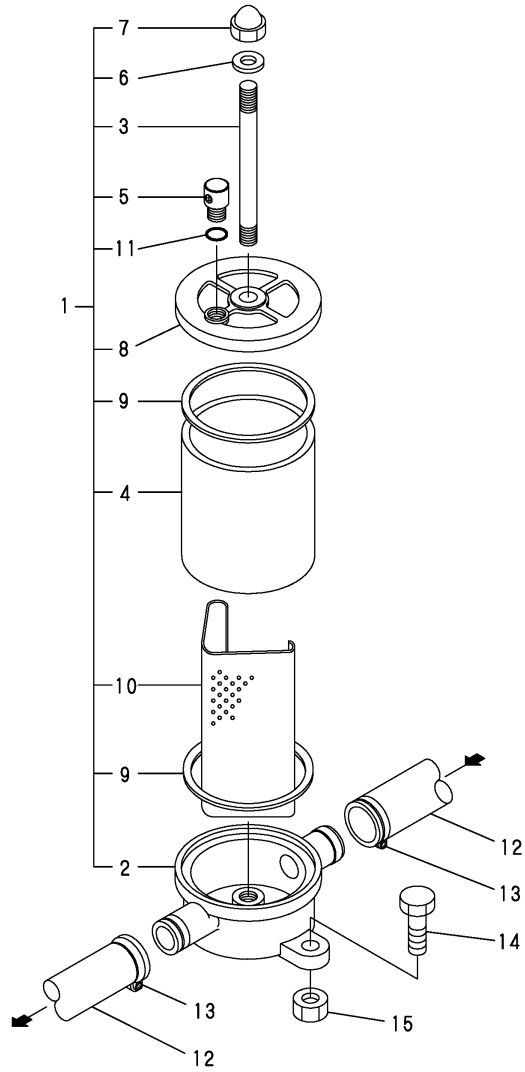
REF.	LEV.	PARTS NO.	DESCRIPTION	QTY						I	R
				(A)	(B)	(C)	(D)	(E)	(F)		
1	1	129671-49220	PIPE, COOLING WATER	1	1						
2	1	129672-49260	PIPE, COOLING WATER	1	1						
3	1	129670-49500	CLIP, HOSE	4	4						
4	1	129673-44560	PIPE, OVER FLOW	1	1						
5	1	129473-49310	JOINT	1	1						
6	1	129672-49500	PIPE, OVER FLOW	1	1						
7	1	194440-51620	CLAMP, WIRE HARNESS	2	2						
8	1	23000-013000	CLAMP 13	4	4						
9	1	23876-030000	PLUG PT3/8,SCREW	1	1						
10	1	129671-49310	PIPE, COOLING WATER	1	1						
11	1	129671-49320	PIPE, COOLING WATER	1	1						
12	1	129671-49330	CLAMP, PIPE	1	1						
13	1	23000-016000	CLAMP 16	4	4						
14	1	26106-080102	BOLT M 8X 10 PLATED	1	1						
15	1	129271-49110	RETAINER, PIPE	1	1						W

(A)=*2009.06) (B)=*2009.06)

Fig.25. C.S.W.STRAINER(OPTIONAL)

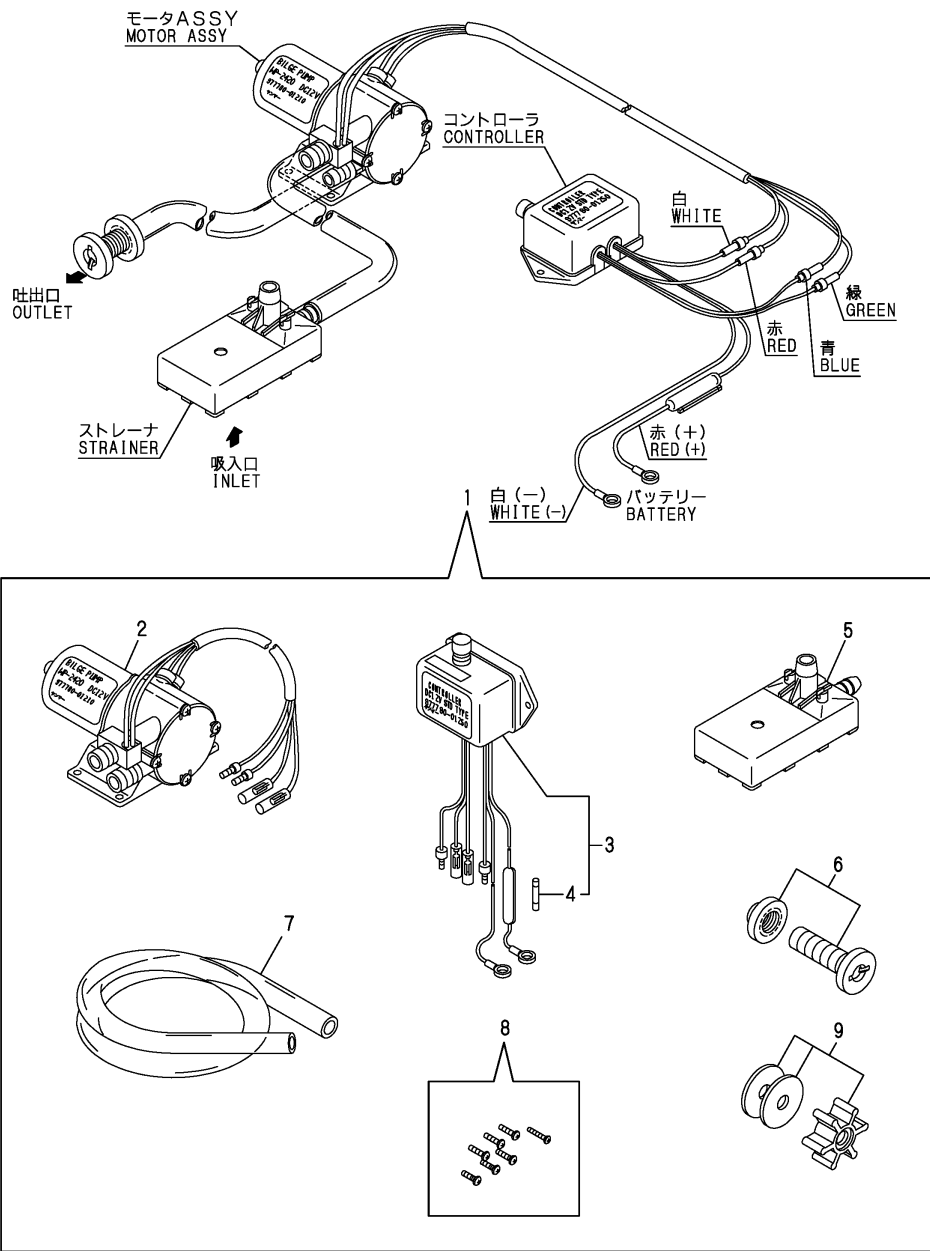
(A)=4JH4-TE
(B)=4JH4-HTE
(C)=

(D)=
(E)=
(F)=



REF.	LEV.	PARTS NO.	DESCRIPTION	Q'TY						I	R
				(A)	(B)	(C)	(D)	(E)	(F)		
1	1	129795-48800	STRAINER	1	1						
2	2	XTST25S001	BODY	1	1						
3	2	XTST25S002	BOLT M 8X125	1	1						
4	2	XTST25S003	PIPE, OUTER	1	1						
5	2	XTST25S004	PLUG M 8	1	1						
6	2	XTST25S005	PACKING	1	1						
7	2	26664-080002	CAP NUT M 8	1	1						
8	2	XTST25S007	COVER	1	1						
9	2	XTST25S008	PACKING	2	2						
10	2	XTST25S009	FILTER	1	1						
11	2	24311-000060	O-RING 1A P-6.0	1	1						
12	1	23072-101000	HOSE (25/33X1000)	1	1						
13	1	129670-49500	CLIP, HOSE	2	2						
14	1	26116-080302	BOLT 8X30	2	2						
15	1	26703-080002	NUT M 8	2	2						

Fig.26. BILGE PUMP(STD/OPTIONAL)



OCR10-G63601 26. BILGE PUMP(STD/OPTIONAL)

(A)=4JH4-TE
(B)=4JH4-HTE
(C)=

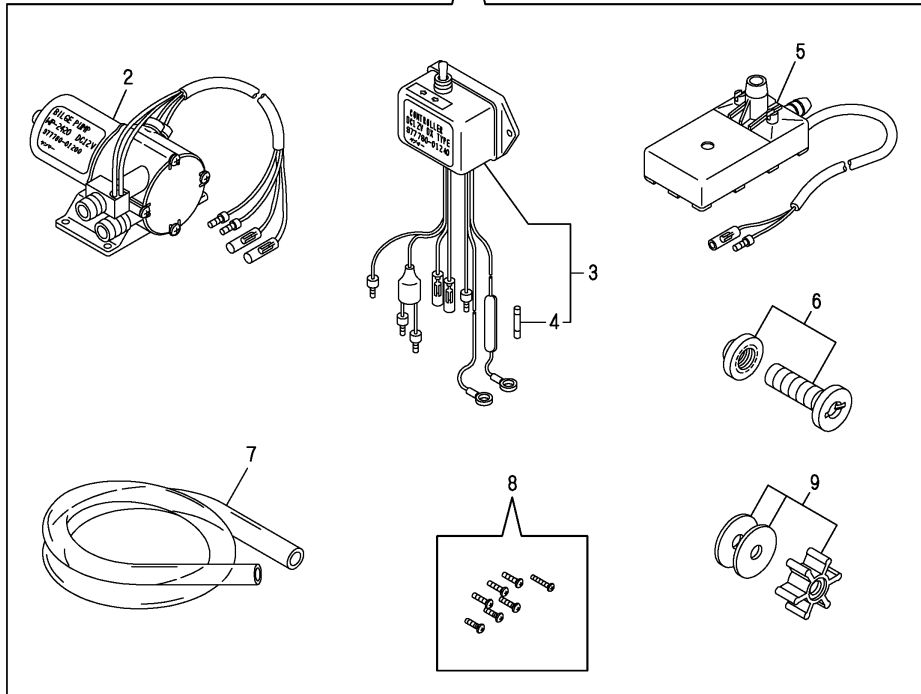
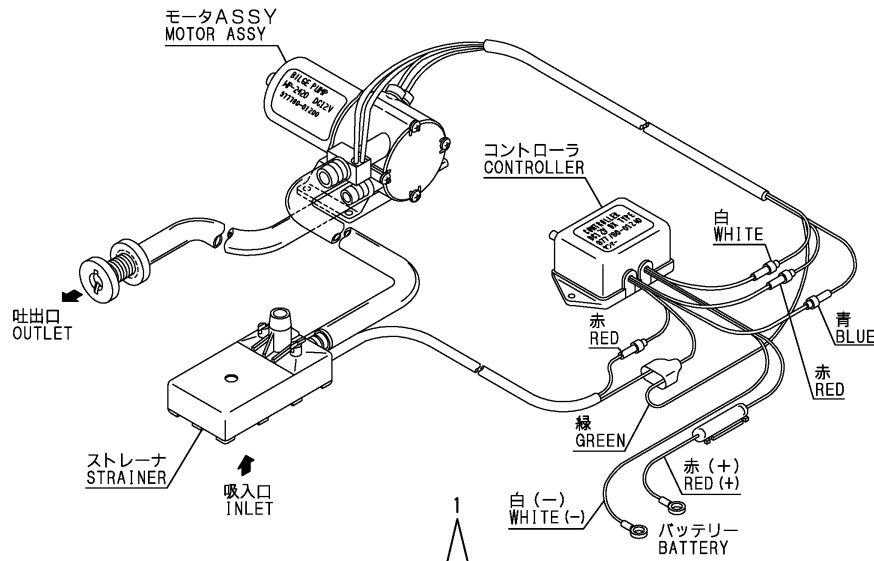
(D)=
(E)=
(F)=

REF.	LEV.	PARTS NO.	DESCRIPTION	QTY						I	R
				(A)	(B)	(C)	(D)	(E)	(F)		
1	1	977780-01210	PUMP(12V).BILGE	1	1						
2	2	977780-01230	MOTOR ASSY(BILG PUMP	1	1						
3	2	977780-01250	CONTROLLER	1	1						
4	3	X8636008003	FUSE	1	1						
5	2	X179100021X	STRAINER	1	1						
6	2	X179100100X	PIPE ASSY	1	1						
7	2	X0044021509	HOSE A	1	1						
8	2	X199903800X	SCREW KIT	1	1						
9	2	977780-03000	INPELLER	1	1						

Fig.27. BILGE PUMP(DX/OPTIONAL)

(A)=4JH4-TE
(B)=4JH4-HTE
(C)=

(D)=
(E)=
(F)=

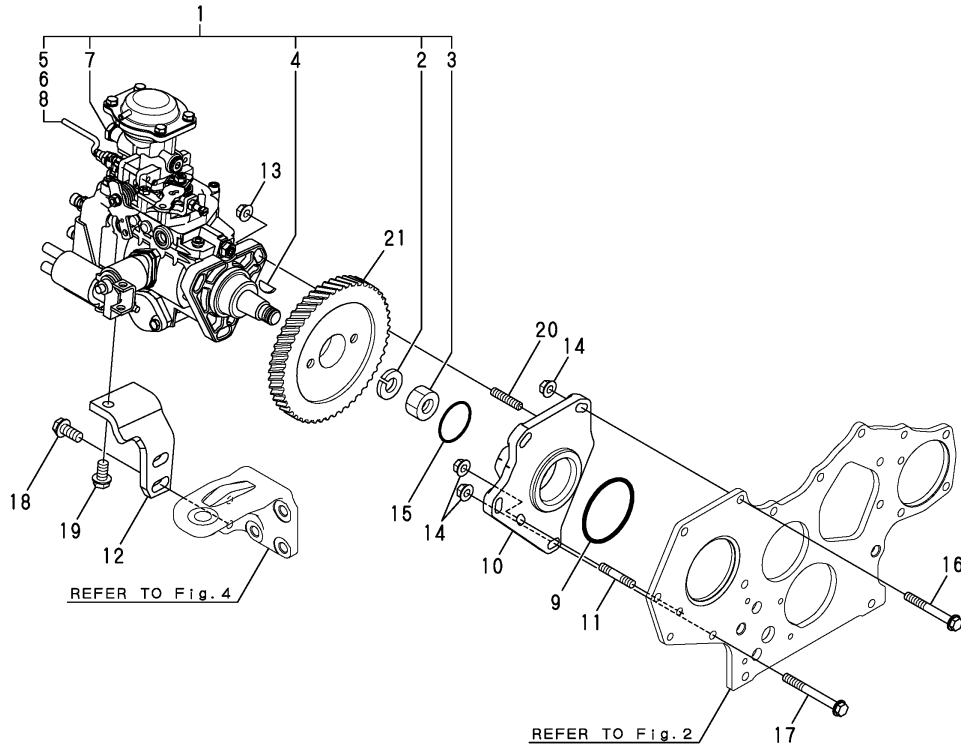


REF.	LEV.	PARTS NO.	DESCRIPTION	QTY						I	R
				(A)	(B)	(C)	(D)	(E)	(F)		
1	1	977780-01200	PUMP(12V).BILGE	1	1						
2	2	977780-01230	MOTOR ASSY(BILG PUMP	1	1						
3	2	977780-01240	CONTROLLER	1	1						
4	3	X8636008003	FUSE	1	1						
5	2	X179100011X	STRAINER	1	1						
6	2	X179100100X	PIPE ASSY	1	1						
7	2	X0044021509	HOSE A	1	1						
8	2	X199903800X	SCREW KIT	1	1						
9	2	977780-03000	INPELLER	1	1						

Fig.28. FUEL INJECTION PUMP

(A)=4JH4-TE
(B)=4JH4-HTE
(C)=

(D)=
(E)=
(F)=

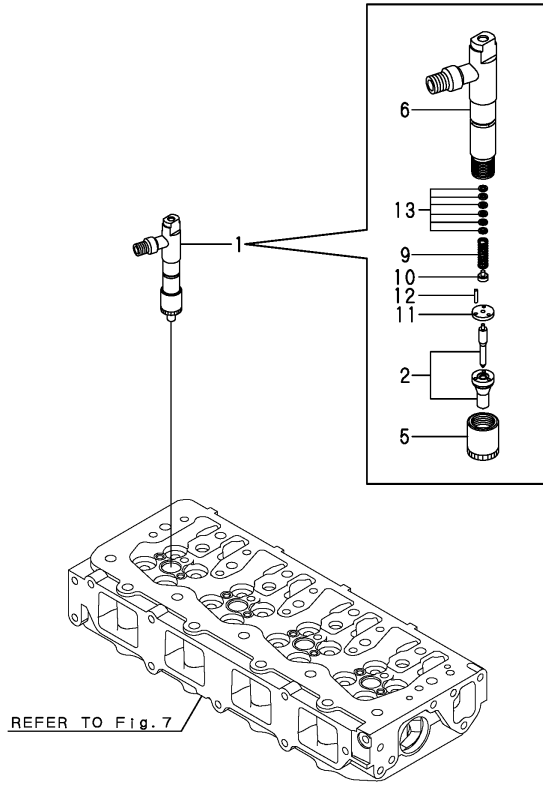


REF.	LEV.	PARTS NO.	DESCRIPTION	QTY						I	R
				(A)	(B)	(C)	(D)	(E)	(F)		
1	1	129671-51950	PUMP ASSY, INJECTION	1							
1A	1	129672-51950	PUMP ASSY, INJECTION		1						
2	2	X0293214050	SPRING WASHER	1	1						
3	2	X0131214140	NUT	1	1						
4	2	X0294704030	WOODRUFF KEY	1	1						
5	2	119171-67200	SOLENOID, FUEL CUT	1	1						
6	2	129693-67210	SPRING	1	1						
7	2	119171-59200	BOLT, PIPE JOINT	1	1						
8	2	X1466584820	WIRE	1	1						
9	1	121850-51960	O-RING, F.I.PUMP	1	1						
10	1	129673-54030	BRACKET, PUMP	1	1						
11	1	121450-01560	STUD, M8X22	1	1						
12	1	129673-51251	RETAINER, PUMP	1	1						
13	1	26306-080002	NUT, M8	3	3						
14	1	26306-080002	NUT, M8	5	5						
15	1	24341-000500	O-RING 1A S-50.0	1	1						
16	1	26106-080652	BOLT M 8X 65 PLATED	3	3						
17	1	26106-080752	BOLT M 8X 75 PLATED	1	1						
18	1	26106-100182	BOLT M10X 18 PLATED	1	1						
19	1	26106-100222	BOLT M10X 22 PLATED	2	2						
20	1	26216-080282	STUD M 8X 28 PLATED	3	3						
21	1	129671-25920	GEAR, FUEL PUMP JH4	1	1						

Fig.29. FUEL INJECTION VALVE

(A)=4JH4-TE
(B)=4JH4-HTE
(C)=

(D)=
(E)=
(F)=



REF.	LEV.	PARTS NO.	DESCRIPTION	Q'TY						I	R
				(A)	(B)	(C)	(D)	(E)	(F)		
1	1	729671-53110	VALVE ASSY,INJECTION	4							
1A	1	729672-53110	VALVE ASSY,INJECTION		4						
2	2	129671-53010	VALVE ASSY,INJECTION	4							
2A	2	129672-53010	VALVE ASSY,INJECTION		4						
5	2	114250-53080	NUT, CASE	4	4						
6	2	129508-53100	HOLDER ASSY, NOZZLE	4	4						
9	2	114250-53120	SPRING, NOZZLE	4	4						
10	2	114250-53130	SEAT, SPRING	4	4						
11	2	114250-53140	PLATE, STOP	4	4						
12	2	114250-53210	PIN	8	8						
13	2	114250-53400	SHIM SET	4	4						

Fig.30. FUEL INJECTION PIPE

(A)=4JH4-TE
(B)=4JH4-HTE
(C)=

(D)=
(E)=
(F)=

REF.	LEV.	PARTS NO.	DESCRIPTION	Q'TY						I	R
				(A)	(B)	(C)	(D)	(E)	(F)		
1	1	123907-11601	SEAL	4	4						
2	1	119305-59120	RETAINER	4	4						
5	2	129150-59131	BOLT M4X14,HEX.SCKT.	4	4						
7	1	129671-59810	PIPE ASSY, INJECTION	1	1						
8	1	129671-59820	PIPE ASSY, INJECTION	1	1						
9	1	129671-59830	PIPE ASSY, INJECTION	1	1						
10	1	129671-59840	PIPE ASSY, INJECTION	1	1						

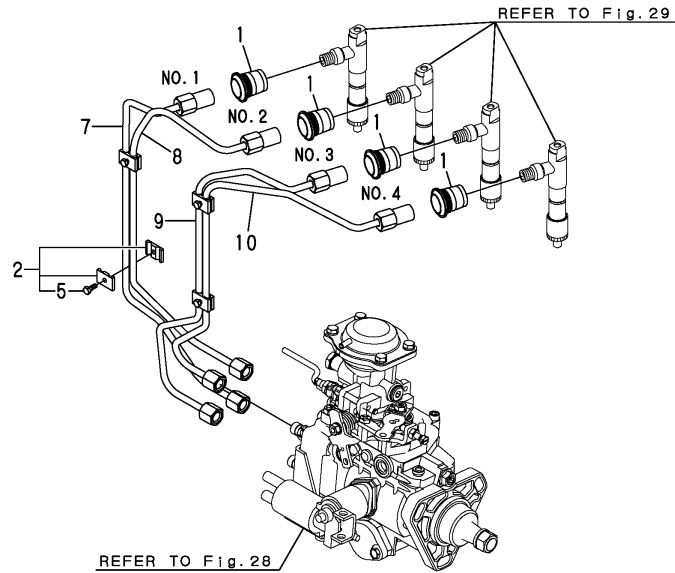
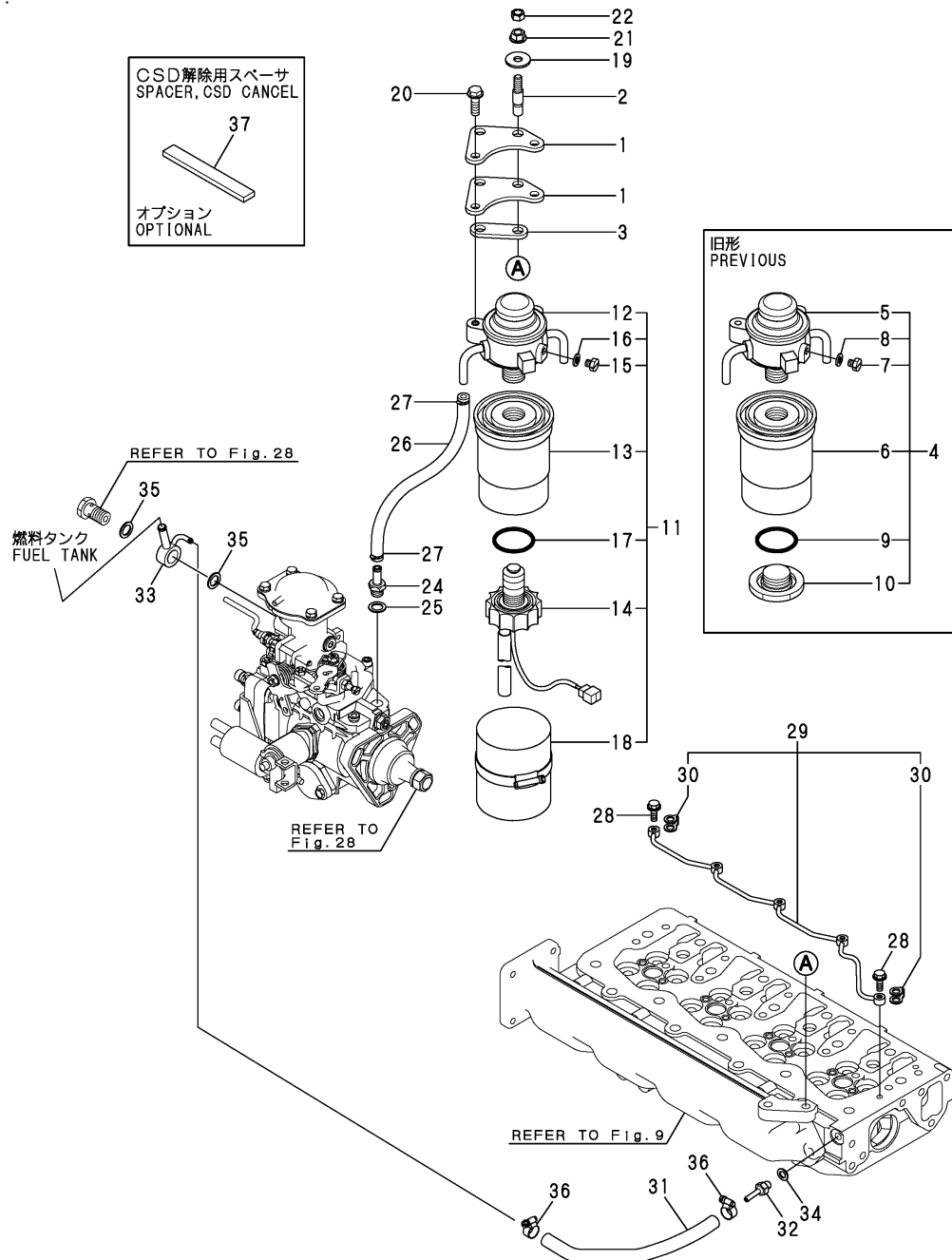


Fig.31. FUEL PIPE & FUEL STRAINER

(A)=4JH4-TE
(B)=4JH4-HTE
(C)=

(D)=
(E)=
(F)=

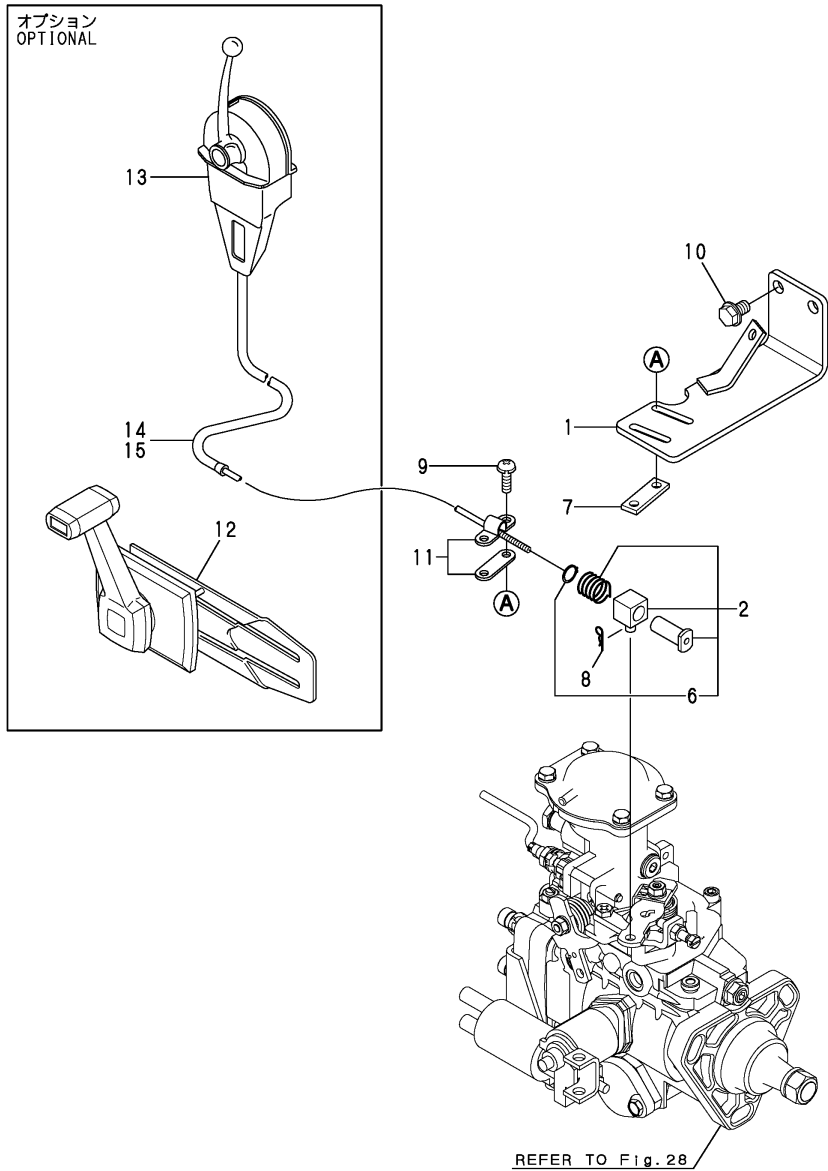


REF.	LEV.	PARTS NO.	DESCRIPTION	QTY						I	R
				(A)	(B)	(C)	(D)	(E)	(F)		
1	1	129673-55650	BRACKET(FO-FILTER	2	2						
2	1	129671-55660	BOLT, BRACKET	2	2						
3	1	129670-55700	RUBBER	1	1						
4	1	129574-55810 (A=*2006.06)	STRAINER ASSY W/O S	1							Z
5	2	129574-55700 (A=*2006.06)	BODY ASSY	1							Z
6	2	129574-55711 (A=*2006.06)	FILTER, CARTRIDGE	1							Z
7	2	121857-55750 (A=*2006.06)	PLUG	1							Z
8	2	121857-55760 (A=*2006.06)	WASHER	1							Z
9	2	129574-55780 (A=*2006.06)	O-RING	1							Z
10	2	129574-55840 (A=*2006.06)	DRAIN PLUG	1							Z
11	1	129574-55820	STRAINER ASSY, FUEL	1	1						
12	2	129574-55700	BODY ASSY	1	1						
13	2	129574-55711	FILTER, CARTRIDGE	1	1						
14	2	129574-55730	SENSOR	1	1						
15	2	121857-55750	PLUG	1	1						
16	2	121857-55760	WASHER	1	1						
17	2	129574-55780	O-RING	1	1						
18	2	129574-55830	COVER, FILTER	1	1						
19	1	22137-080000	WASHER 8, POLISHED	2	2						
20	1	26106-080252	BOLT M 8X 25 PLATED	2	2						
21	1	26306-080002	NUT, M8	2	2						
22	1	26716-080002	NUT M 8	2	2						
24	1	119171-59910	JOINT, PIPE	1	1						
25	1	22190-120002	SEAL WASHER 12	1	1						
26	1	128990-59540	PIPE, FUEL	1	1						
27	1	23000-016000	CLAMP 16	2	2						
28	1	123907-59540	BOLT, JOINT M6	5	5						
29	1	129508-59550	PIPE ASSY, RETURN	1	1						
30	2	123907-59550	PACKING	5	5						
31	1	119187-59562	PIPE, FUEL OIL	1	1						
32	1	123907-59560	JOINT	1	1						
33	1	129574-59990	JOINT, PIPE	1							
33-1	1	129574-59991 (A=*2006.07)	JOINT, PIPE	1	1						R
34	1	22190-080002	SEAL WASHER 8S	1	1						
35	1	22190-120002	SEAL WASHER 12	2	2						
36	1	23000-013000	CLAMP 13	2	2						
37	1	129671-51990	SPACER, CSD CANCEL	1	1						

Fig.33. CABLE SUPPORT

(A)=4JH4-TE
(B)=4JH4-HTE
(C)=

(D)=
(E)=
(F)=



REF.	LEV.	PARTS NO.	DESCRIPTION	QTY						I	R
				(A)	(B)	(C)	(D)	(E)	(F)		
1	1	129693-67102	BRACKET	1	1						
2	1	105311-67200	RETAINER, JOINT	1	1						
6	2	22242-000100	CIRCLIP 10	1	1						
7	1	121574-86320	RETAINER	1	1						
8	1	22414-250150	COTTER PIN 2.5X15	1	1						
9	1	26022-050162	SCREW M 5X 16	2	2						
10	1	26106-080122	BOLT M 8X 12 PLATED	2	2						
11	1	41710-000410	CLAMP	1	1						
12	1	128170-86501	REMOCON HEAD (MN	1	1						
13	1	41730-000681	MT-3 REMO-CON	1	1						
14	1	41710-000380	CABLE L=4000	2	2						
15	1	129470-86500	CABLE,REMO-CON.(7M)	2	2						

Fig.34. CLUTCH

OCR10-G63601 34. CLUTCH

(A)=4JH4-TE
(B)=4JH4-HTE
(C)=

(D)=
(E)=
(F)=

REF.	LEV.	PARTS NO.	DESCRIPTION	Q'TY						I	R
				(A)	(B)	(C)	(D)	(E)	(F)		
1	1	129672-81000	CLUTCH, KM4A2 I=1.47	1	1						
2	1	129672-81010	CLUTCH, KM4A2 I=2.14	1	1						
3	1	129672-81020	CLUTCH, KM4A2 I=2.63	1	1						
4	1	129673-81010	MARINE GEAR I=2.04	1	1						
5	1	129673-81020	MARINE GEAR I=2.45	1	1						
6	1	129673-81100	MARINE GEAR,ZF25A	1	1						
7	1	129673-81110	MARINE GEAR,ZF25A	1	1						
8	1	129673-81200	MIRINE GEAR,ZF30M	1	1						
9	1	129673-81210	MIRINE GEAR,ZF30M	1	1						
10	1	26106-100302	BOLT M10X 30 PLATED	8	8						
11	1	26226-100222	STUD M10X 22 PLATED	2	2						
12	1	26716-100002	NUT 10	2	2						

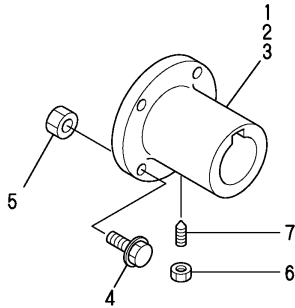
Remarks
THIS FIGURE ARE NOT ILLUSTRATED.

Fig.35. COUPLING(OPTIONAL)

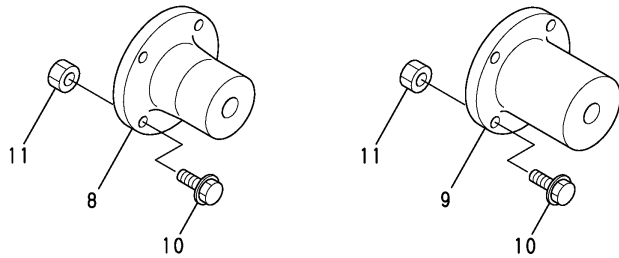
(A)=4JH4-TE
(B)=4JH4-HTE
(C)=

(D)=
(E)=
(F)=

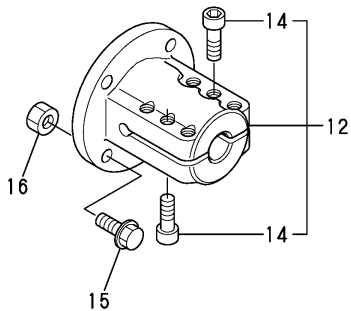
テーパカップリング
TAPER COUPLING



ストレートカップリング
STRAIGHT COUPLING



スリットカップリング
SLIT COUPLING

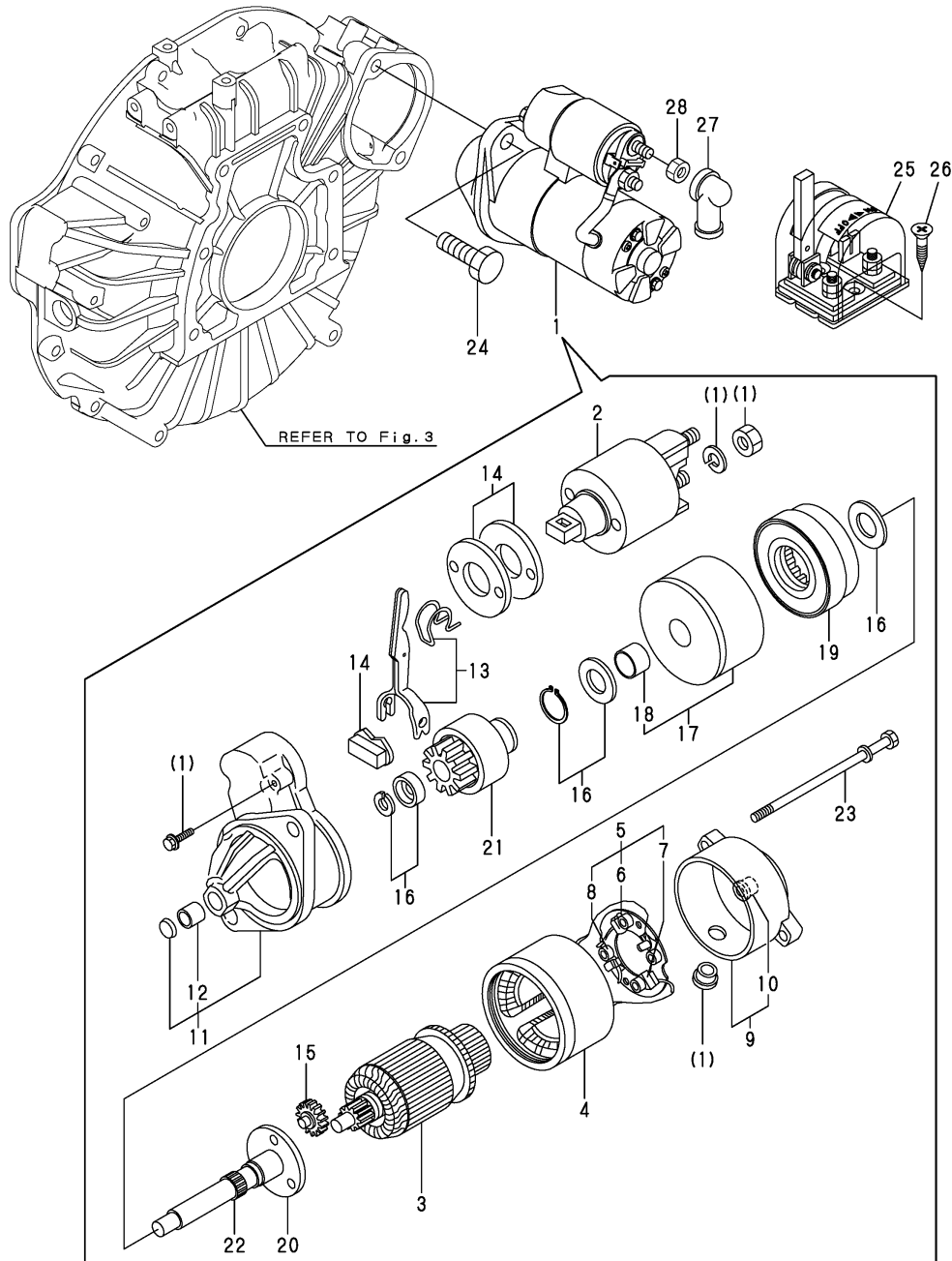


REF.	LEV.	PARTS NO.	DESCRIPTION	QTY						I	R
				(A)	(B)	(C)	(D)	(E)	(F)		
1	1	129473-85900	COUPLING, TAPER 38	1	1						
2	1	129473-85910	COUPLING, TAPER 40	1	1						
3	1	48110-034071	COUPLING, TAPER 34	1	1						
4	1	26106-100322	BOLT M10X 32 PLATED	4	4						
5	1	26706-100002	NUT M10	4	4						
6	1	26756-080002	LOCK NUT M 8 PLATED	1	1						
7	1	48110-032411	SCREW	1	1						
8	1	129470-85900	COUPLING	1	1						
9	1	129673-85100	CUPLING STRAIGHT ZF	1	1						
10	1	26106-100322	BOLT M10X 32 PLATED	4	4						
11	1	26706-100002	NUT M10	4	4						
12	1	129470-83750	COUPLING ASSY	1	1						
14	2	26450-120402	BOLT M12X 40	6	6						
15	1	26106-100322	BOLT M10X 32 PLATED	4	4						
16	1	26706-100002	NUT M10	4	4						

Fig.36. STARTING MOTOR

(A)=4JH4-TE
(B)=4JH4-HTE
(C)=

(D)=
(E)=
(F)=

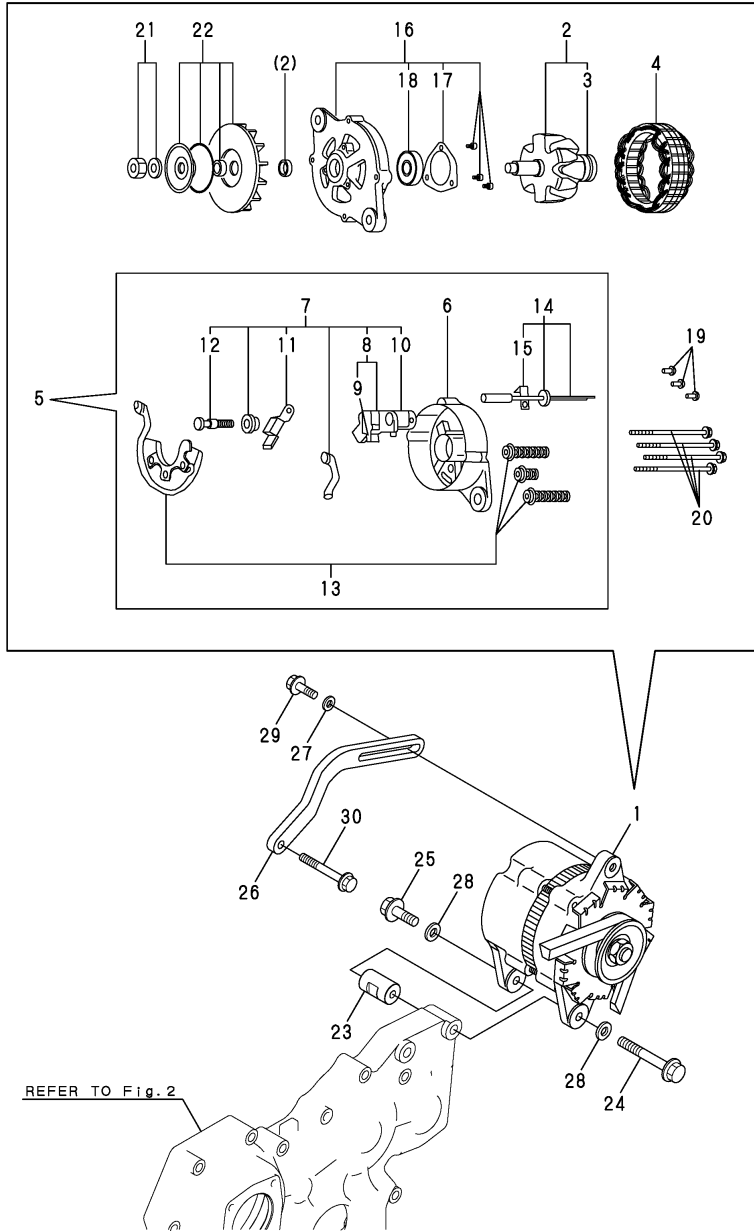


REF.	LEV.	PARTS NO.	DESCRIPTION	QTY						I	R
				(A)	(B)	(C)	(D)	(E)	(F)		
1	1	129608-77010	STARTER	1	1						
2	2	129698-77020	MAGNETIC SWITCH ASSY	1	1						
3	2	129698-77101	ARMATURE ASSY	1	1						
4	2	129608-77110	YOKE ASSY	1	1						
5	2	129698-77120	HOLDER ASSY, BRUSH	1	1						
6	3	129698-77140	BRUSH(+) SET	1	1						
7	3	129698-77130	BRUSH (-)	2	2						
8	3	129698-77150	SPRING, BRUSH	4	4						
9	2	129698-77161	COVER ASSY, REAR	1	1						
10	3	129698-77170	REAR COVER METAL	1	1						
11	2	129698-77260	HOUSING ASSY, GEARS	1	1						
12	3	X2114535200	METAL, STARTER	1	1						
13	2	129698-77270	LEVER SET, SHIFT	1	1						
14	2	129698-77280	COVER ASSY, DUST	1	1						
15	2	129698-77240	GEAR	3	3						
16	2	129698-77250	WASHER SET	1	1						
17	2	129698-77180	BRACKET	1	1						
18	3	129698-77190	BRACKET	1	1						
19	2	129698-77200	GEAR, INTERNAL	1	1						
20	2	129698-77210	BRACKET	1	1						
21	2	129698-77220	PINION ASSY	1	1						
22	2	129698-77230	SHAFT(PINION	1	1						
23	2	124195-77770	THROUGH BOLT	2	2						
24	1	26116-120302	BOLT M12X 30 PLATED	2	2						
25	1	123310-77640	SWITCH, BATTERY	1	1						
26	1	22724-800380	SCREW, M8X38	2	2						
27	1	124550-77030	COVER, TERMINAL	1	1						
28	1	26756-080002	LOCK NUT M 8 PLATED	1	1						

Fig.37. GENERATOR

(A)=4JH4-TE
(B)=4JH4-HTE
(C)=

(D)=
(E)=
(F)=



REF.	LEV.	PARTS NO.	DESCRIPTION	QTY						I	R
				(A)	(B)	(C)	(D)	(E)	(F)		
1	1	119573-77201	ALTERNATOR(12V-80A	1	1						
2	2	XL180G61000	ROTOR ASSY	1	1						
3	3	119129-77320	BALL BEARING	1	1						
4	2	XL180120000	STATOR ASSY	1	1						
5	2	XL180G63006	COVER ASSY, REAR	1	1						
6	3	XL180G13012	COVER, REAR	1	1						
7	3	XL180G43150	BRUSH ASSY,REGULATOR	1	1						
8	4	XL155G1330	BRUSH ASSY	1	1						1
9	4	XL225G1325	BRUSH SET	2	2						
10	4	124080-77390	REGULATOR ASSY	1	1						
11	4	XL225431800	CONDENSER	1	1						
12	4	124080-77520	BOLT M5	2	2						
13	3	XL1808320	DIODE ASY	1	1						
14	3	119129-77250	WIRE	1	1						
15	4	119129-77260	CLAMP, LEAD WIRE	1	1						
16	2	XL235340110	COVER ASSY, FRONT	1	1						
17	3	XL150M14041	RETAINER	1	1						
18	3	X6303BM0000	BALL BEARING	1	1						
19	2	119129-77930	SCREW KIT	1	1						
20	2	119129-77890	BOLT, THROUGH	4	4						
21	2	119129-77900	NUT ASSY, PULLEY	1	1						
22	2	XL180G85001	PULLEY ASSY	1	1						
23	1	129670-77350	SPACER,GENERATOR	1	1						
24	1	129695-77370	BOLT 10X 75	1							
24-1	1	129695-77371	BOLT, M10X70	1	1						N
		(A=*2006.04)									
25	1	129695-77380	BOLT 10X 30	1	1						
26	1	129670-77430	ADJUSTER, BELT	1	1						
27	1	22137-080000	WASHER 8, POLISHED	1	1						
28	1	22137-100000	WASHER 10,POLISHED	2	2						
29	1	26106-080252	BOLT M 8X 25 PLATED	1	1						
30	1	26106-080652	BOLT M 8X 65 PLATED	1	1						

Remarks
(1)INC.9

Fig.39. V-BELT COVER

(A)=4JH4-TE
(B)=4JH4-HTE
(C)=

(D)=
(E)=
(F)=

REF.	LEV.	PARTS NO.	DESCRIPTION	QTY						I	R
				(A)	(B)	(C)	(D)	(E)	(F)		
1	1	129671-77400	COVER, BELT	1	1						
2	1	129671-77410	BOLT, BELT COVER	1	1						
3	1	129271-77420	BOLT, BELT COVER	2	2						
4	1	128990-77430	COLLAR, BRACKET	3	3						
5	1	128990-77610	GROMMET	3	3						
6	1	22157-080000	WASHER 8	3	3						
7	1	26306-080002	NUT, M8	3	3						

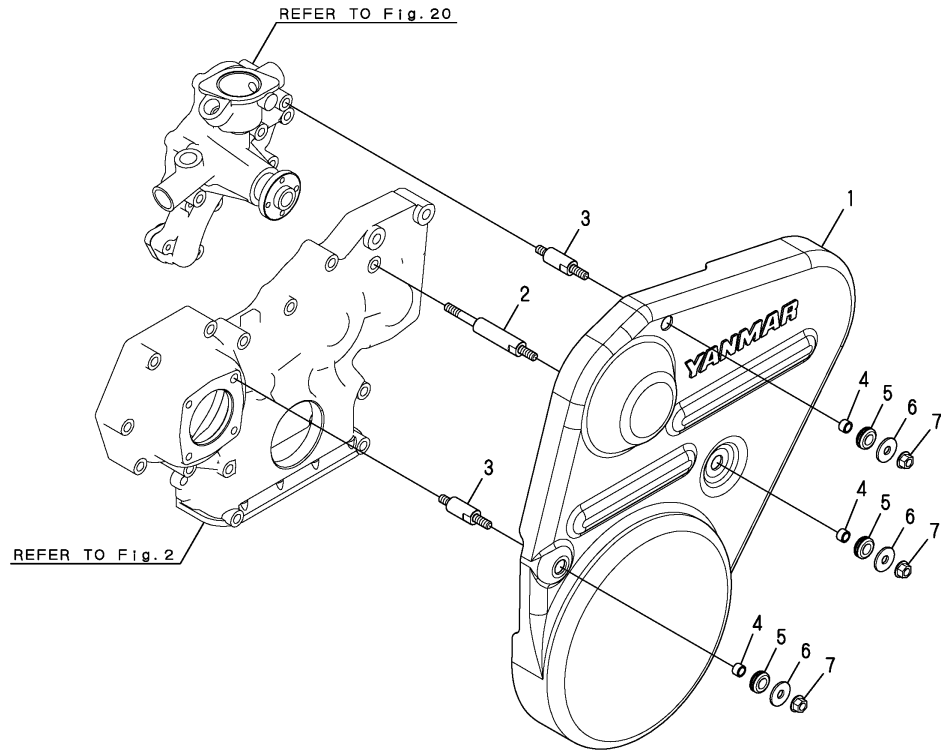
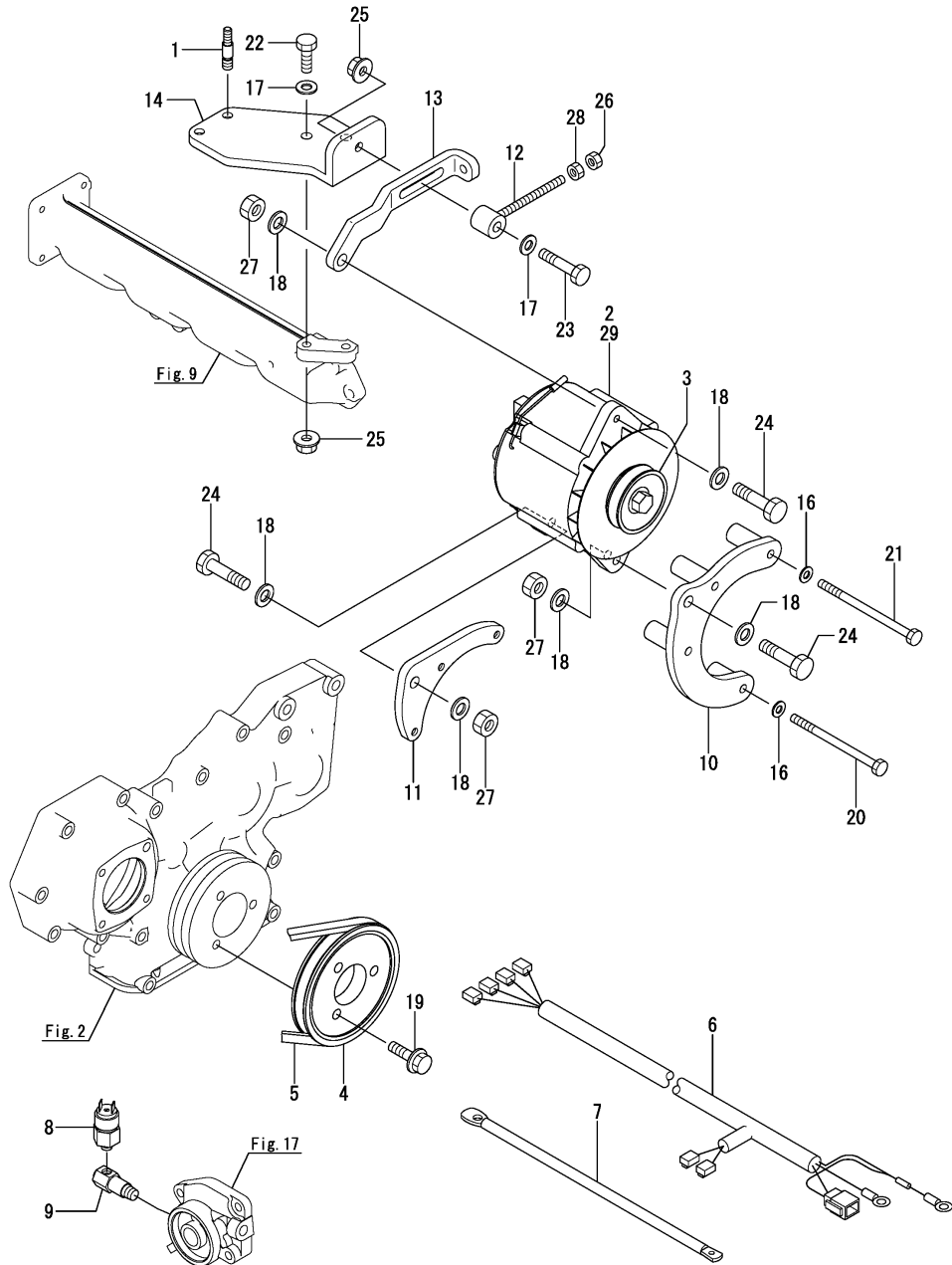


Fig.41. GENERATOR(130A) & GENERATOR ATTACHMENT PART(OPTIONAL)



OCR10-G63601 41. GENERATOR(130A) & GENERATOR ATTACHMENT PART(OPTIONAL)

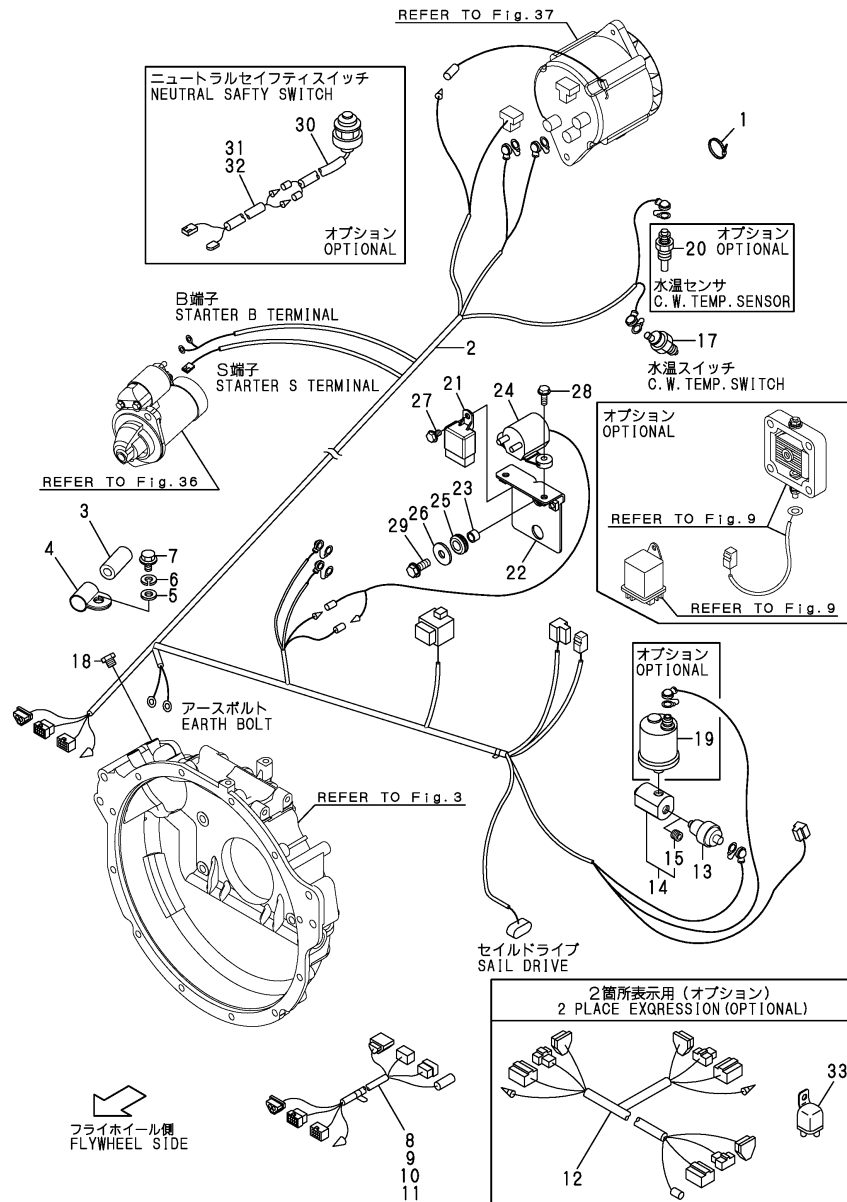
(A)=4JH4-TE (D)=
 (B)=4JH4-HTE (E)=
 (C)= (F)=

REF.	LEV.	PARTS NO.	DESCRIPTION	QTY						I	R
				(A)	(B)	(C)	(D)	(E)	(F)		
1	1	129671-55660	BOLT, BRACKET	2	2						
2	1	129271-77220	ALTERNATOR, 12V-130A	1	1						
3	1	129271-77240	PULLEY,ALTERNATOR	1	1						
4	1	129271-77250	PULLEY,CRANK	1	1						
5	1	129671-77260	BELT,6PK1088	1	1						
6	1	129271-77270	WIREHARNES,ALTERNAT	1	1						
7	1	129271-77280	GROUND CABLE	1	1						
8	1	129271-77290	SWITCH,OIL PRESSURE	1	1						
9	1	129271-77320	DAMPER CMP(R 1/4	1	1						
10	1	129671-77340	BRACKET,ALT FRONT	1	1						
11	1	129671-77350	BRACKET,ALT REAR	1	1						
12	1	129671-77360	ADJUSTER,ALTERNATOR	1	1						
13	1	129671-77370	BRACKET,ADJUSTER	1	1						
14	1	129671-77380	BRACKET,FO FILTER	1	1						
16	1	22137-080000	WASHER 8, POLISHED	7	7						
17	1	22137-100000	WASHER 10,POLISHED	3	3						
18	1	22137-120000	WASHER 12,POLISHED	6	6						
19	1	26106-100352	BOLT M10X 35 PLATED	3	3						
20	1	26116-081202	BOLT M 8X120 PLATED	1	1						
21	1	26116-081302	BOLT M 8X130 PLATED	3	3						
22	1	26116-100304	BOLT M10X 30 PLATED	2	2						
23	1	26116-100502	BOLT M10X 50 PLATED	1	1						
24	1	26116-120502	BOLT M12X 50	3	3						
25	1	26366-100002	NUT M10	3	3						
26	1	26716-080002	NUT M 8	5	5						
27	1	26716-120002	NUT 12	3	3						
28	1	26756-080002	LOCK NUT M 8 PLATED	1	1						
29	1	129271-77230	ALTERNATOR, 24V-75A	1	1						

Fig.42. WIRE HARNESS & SENSOR

(A)=4JH4-TE
(B)=4JH4-HTE
(C)=

(D)=
(E)=
(F)=



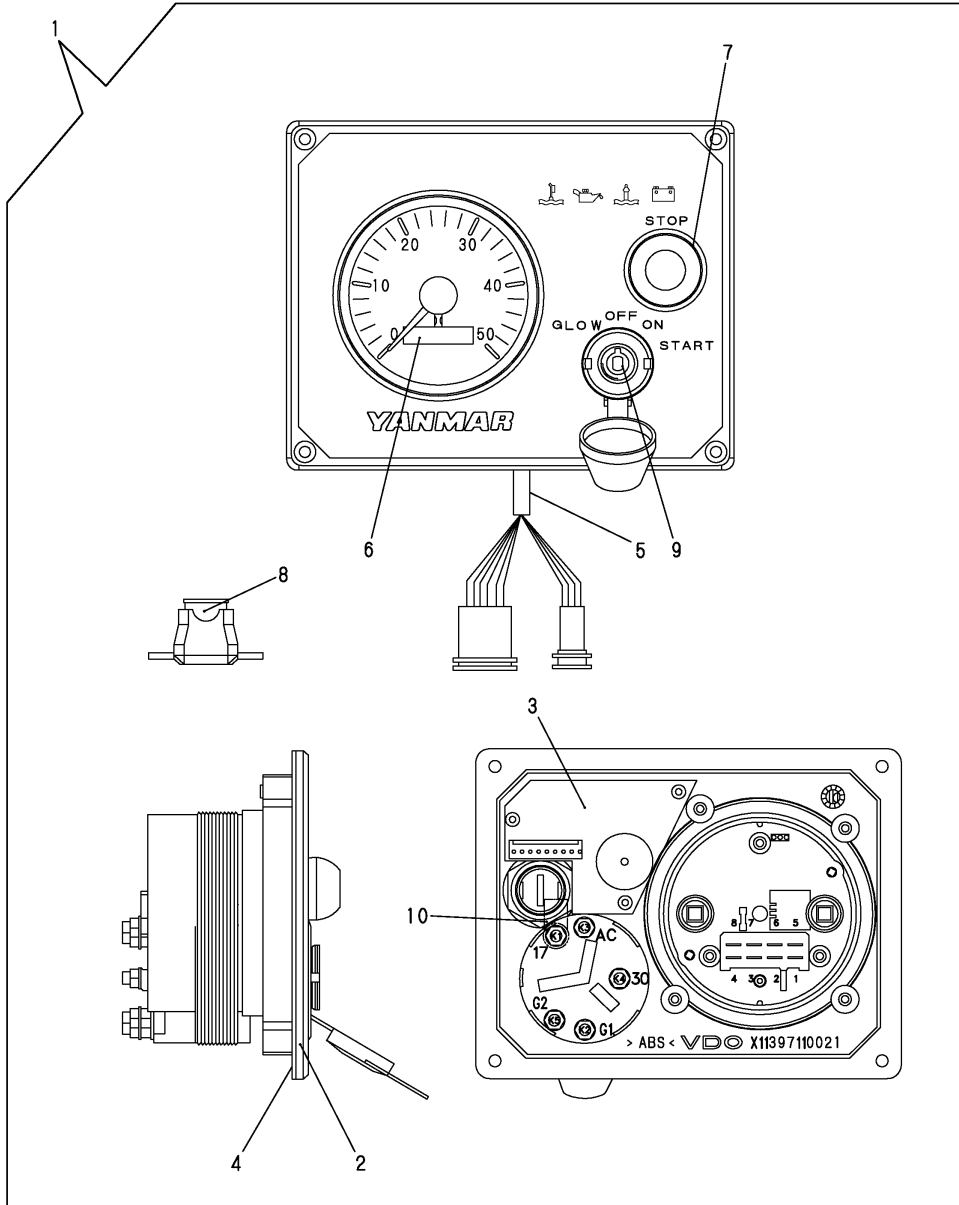
REF.	LEV.	PARTS NO.	DESCRIPTION	QTY						I	R
				(A)	(B)	(C)	(D)	(E)	(F)		
1	1	194250-51660	BAND 250	1	1						
2	1	129671-77910	HARNESS, WIRE	1	1						
3	1	124770-77940	PROTECTOR	1	1						
3-1	1	129670-77940	PROTECTOR	1	1						R
		(A=EXXX) (B=EXXX)									
4	1	124070-77950	CLAMP, WIRE	1	1						
4-1	1	23297-180081	RETAINER, A18X8	1	1						N
		(A=EXXX) (B=EXXX)									
5	1	22137-080000	WASHER 8, POLISHED	1	1						
6	1	22217-080000	WASHER, 8	1	1						
7	1	26106-080162	BOLT M 8X 16 PLATED	1	1						
8	1	128391-77720	HARNESS, WIRE	1	1						
9	1	129574-77710	HARNESS, WIRE(4M)	1	1						
10	1	129574-77720	HARNESS, WIRE(6M)	1	1						
11	1	129574-77740	HARNESS, WIRE	1	1						
12	1	129574-77980	HARNESS, WIRE	1	1						
13	1	124060-39452	SWITCH, OIL PRESSURE	1	1						
14	1	129670-39600	DAMPER ASSY	1	1						
15	2	23875-010000	PLUG, PT1/8	1	1						
17	1	120130-91370	SWITCH, THERMO(100 C	1	1						
18	1	23887-180002	PLUG 18	1	1						
19	1	119773-91650	SENDER, UNIT	1	1						1
20	1	119773-91700	SENDER, UNIT	1	1						1
21	1	119247-77100	RELAY, SAFETY	1	1						
22	1	128990-77400	BRACKET, RELAY	1	1						
23	1	128990-77430	COLLAR, BRACKET	2	2						
24	1	120270-77511	RELAY, MAGNETIC	1	1						Z
		(A=EXXX) (B=EXXX)									
24-1	1	128990-77550	RELAY, MAGNET	1	1						N
		(A=EXXX) (B=EXXX)									
25	1	128990-77610	GROMMET	2	2						
26	1	22157-080000	WASHER 8	2	2						
27	1	26106-060102	BOLT 6X 10 PLATED	1	1						
28	1	26106-060162	BOLT M 6X 16 PLATED	2	2						
29	1	26106-080202	BOLT M 8X 20 PLATED	2	2						
30	1	120270-77101	SWITCH, SAFETY	1	1						
31	1	129570-77960	HARNESS, WIRE	1	1						2
32	1	177074-06350	HARNESS, WIRE	1	1						3
33	1	119773-91850	RELAY	1	1						

Remarks
(1)C-PANEL
(2)KM4A2
(3)KMH4A

Fig.43. INSTRUMENT PANEL(B-TYPE/OPTIONAL)

(A)=4JH4-TE
(B)=4JH4-HTE
(C)=

(D)=
(E)=
(F)=



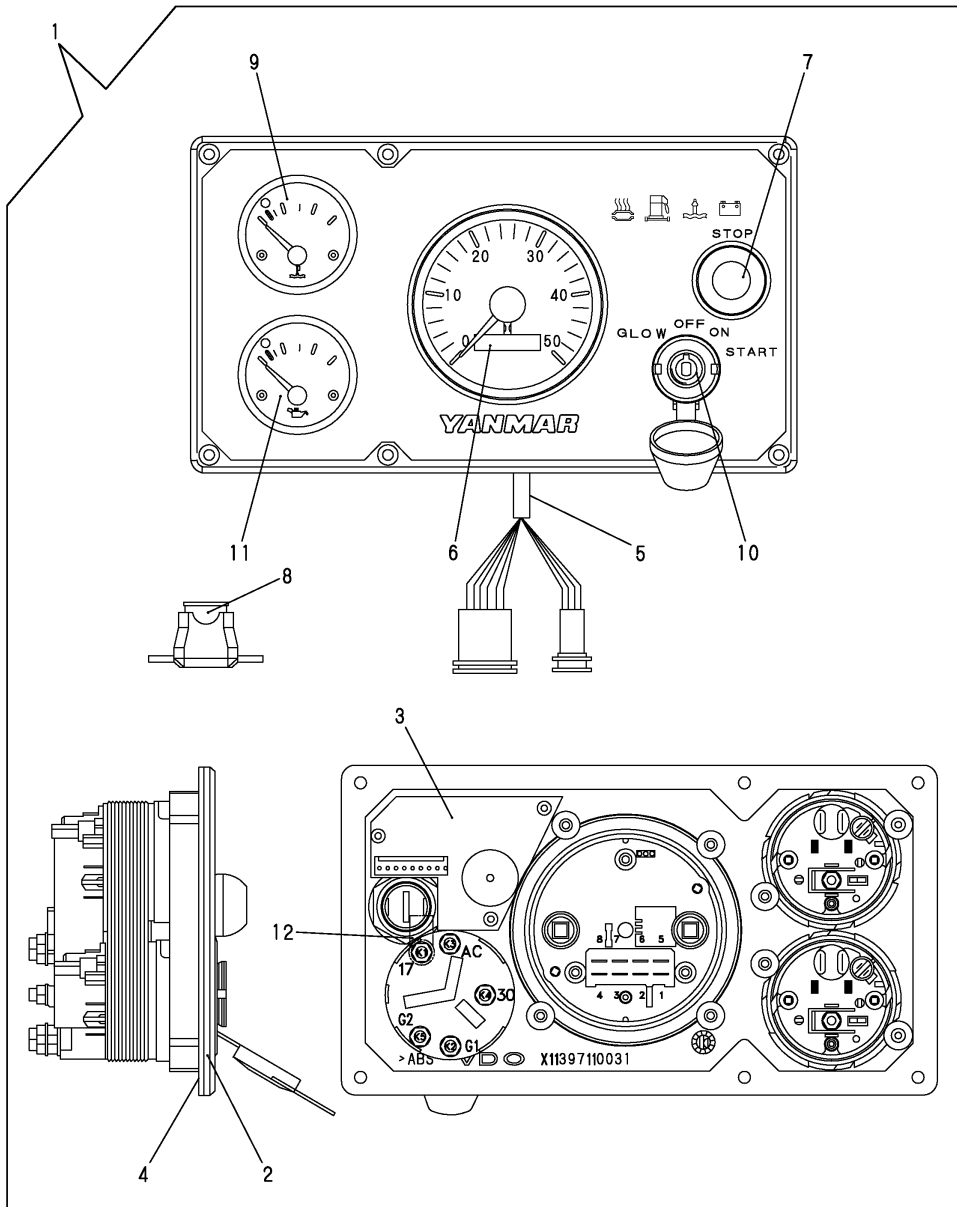
REF.	LEV.	PARTS NO.	DESCRIPTION	QTY						I	R	
				(A)	(B)	(C)	(D)	(E)	(F)			
1	1	129271-91110	PANEL, INSTRUMENT B	1								
1-1	1	129271-91111	PANEL, INSTRUMENT B	1	1							N
(A=*2006.02)												
2	2	129271-91120	PANEL, B	1	1							
3	2	129271-91130	CIRCUIT WITH LED&BZR	1	1							
4	2	129271-91140	SEAL, RUBBER	1	1							
5	2	129271-91150	HARNES,B PANEL	1	1							
6	2	129271-91210	TACHOMETER	1	1							
7	2	129271-91220	SWITCH, STOP	1	1							
8	2	129271-91230	FUSE,PANEL (3A)	1	1							
9	2	127412-91250	SWITCH W/KEY	1	1							
10	2	129271-91260	CAP, RUBBER	1	1							W

(A=*2006.02)

Fig.44. INSTRUMENT PANEL(C-TYPE/OPTIONAL)

(A)=4JH4-TE
(B)=4JH4-HTE
(C)=

(D)=
(E)=
(F)=

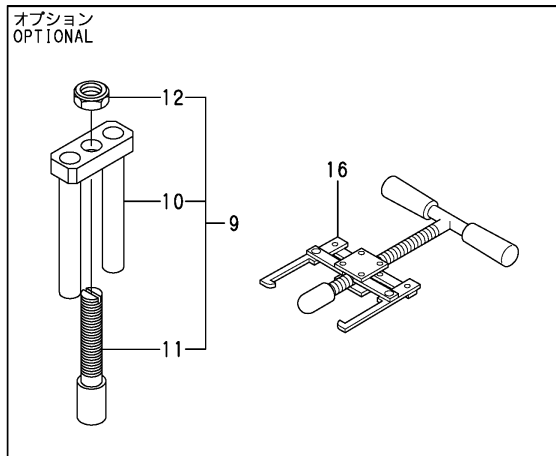
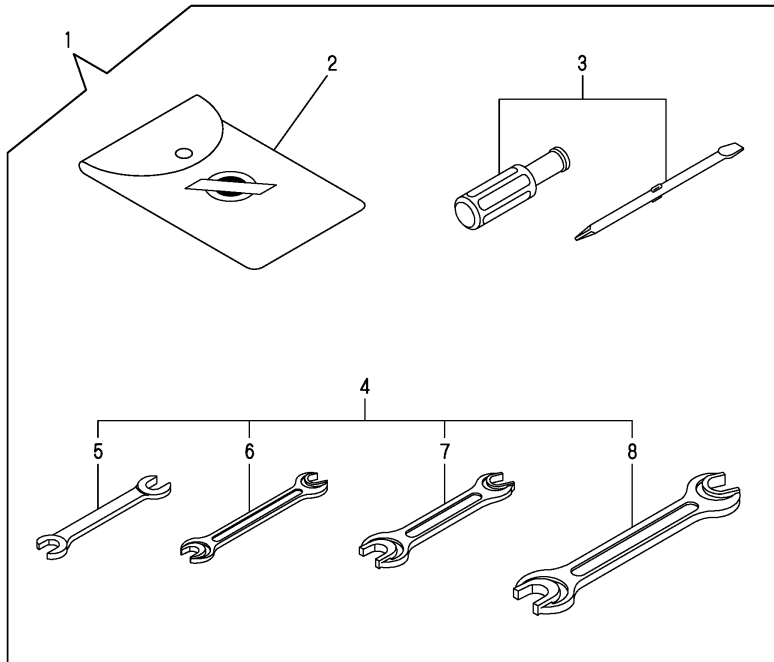


REF.	LEV.	PARTS NO.	DESCRIPTION	QTY						I	R
				(A)	(B)	(C)	(D)	(E)	(F)		
1	1	129271-91160	PANEL, INSTRUMENT C	1							
1-1	1	129271-91161	PANEL, INSTRUMENT C	1	1						N
(A=*2006.02)											
2	2	129271-91170	PANEL WITH COVERFOIL	1	1						
3	2	129271-91180	CIRCUIT	1	1						
4	2	129271-91190	RUBBER SEAL,C PANEL	1	1						
5	2	129271-91200	HARNES, WIRE	1	1						
6	2	129271-91210	TACHOMETER	1	1						
7	2	129271-91220	SWITCH, STOP	1	1						
8	2	129271-91230	FUSE,PANEL (3A)	1	1						
9	2	129271-91240	METER, WATER TEMP.	1	1						
10	2	127412-91250	SWITCH W/KEY	1	1						
11	2	129271-91250	GAUGE, PRESSURE	1	1						
12	2	129271-91260	CAP, RUBBER	1	1						W
(A=*2006.02)											

Fig.45. TOOL

(A)=4JH4-TE
(B)=4JH4-HTE
(C)=

(D)=
(E)=
(F)=

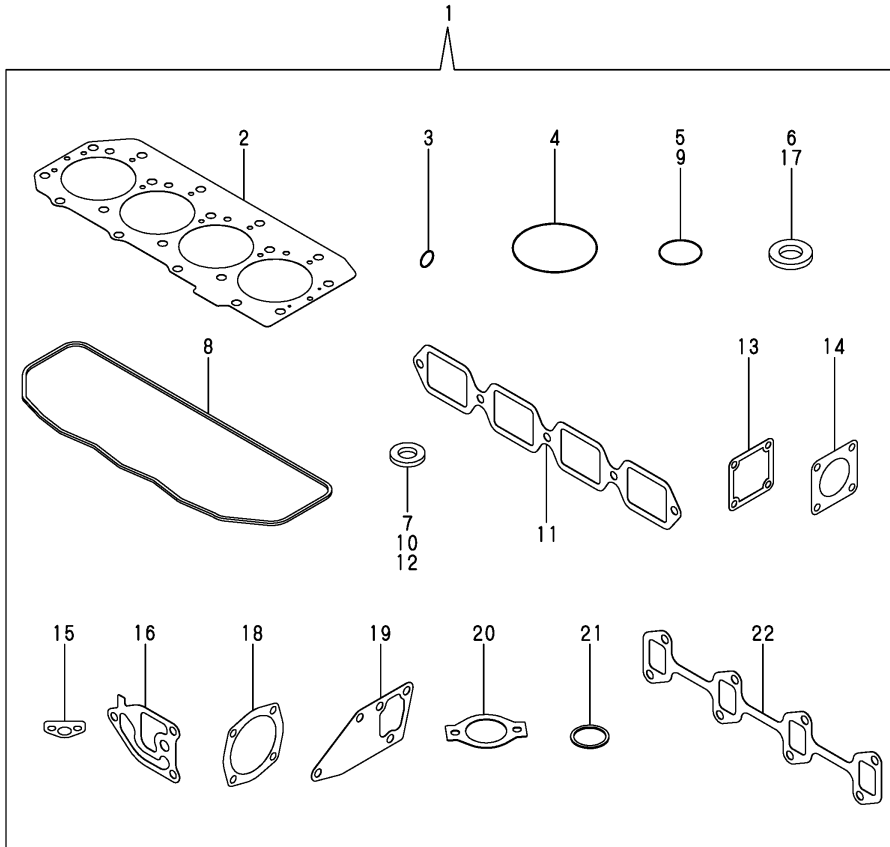


REF.	LEV.	PARTS NO.	DESCRIPTION	Q'TY						I	R
				(A)	(B)	(C)	(D)	(E)	(F)		
1	1	129270-92100	TOOL KIT	1	1						
2	2	129270-92600	BAG, TOOL	1	1						
3	2	129270-92650	DRIVER	1	1						
4	2	129270-92690	WRENCH ASSY	1	1						
5	3	129270-92610	WRENCH, 10X13	1	1						
6	3	129270-92620	WRENCH, 12X14	1	1						
7	3	129270-92630	WRENCH, 17X19	1	1						
8	3	129270-92640	WRENCH, 22X24	1	1						
9	1	129470-92300	TOOL ASSY.	1	1						
10	2	129470-92310	TOOL,NOZZLE REMOVE A	1	1						
11	2	129470-92320	TOOL,NOZZLE REMOVE B	1	1						
12	2	26716-120002	NUT 12	1	1						
13	1	129671-92110	PULLER ASSY,IMPELLER	1	1						
14	2	129671-92120	PULLER, IMPELLER	1	1						
15	2	129671-92130	BOLT, M10X40	1	1						
16	1	129671-92100	TOOL, IMPELLER PULL	1	1						

Fig.46. GASKET SET(OPTIONAL)

(A)=4JH4-TE
(B)=4JH4-HTE
(C)=

(D)=
(E)=
(F)=



REF.	LEV.	PARTS NO.	DESCRIPTION	QTY						I	R
				(A)	(B)	(C)	(D)	(E)	(F)		
1	1	729671-92600	GASKET SET	1	1						
2	2	129693-01341	GASKET, HEAD	1	1						
3	2	24311-000160	O-RING 1A P-16.0	2	2						
4	2	121850-51960	O-RING, F.I.PUMP	1	1						
5	2	24311-000320	O-RING 1A P-32.0	1	1						
6	2	22190-120002	SEAL WASHER 12	3	3						
7	2	23414-160000	GASKET 16, ROUND	2	2						
8	2	129508-11310	GASKET, BONNET	1	1						
9	2	24311-000120	O-RING 1A P-12.0	3	3						
10	2	23414-100000	GASKET 10, ROUND	3	3						
11	2	129671-12130	GASKET, MANIFOLD	1	1						
12	2	23414-080000	GASKET 8, ROUND	2	2						
13	2	129150-77511	GASKET, AIR HEATER	1	1						
14	2	129472-18090	GASKET	1	1						
15	2	129150-35042	GASKET, PIPE	1	1						
16	2	129103-35122	GASKET	1	1						
17	2	22190-100002	WASHER, 10	2	2						
18	2	129150-01881	GASKET, COVER	2	2						
19	2	129486-42050	GASKET, PUMP	1	1						
20	2	129795-49551	GASKET, COVER	1	1						
21	2	129470-49810	GASKET, THERMOSTAT	1	1						
22	2	129550-13110	GASKET, EXH.MANIFOLD	1	1						

Part Number Index

All parts are stipulated in the order of part numbers.

(Depending on the area in which the part is used.)

This index will display the location of the part according to each part number.

PARTS No. INDEX

PARTS No.	Fig.	Ref.No.
104214-39720	5	18
104407-44480	11	26
105311-67200	33	2
105425-01690	5	2
105430-55041	32	8
114250-53080	29	5
114250-53120	29	9
114250-53130	29	10
114250-53140	29	11
114250-53210	29	12
114250-53400	29	13
119129-77250	37	14
119129-77260	37	15
119129-77320	37	3
119129-77890	37	20
119129-77900	37	21
119129-77930	37	19
119171-59200	28	7
119171-59910	31	24
119171-67200	28	5
119172-07540	6	18
119174-25060	14	12
119187-59562	31	31
119247-77100	42	21
119305-59120	30	2
119573-77201	37	1
119620-49290	17	18
	21	22
	23	10
119625-11880	7	24
119717-11190	7	15
119717-11340	7	16
119717-11350	7	17
119717-11800	7	8
119773-42570	19	10
119773-91650	42	19
119773-91700	42	20
119773-91850	42	33
119802-03070	8	4
119802-11870	7	23
119802-21660	15	8
120130-91370	42	17
120149-08441	4	8
120270-77101	42	30
120270-77511	42	24
121111-21501	15	11
121450-01560	2	4
	28	11
121550-23200	16	13
121574-86320	33	7

PARTS No.	Fig.	Ref.No.
121750-59890	17	35
	40	4
121850-21680	15	10
121850-51960	28	9
	46	4
121857-55750	31	7
		15
121857-55760	31	8
		16
123310-77640	36	25
123325-49421	10	15
123682-07852	6	5
123900-77700	38	2
123900-77730	38	3
123901-39820	18	11
123907-11550	7	47
123907-11601	30	1
123907-11830	7	21
123907-59540	31	28
123907-59550	31	30
123907-59560	31	32
124060-39452	42	13
124070-77950	42	4
124080-77390	37	10
124080-77520	37	12
124160-01751	8	1
124160-01910	1	6
		32
	17	13
124160-11360	8	12
124160-39140	18	1
124195-77770	36	23
124223-39900	18	4
124240-01871	2	9
124413-39100	17	33
124413-39710	18	3
124460-77680	11	31
	12	31
	17	31
	21	31
	23	13
124550-01590	2	5
124550-21600	15	15
124550-77030	36	27
124736-07900	7	48
124770-77940	42	3
124976-34850	1	45
127412-91250	43	9
	44	10
127675-82650	23	6

PARTS No.	Fig.	Ref.No.
128170-13600	11	24
	12	24
	21	29
128170-86501	33	12
128271-77200	38	1
128271-77730	38	4
128271-77740	38	5
128271-77750	38	6
128377-07150	6	1
128377-07190	6	12
128377-07260	6	2
128377-07270	6	3
128377-07350	6	4
128377-07400	6	13
128377-07420	6	14
128377-07450	6	15
128377-07460	6	16
128391-77720	42	8
128397-44500	21	34
128397-44510	21	36
128990-49320	20	31
		32
128990-59131	32	2
128990-59540	31	26
128990-59700	32	1
128990-77400	42	22
128990-77430	39	4
	40	6
	42	23
128990-77550	42	24 -1
128990-77610	39	5
	40	9
	42	25
128990-77910	9	13
129001-01250	1	5
129001-02930	1	25
129001-02931	1	25 -1
129006-03120	8	6
129054-42320	20	6
129100-01580	15	2
129100-77500	9	10
129100-77510	9	11
129103-35122	17	16
	46	16
129150-01200	1	37
129150-01881	19	20
	46	18
129150-02020	1	8
129150-02450	14	4
129150-02870	1	39

PARTS No.	Fig.	Ref.No.
129150-02871	1	39 -1
129150-02930	1	28
129150-02931	1	28 -1
129150-02940	1	42
129150-02941	1	42 -1
129150-03070	8	5
129150-11230	7	38
		42
129150-11750	7	20
		40
		44
129150-14101	14	7
129150-14200	14	1
129150-14400	14	2
129150-23600	16	14
129150-23601	16	14 -1
129150-23610	16	16
129150-23611	16	16 -1
129150-25020	14	10
129150-25052	14	11
129150-32020	17	2
129150-35042	17	4
	46	15
129150-35153	17	17
129150-42059	20	2
129150-42300	20	4
129150-42301	20	4 -1
129150-42319	20	5
129150-59131	30	5
129150-77511	9	7
		12
	13	19
	46	13
129156-44760	20	18
129171-49900	22	41
	23	39
129189-21200	15	5
129198-59540	9	23
129263-42120	20	3
129270-44501	21	35
129270-92100	45	1
129270-92600	45	2
129270-92610	45	5
129270-92620	45	6
129270-92630	45	7
129270-92640	45	8
129270-92650	45	3
129270-92690	45	4
129271-21350	40	1
129271-42001	20	1

PARTS No. INDEX

PARTS No.	Fig.	Ref.No.
129271-42510	19	8
129271-49110	24	15
129271-77220	41	2
129271-77230	41	29
129271-77240	41	3
129271-77250	41	4
129271-77270	41	6
129271-77280	41	7
129271-77290	41	8
129271-77320	41	9
129271-77420	22	19
		25
		30
		35
	23	19
		28
		33
	39	3
	40	5
129271-77430	40	7
129271-77921	9	16
129271-77931	40	10
129271-91110	43	1
129271-91111	43	1 -1
129271-91120	43	2
129271-91130	43	3
129271-91140	43	4
129271-91150	43	5
129271-91160	44	1
129271-91161	44	1 -1
129271-91170	44	2
129271-91180	44	3
129271-91190	44	4
129271-91200	44	5
129271-91210	43	6
	44	6
129271-91220	43	7
	44	7
129271-91230	43	8
	44	8
129271-91240	44	9
129271-91250	44	11
129271-91260	43	10
	44	12
129301-34830	5	13
	18	8
129410-03990	8	16
129417-33110	17	11
129470-01710	5	7
129470-07230	7	50

PARTS No.	Fig.	Ref.No.
129470-12301	9	4
129470-49801	20	27
129470-49810	20	28
	46	21
129470-83750	35	12
129470-85900	35	8
129470-86500	33	15
129470-92300	45	9
129470-92310	45	10
129470-92320	45	11
129472-13501	10	7
129472-13520	10	1
		12
129472-13550	10	13
129472-13560	10	9
		14
129472-18090	11	25
	12	25
	46	14
129472-39620	18	10
129473-34850	5	14
129473-34880	5	15
129473-35091	17	5
129473-49310	24	5
129473-85900	35	1
129473-85910	35	2
129474-18151	13	18
129474-18171	9	27
129474-18181	13	21
129486-42050	20	16
	46	19
129490-49070	22	39
	23	37
129508-03010	8	3
129508-11130	7	13
129508-11180	7	14
129508-11241	7	31
129508-11250	7	32
129508-11260	7	34
129508-11270	7	35
129508-11280	7	36
129508-11310	8	9
	46	8
129508-11350	8	2
129508-11650	7	37
129508-11660	7	41
129508-11820	7	22
129508-11900	7	25
129508-11920	7	45
129508-14580	14	3

PARTS No.	Fig.	Ref.No.
129508-53100	29	6
129508-59550	31	29
129550-13110	21	28
	46	22
129550-42350	20	17
129553-39650	1	35
129570-34880	5	27
129570-77960	42	31
129571-18130	9	6
129571-18140	9	9
129573-18120	13	9
129573-22301	16	7
129573-25090	14	16
129573-49540	20	25
129574-21590	15	12
129574-55700	31	5
		12
129574-55711	31	6
		13
129574-55730	31	14
129574-55780	31	9
		17
129574-55810	31	4
129574-55820	31	11
129574-55830	31	18
129574-55840	31	10
129574-59990	31	33
129574-59991	31	33 -1
129574-77710	42	9
129574-77720	42	10
129574-77740	42	11
129574-77980	42	12
129595-18132	13	24
129595-18141	9	20
	13	14
129595-18151	13	17
129608-77010	36	1
129608-77110	36	4
129670-07100	6	19
129670-08220	4	4
129670-08350	4	7
129670-34810	5	26
129670-39600	42	14
129670-42512	19	1
129670-42520	19	6
129670-42531	19	18
129670-42540	19	5
129670-42550	19	7
129670-42560	19	13
129670-42570	19	16

PARTS No.	Fig.	Ref.No.
129670-42580	19	19
129670-42700	19	21
129670-44570	21	37
129670-49290	11	27
	12	27
129670-49390	20	33
129670-49410	22	10
	23	42
129670-49500	10	21
		24
	22	5
		11
		18
		24
		29
		34
		40
	23	12
		18
		27
		32
		38
		43
	24	3
	25	13
129670-55700	31	3
129670-77350	37	23
129670-77430	37	26
129670-77940	42	3 -1
129670-81850	15	24
129671-03090	8	15
129671-07420	6	17
129671-07570	6	11
129671-07900	7	48 -1
129671-08150	4	1
129671-08160	4	2
129671-08210	4	3
129671-11700	7	1
129671-11900	8	17
129671-12120	9	1
129671-12130	9	2
	46	11
129671-13551	10	2
129671-13552	10	2 -1
129671-13570	10	5 -1
129671-18001	12	1
129671-18010	11	1
129671-22050	16	1
129671-25920	28	21
129671-32000	17	1

PARTS No. INDEX

PARTS No.	Fig.	Ref.No.
129671-39460	18	2
129671-42280	20	24 -1
129671-49010	22	1
129671-49020	22	2
129671-49030	22	7
129671-49100	22	32
129671-49110	22	3
		16
		21
		27
		33
	23	16
		24
		30
129671-49120	22	4
		9
129671-49220	24	1
129671-49230	22	13
	23	21
129671-49240	22	14
	23	22
129671-49310	24	10
129671-49320	24	11
129671-49330	24	12
129671-49410	17	26
129671-49430	20	19
129671-51950	28	1
129671-51990	31	37
129671-53010	29	2
129671-55660	31	2
	41	1
129671-55720	40	2
129671-59810	30	7
129671-59820	30	8
129671-59830	30	9
129671-59840	30	10
129671-77260	41	5
129671-77320	40	3
129671-77340	41	10
129671-77350	41	11
129671-77360	41	12
129671-77370	41	13
129671-77380	41	14
129671-77400	39	1
129671-77410	39	2
129671-77520	40	8
129671-77910	42	2
129671-92100	45	16
129671-92110	45	13
129671-92120	45	14

PARTS No.	Fig.	Ref.No.
129671-92130	45	15
129672-07420	6	17 A
129672-07570	6	11 A
129672-11100	7	11
129672-11110	7	12
129672-11510	7	18
129672-11700	7	1 A
129672-18100	13	1
129672-18110	13	1 -1
129672-18130	13	2 -1
129672-18140	13	3 -1
129672-18150	13	8 A
129672-18160	13	8 B
129672-18170	13	6 -1
129672-18180	13	8 -1
129672-18190	13	8 C
129672-18230	13	3
129672-22020	16	1 A
129672-33050	17	9
129672-33060	17	14
129672-35000	17	12
129672-44020	21	2
129672-44070	21	8
129672-44100	21	13
129672-44150	21	18
129672-44160	21	19
129672-44170	21	20
129672-44400	21	21
129672-44900	21	1
129672-49030	22	8
	23	40
129672-49050	23	4 -1
129672-49060	23	1 -1
129672-49070	23	8
129672-49230	23	9
129672-49240	23	41
129672-49260	24	2
129672-49310	17	22
129672-49320	17	23
129672-49340	17	25
129672-49410	22	17
	23	17
129672-49420	23	11
129672-49500	24	6
129672-51950	28	1 A
129672-53010	29	2 A
129672-81000	34	1
129672-81010	34	2
129672-81020	34	3
129673-01520	2	1

PARTS No.	Fig.	Ref.No.
129673-01620	3	1
129673-01700	5	1
129673-13551	10	19
129673-13552	10	19 -1
129673-18220	13	2
129673-18250	13	6
129673-44090	21	12
129673-44110	21	4
129673-44131	21	17
129673-44150	21	6
129673-44560	24	4
129673-49010	23	1
129673-49060	10	22
	23	7
129673-49110	10	20
129673-49150	10	23
129673-49410	22	22
	23	25
129673-49420	22	23
	23	26
129673-49430	22	28
	23	31
129673-51251	28	12
129673-54030	28	10
129673-55650	31	1
129673-81010	34	4
129673-81020	34	5
129673-81100	34	6
129673-81110	34	7
129673-81150	15	20
129673-81200	34	8
129673-81210	34	9
129673-81250	15	22
129673-81760	15	18
129673-85100	35	9
129693-01341	1	38
	46	2
129693-01520	2	3
129693-18450	9	22
129693-25100	14	13
129693-39601	18	9
129693-44300	7	27
129693-44310	21	30
129693-44420	21	11
		16
129693-49040	23	3
129693-49050	23	4
129693-67102	33	1
129693-67210	28	6
129695-77370	37	24

PARTS No.	Fig.	Ref.No.
129695-77371	37	24 -1
129695-77380	37	25
129698-21000	15	1
129698-49020	23	2
129698-77020	36	2
129698-77101	36	3
129698-77120	36	5
129698-77130	36	7
129698-77140	36	6
129698-77150	36	8
129698-77161	36	9
129698-77170	36	10
129698-77180	36	17
129698-77190	36	18
129698-77200	36	19
129698-77210	36	20
129698-77220	36	21
129698-77230	36	22
129698-77240	36	15
129698-77250	36	16
129698-77260	36	11
129698-77270	36	13
129698-77280	36	14
129795-01780	3	2
129795-01800	2	8
129795-01950	1	31
	2	10
129795-02411	1	11
129795-02412	1	11 -1
129795-21661	15	9
129795-48800	25	1
129795-49551	20	26
	46	20
129900-77810	38	7
129907-11950	7	26
129908-33101	17	10
129916-49740	20	7
138603-59380	32	4
171007-49400	11	30
	12	30
171051-01921	1	7
177050-02811	6	8
177050-02821	6	10
177061-02811	6	9
177073-02431	6	7
177074-06350	42	32
177090-03500	15	16
194250-51660	42	1
194440-51620	24	7
196440-02380	4	10

PARTS No. INDEX

PARTS No.	Fig.	Ref.No.
196440-02390	4	11
196440-04300	15	27
196630-12980	6	6
41710-000380	33	14
41710-000410	33	11
41730-000681	33	13
43530-500570	22	37
	23	35
43662-025030	22	38
	23	36
43720-001220	17	34
48110-032411	35	7
48110-034071	35	3
729573-23700	16	9
729671-01560	1	1
729671-53110	29	1
729671-92600	46	1
729672-53110	29	1 A
729692-22510	16	3
729692-22511	16	3 -1
796440-08630	4	9
83213-003012	32	7
977780-01200	27	1
977780-01210	26	1
977780-01230	26	2
	27	2
977780-01240	27	3
977780-01250	26	3
977780-03000	26	9
	27	9
X00190001	19	9
X00370017	19	15
X00371040	19	17
X0044021509	26	7
	27	7
X0131214140	28	3
X01357681	19	3
X0146531	19	4
X02230015	19	12
X02233001	19	14
X0293214050	28	2
X0294704030	28	4
X03431483	19	11
X1466584820	28	8
X179100011X	27	5
X179100021X	26	5
X179100100X	26	6
	27	6
X199903800X	26	8
	27	8

PARTS No.	Fig.	Ref.No.
X2114535200	36	12
X6303BM0000	37	18
X8636008003	26	4
	27	4
XL150M14041	37	17
XL155G1330	37	8
XL180120000	37	4
XL1808320	37	13
XL180G13012	37	6
XL180G43150	37	7
XL180G61000	37	2
XL180G63006	37	5
XL180G85001	37	22
XL225431800	37	11
XL225G1325	37	9
XL235340110	37	16
XNB131008	11	6
	12	5
XNB133206	11	23
	12	21
XNB133208	11	22
	12	22
XNB134007	11	15
	12	11
XNE923383	11	20
	12	16
XNE928722	11	16
XNE928727	12	13
XNN131008	11	5
	12	6
XNN131108	11	8
	12	8
XNN131536	11	7
	12	7
XNN131578	11	4
	12	3
XNN131579	11	3
	12	4
XNN131614	11	2
	12	2
XNN133021	11	10
XNN133022	12	18
XNN133208	11	21
	12	17
XNN133506	11	11
	12	19
XNN133596	11	12
	12	20
XNN133911	12	10
XNN133960	11	13

PARTS No.	Fig.	Ref.No.
XNN134035	11	14
	12	12
XNN136613	12	9
XNN136617	11	9
XNN137007	11	19
	12	14
XNN137055	11	17
	12	23
XNN137423	11	18
	12	15
XTST25S001	25	2
XTST25S002	25	3
XTST25S003	25	4
XTST25S004	25	5
XTST25S005	25	6
XTST25S007	25	8
XTST25S008	25	9
XTST25S009	25	10

PARTS No.	Fig.	Ref.No.
-----------	------	---------



YANMAR CO.,LTD.